

UTTERMOST

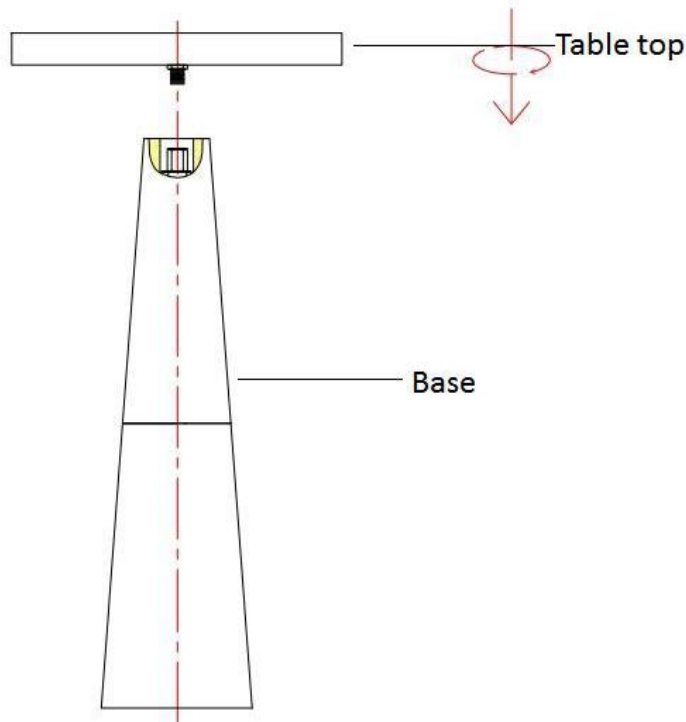
ASSEMBLY INSTRUCTIONS

STYLE#: 24982

Carefully unpack all Assembly parts from the carton.

1. Take Table carefully out of the Carton, and place the **Base** in an upright position on the floor.

3. Thread the **Table top** onto the top of **Base** carefully, and turn clockwise to tighten it.



24982