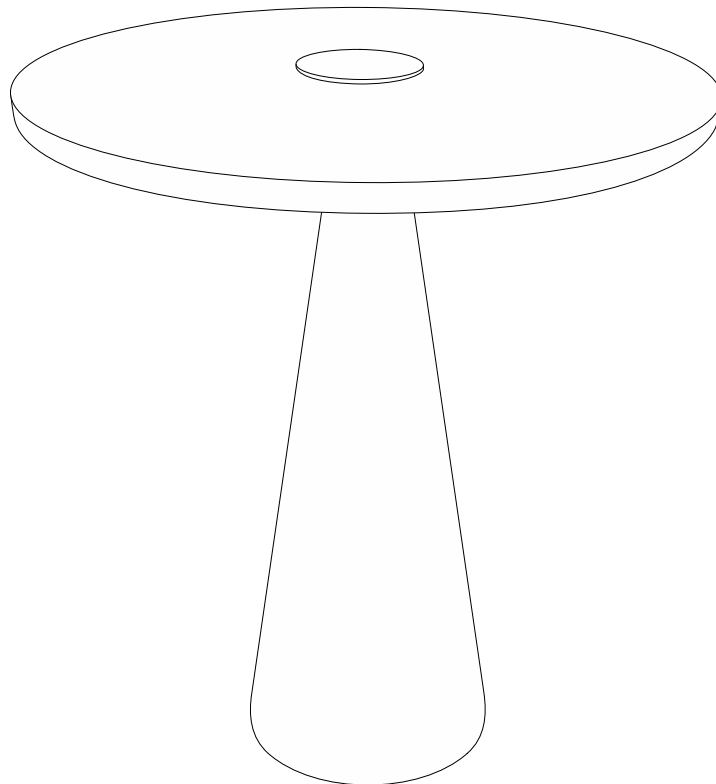


**ADDYSON MARBLE SIDE TABLE
TOV-OC18341**

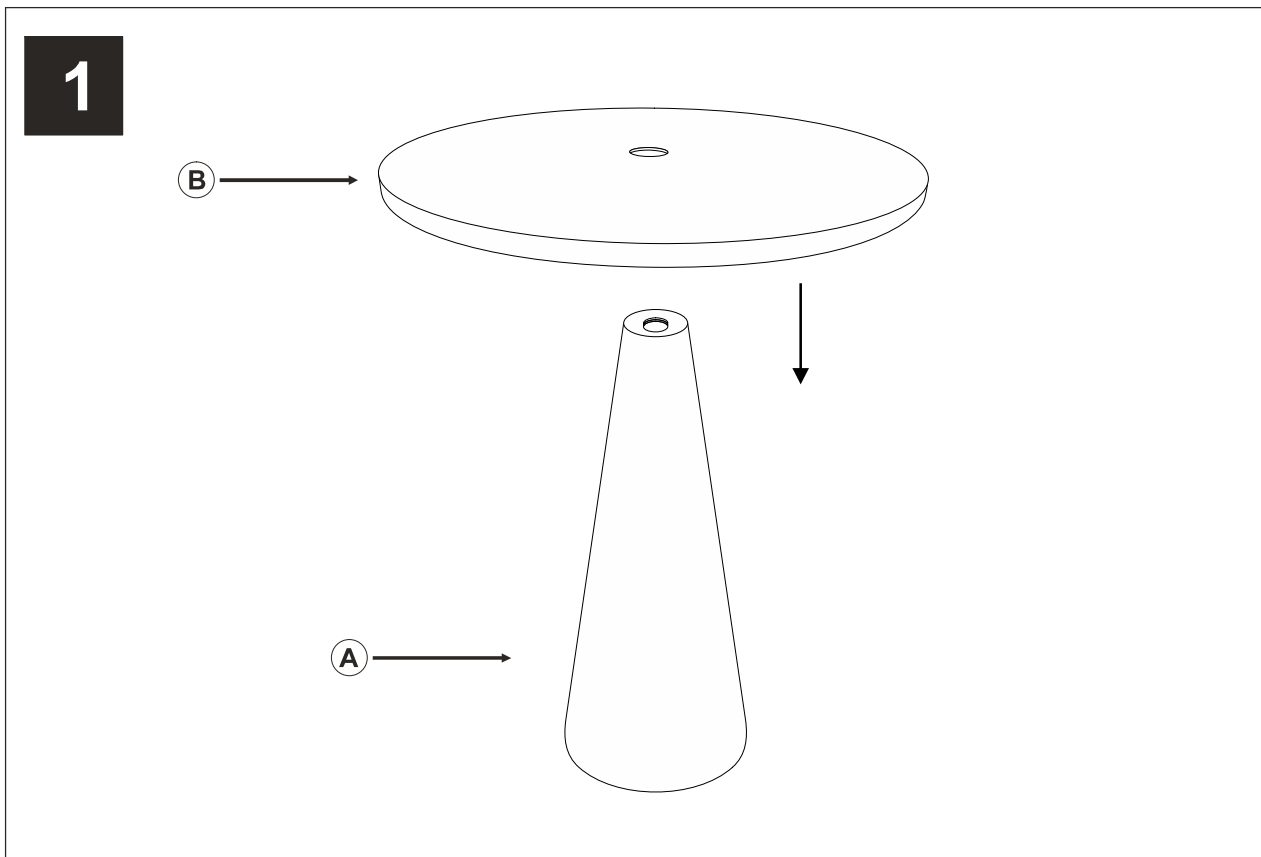
TOV

**ADDYSON MARBLE SIDE TABLE
ASSEMBLY INSTRUCTION**



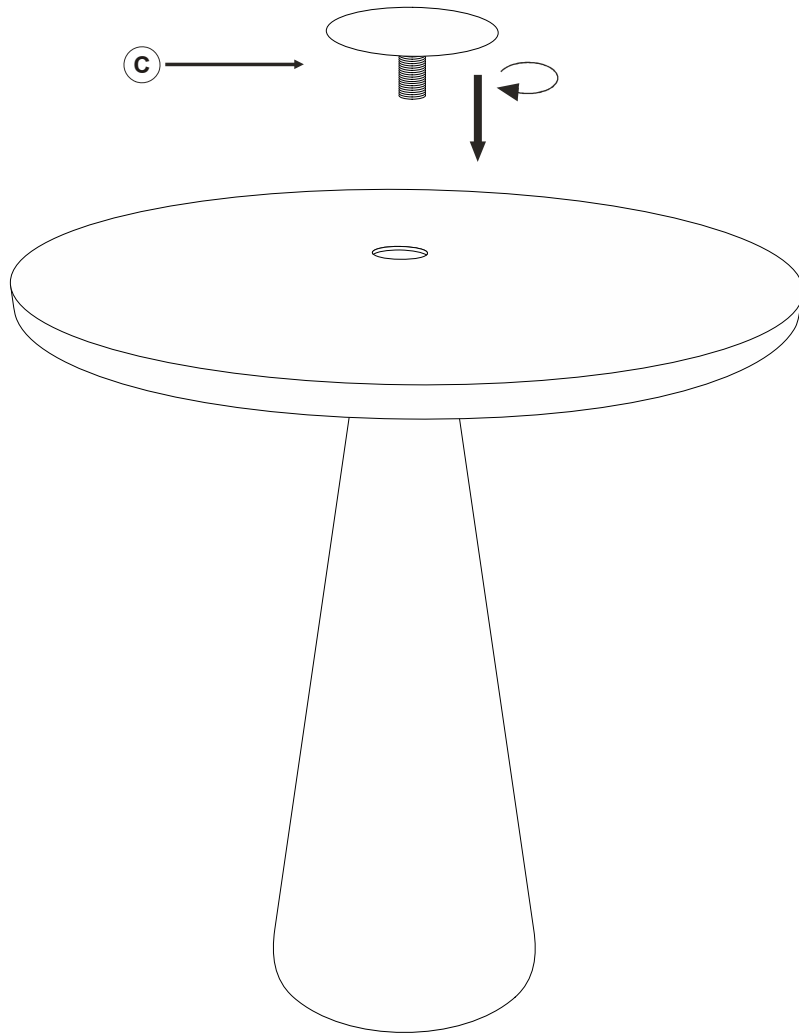
Part List and Hardware List

	DESCRIPTION	PICTURE	QUANTITY
A	MARBLE TOP		1
B	METAL BASE		1
C	SCREW		1



Place marble top (A) on the metal base (B)

2



Attach the top to the base using the screw (c) and rotating it clockwise

CARE & MAINTENANCE

1. Protect against moisture.
2. Wipe with a clean, lint free cloth.
3. Do not use ammoniated detergents, metal or furniture polish or other abrasive cleaning agents.
4. Avoid spills, wipe up immediately with a dry, clean, lint free cloth.
5. Do not expose to harsh or direct sunlight.
6. Please make sure that you have all parts indicated before you begin assembly of this item.
7. This item should be assembled on a soft surface to prevent scratching the finish during assembly.
8. This item may require periodic tightening.



Save all packaging until assembly is completed

Need a part? Call TOV at 516-888-3355 or email service@tovfurniture.com