

ASSEMBLY INSTRUCTION

END TABLE-49508




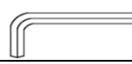


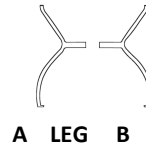
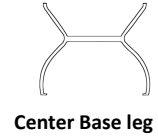
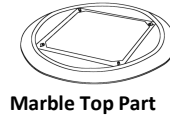
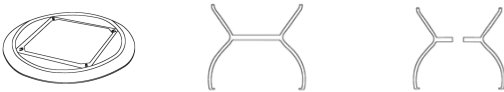
Hardware No.	Drawing	QTY	SIZE
1		2	35/8mm
2		4	20/5mm
3		1	5mm
4		1	3mm
5		4	16/1mm
6		4	10/1mm

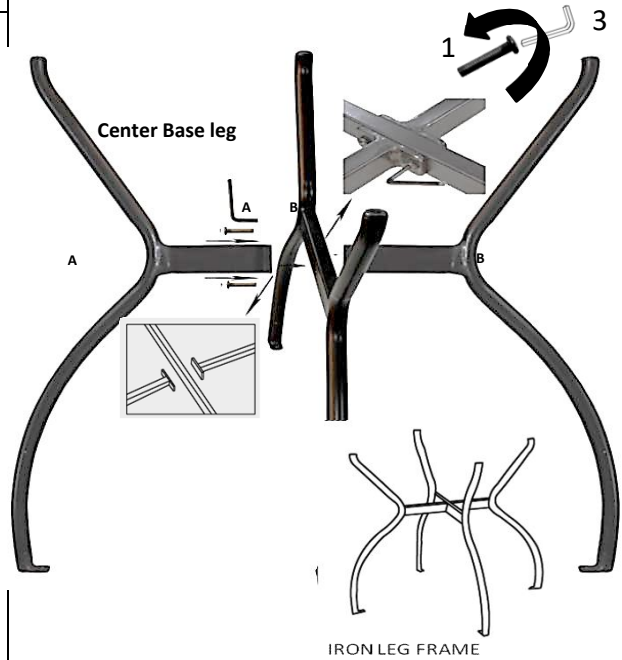
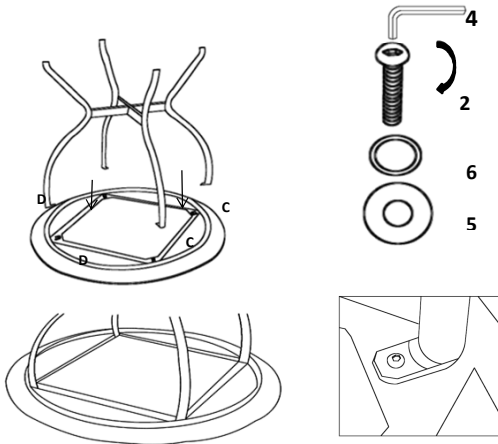
Table Parts



Step:- 1



Step:- 3 Place



Tip for leveling of product: When the product rests on an uneven floor surface it will appear to be unblanced. To aid in leveling, try adjusting the levelers located on the bottom of each foot.



READY TO USE

SKU #	DESCRIPTION	QTY
15240	GRAY MARBLE SLAB ACCENT TAB	40
15242	WHITE MARBLE SLAB ACCENT TA	300
20801	Swivel Barstool	30
44602	DINING TABLE (KD LEGS)	50
44603	CHAIR (2 KD CHAIR/ CARTON)	50
44609	ACCENT TABLE	25
44610	ACCENT TABLE	25
44611	ACCENT TABLE	25
44613	ACCENT TABLE	25
44614	ACCENT TABLE	25
46807	Accent Chair 2-Pack	50
46824	Barstool-Adjustable	100
49508	SIDE TABLE	80
49509	SIDE TABLE	80
49510	SIDE TABLE	40
49511	2 DOOR CABINET (K/D LEG)	40
49512	4 DOOR SIDEBOARD (K/D LEG)	30
49513	CONSOLE TABLE (K/D WHEELS)	30
49514	CONSOLE TABLE	40
49515	REVOLVING TABLE	50
49516	BOOKCASE	40
49517	NESTING SET OF 2	50
49518	PUB TABLE (K/D CONSTRUCTION)	40
49519	BARSTOOL STOOL (1 PC)	80
49520	BARSTOOL STOOL (1 PC)	40
49521	SIDEBOARD (K/D WHEELS)	25
49522	BARSTOOL STOOL (1 PC)	50
49523	BARSTOOL STOOL (1 PC)	50
79705	CHAIR (2 PK)	300
79706	BAR STOOL	100
79707	ACCENT ROUND TABLE	30
79734	DINING TABLE (KD)	30
93408	CRANK TABLE (K/D)	100
93410	ACCENT TABLE	200
93411	SET OF 3 NESTED STOOL	200
93412	GREEN MARBLE TOP TABLE	50
93413	SET OF 3 SQ. NESTED TABLE	80

