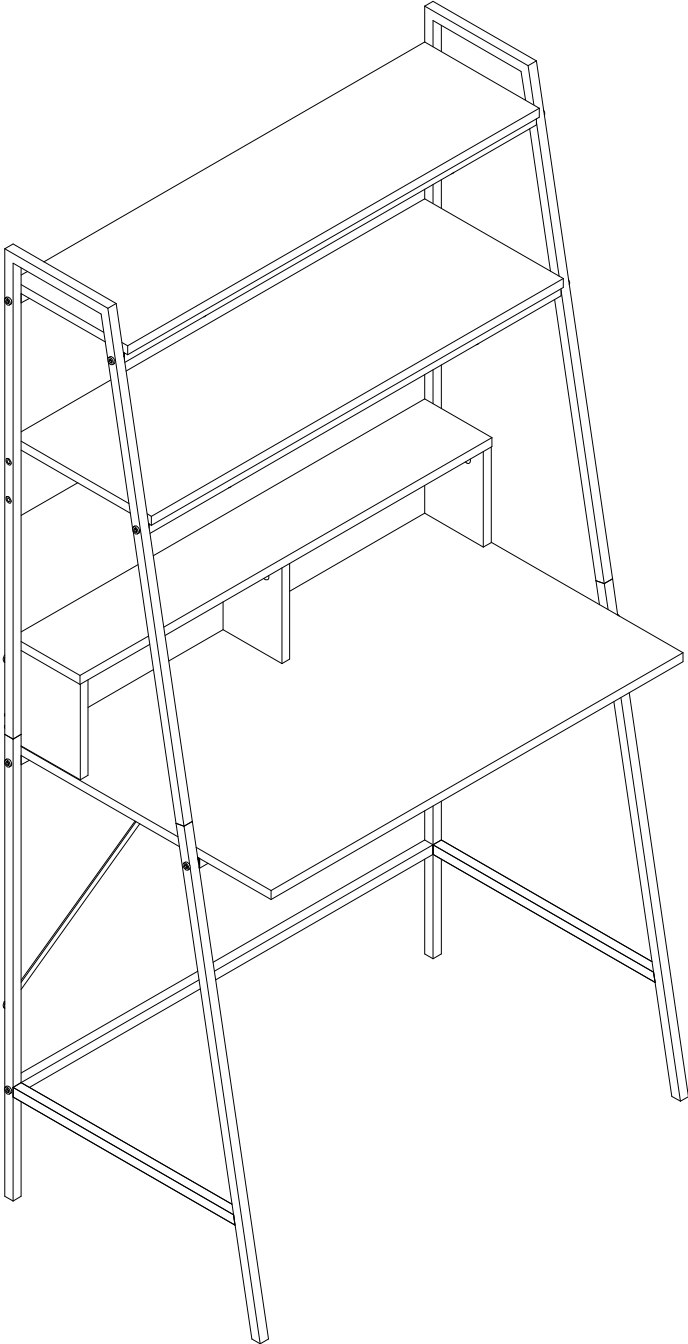
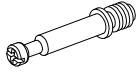
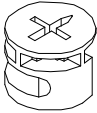









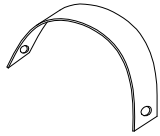
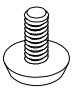


Desk

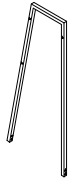


ASSEMBLY INSTRUCTION

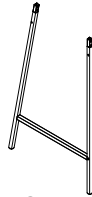
HARDWARE LIST

A	 M6×35mm	B	 Ø15×12mm	C	 M7×38mm	D	 Ø7.8×30mm
11 pcs		11 pcs		12 pcs		6 pcs	
E	 M6×35mm	F	 M6×25mm	G	 M6×12mm	H	 4mm
12 pcs		10 pcs		12 pcs		1 pc	
I	 1 pc	J	 1 pc	K	 1 pc	L	 1 pc
1 pc							
M	 4 pcs						
4 pcs							

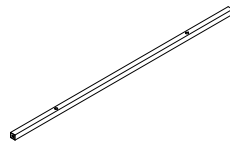
PARTS LIST



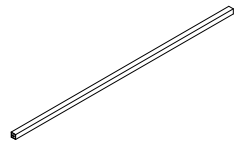
1 - 2pcs



2 - 2pcs



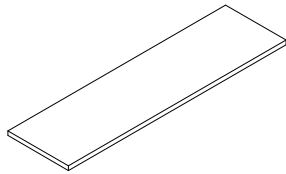
3 - 5pcs



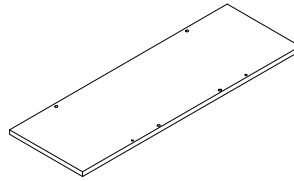
4 - 1pc



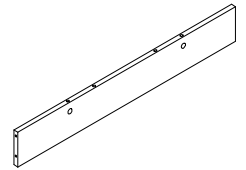
5 - 2pcs



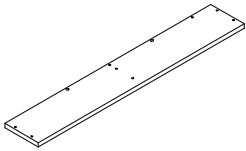
6 - 1pc



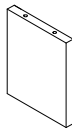
7 - 1pc



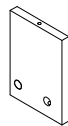
8 - 1pc



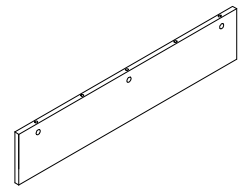
9 - 1pc



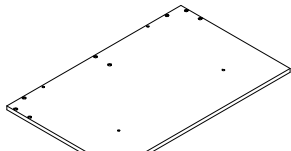
10 - 2pcs



11 - 1pc



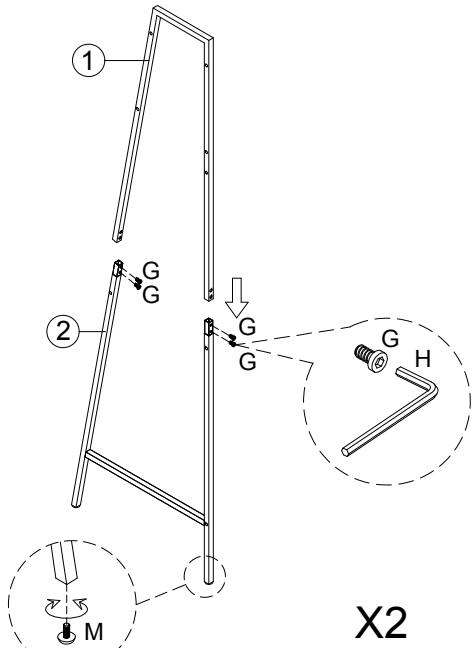
12 - 1pc



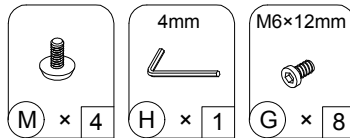
13 - 1pc

ASSEMBLY STEPS

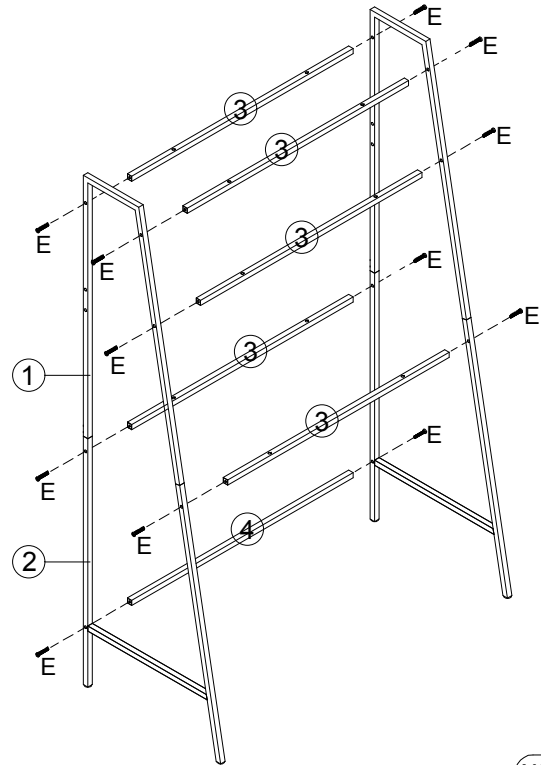
- 1** Fix part 1 to part 2 using screw (G), as shown.
Adjust foot (M) lock to sole of foot as shown.



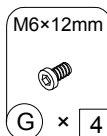
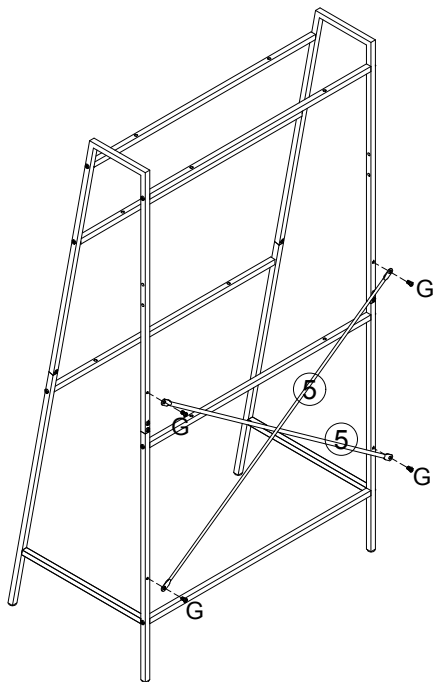
Adjust foot height to balance



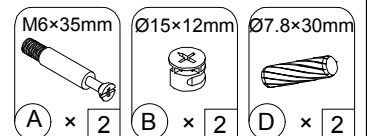
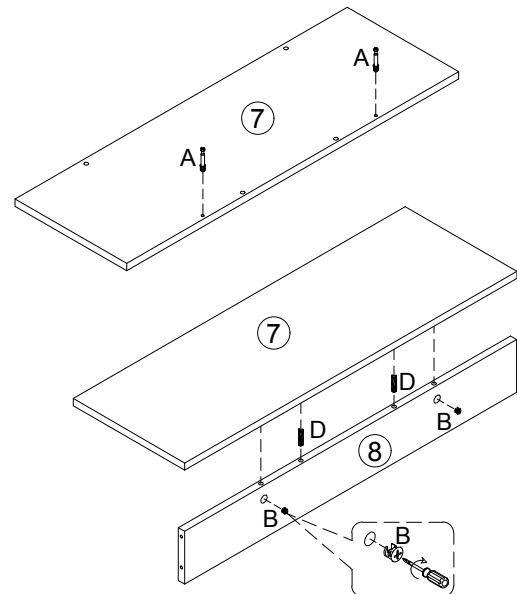
- 2** Fix part 3 and 4 to assembled part 1 and 2 using screw (E), as shown.



- 3** Fix parts 5 to assembled unit using screw (G), as shown.

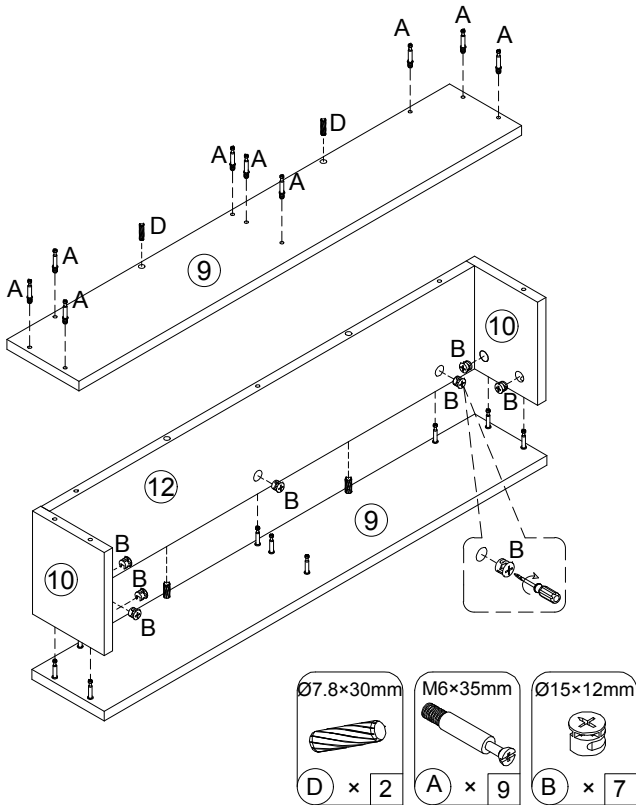


- 4** Insert quickfit screws (A) to part 7.
Insert cam locks (B) and wooden dowels (D) to part 8.
Fit part 7 to part 8.
Turn cam locks clockwise to tighten.

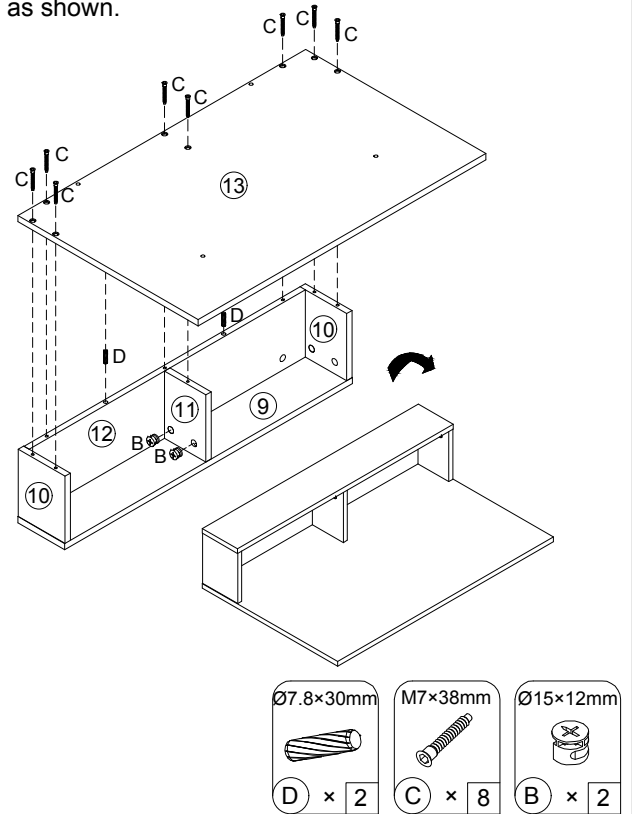


ASSEMBLY STEPS

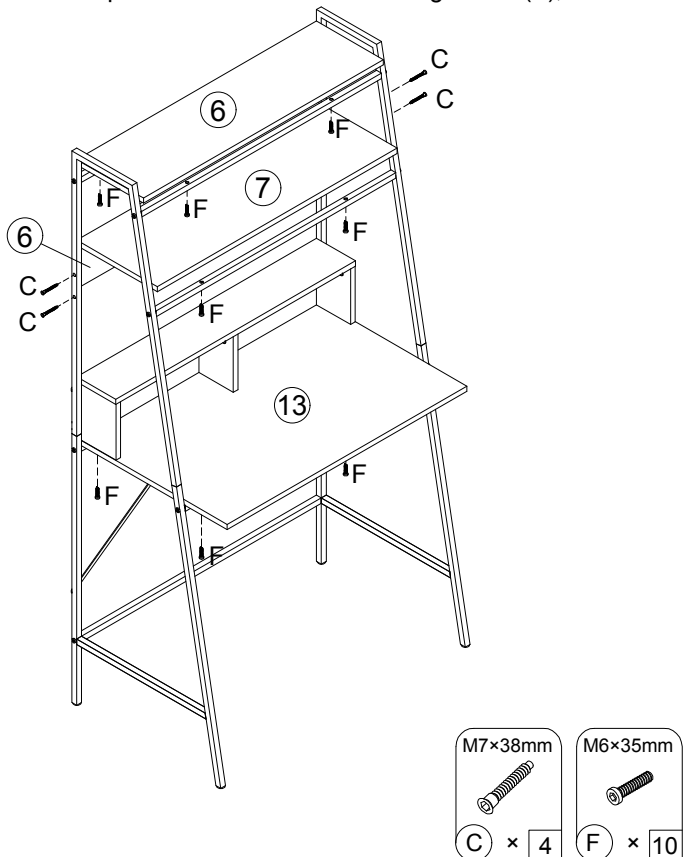
- 5** Insert quickfit screws (A) and wooden dowels (D) to part 9.
 Insert cam locks (B) to parts 10 and 12.
 Fit parts 10 and 12 to part 9.
 Turn cam locks clockwise to tighten.



- 6** Insert wooden dowels (D) to part 12.
 Insert cam locks (B) to parts 11.
 Fit part 11 to part 9. Turn cam locks clockwise to tighten.
 Fit part 13 to assembled parts.
 Secure part 13 to assembled parts using screw (C), as shown.



- 7** Fix part 13 to assembled unit using screw (F), as shown.
 Fix part 7 and 8 to assembled unit using screw (C) and (F), as shown.
 Fix part 6 to assembled unit using screw (F), as shown.



- 8** Fix wall strap (L) to assembled unit using screw (K), as shown.
 For extra stability, it is recommended that you fix your desk to the wall using the screw (J), as shown.
 Should you choose not to affix the product to the wall, serious injury may be caused if the product tips over.

