

## LANCASTER DESK

Assembly instructions:

### PARTS LIST

No.	DESCRIPTION	IMAGE	QTY
P1	BODY		1
P2	LEG LEFT FRAME		1
P3	LEG RIGHT FRAME		1
P4	STRETCHER		1
P5	SUPPORT BAR		2

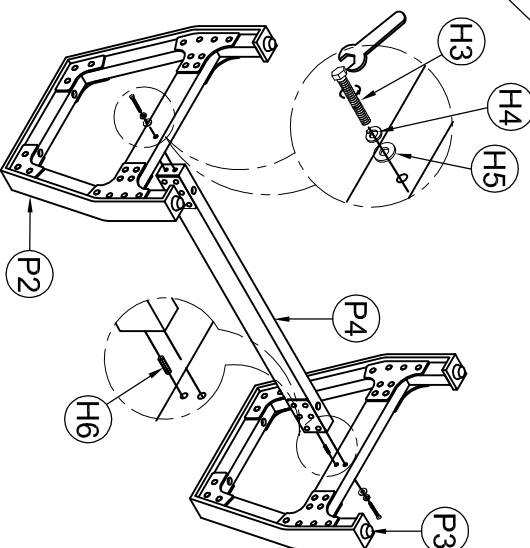
### HARDWARE LIST

No.	DESCRIPTION	IMAGE	QTY
H1	BOLT (Ø8X70 MM)		6
H2	BOLT (Ø8X40 MM)		2
H3	HEX BOLT (Ø8X80 MM)		2
H4	SPRING WASHER (M8X14X1.5MM)		10
H5	FLAT WASHER (M8X18X1.5MM)		10
H6	WOODEN DOWELS (Ø10X40 MM)		2
H7	SPANNER		1
H8	ALLEN KEY		1

**NOTE:** PO # is located underneath/ at the back side of each item. Please be prepared to provide this # should any claim be necessary.

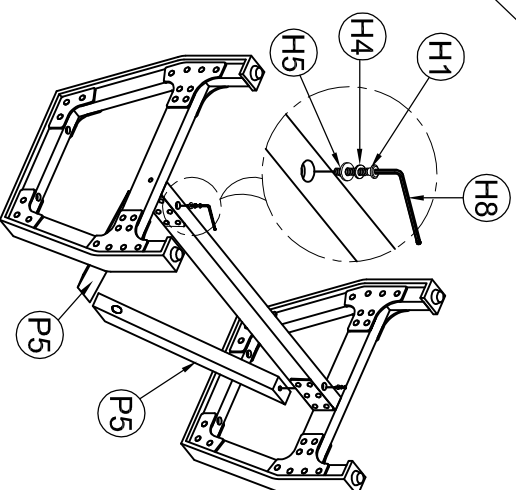
**CAUTION:** item is heavy. Assembly should be performed by two people.

1

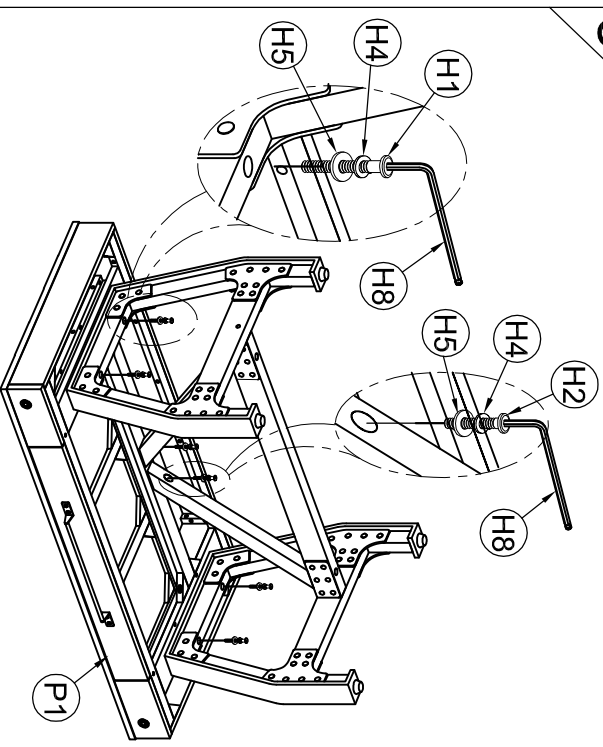


\* DON'T TIGHTEN BOLTS UNTIL FINAL STEP

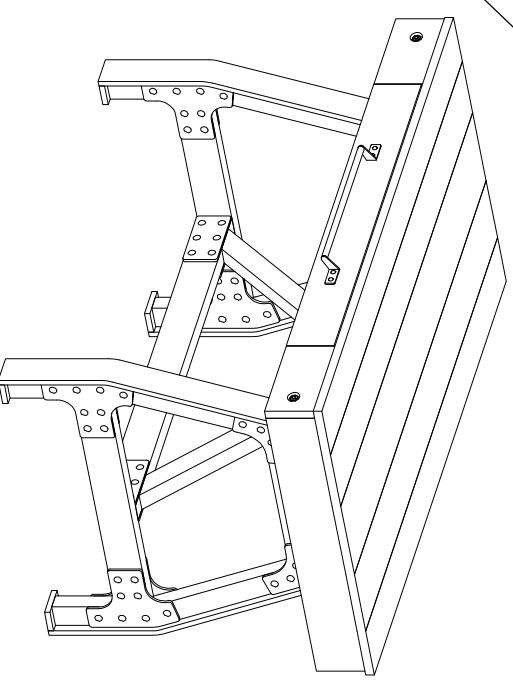
2



3



4



ASSEMBLY COMPLETED