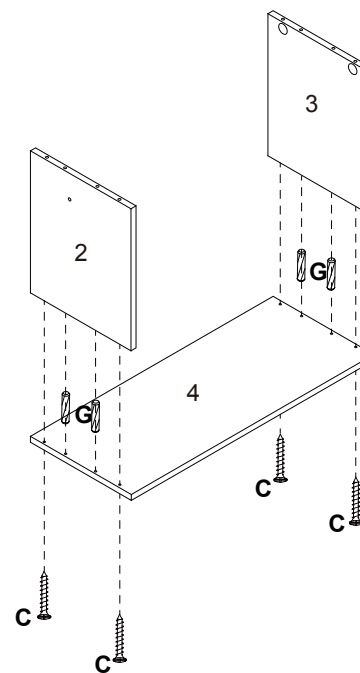




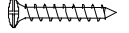



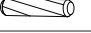

1

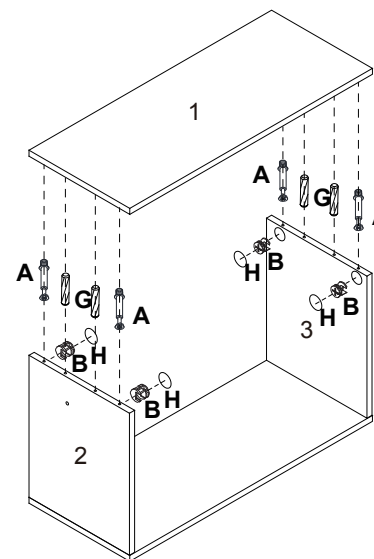
Attach piece 2 & 3 to piece 4 using wooden dowels (G), screws (C).



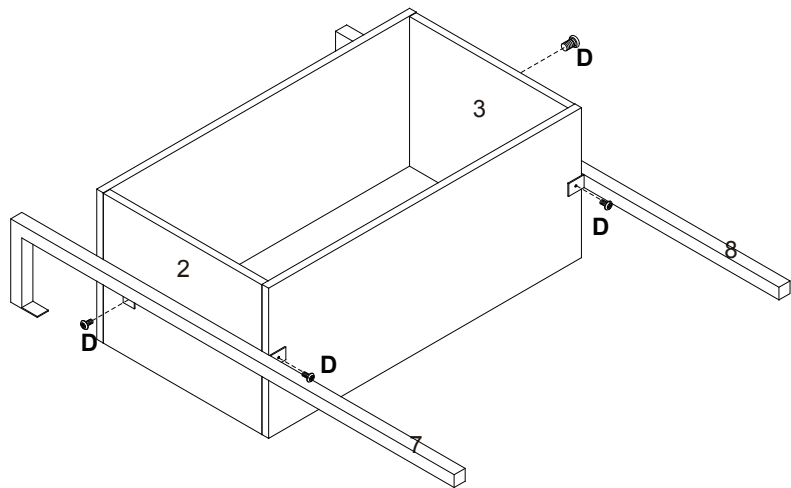
2

Then attach piece 1 using wooden dowels (G), cam dowels (A) and cam locks (B), tighten the cross dowels then attach screw covers (H)

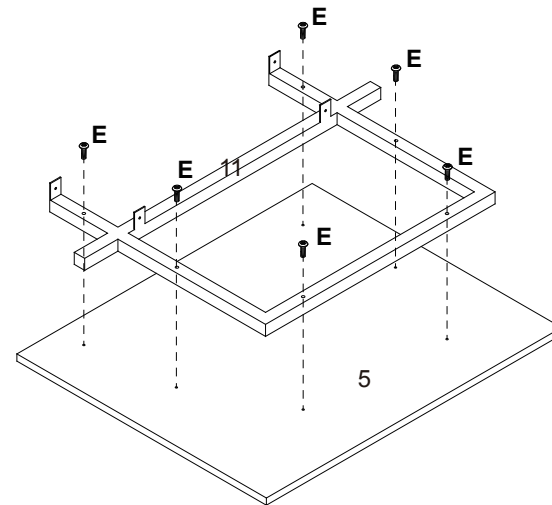
A		4 PCS
B		4 PCS
C		8 PCS
D		16 PCS
E		6 PCS
F		4 PCS
G		4 PCS
H		4 PCS



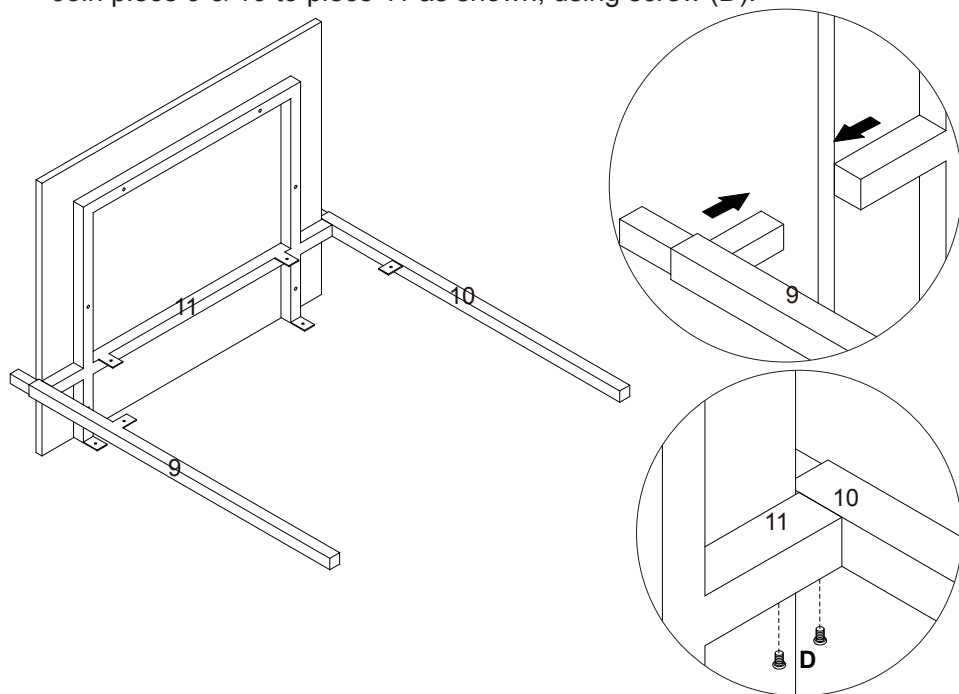
3 Attach section to piece 7 & 8 using screw (D).



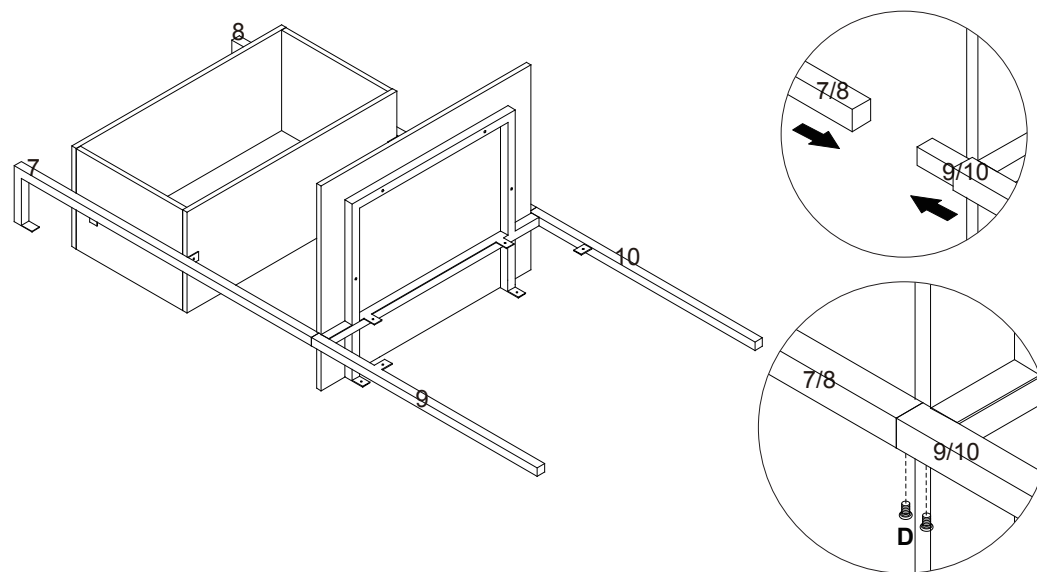
4 Attach piece 11 to piece 5 using screw (E).



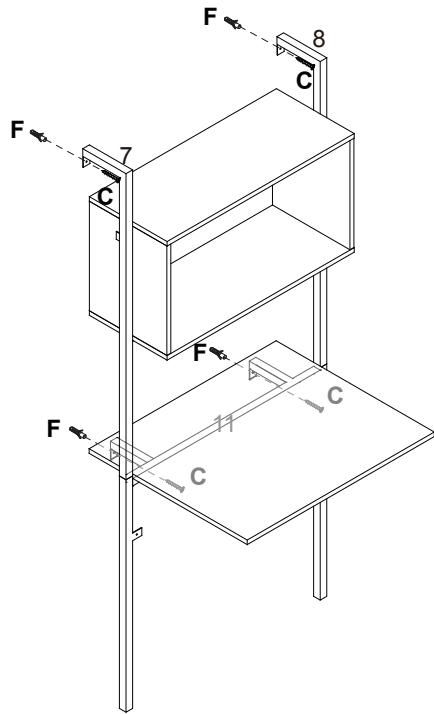
5 Join piece 9 & 10 to piece 11 as shown, using screw (D).



6 Join 2 sections you have just made together as shown, using screw (D).



7 Secure the unit to a wall in your chosen location using wall plugs (F) and screws (C).



8 Attach piece 6 to unit using screw (D).

