



PARTS LIST / LISTE DES PIÈCES / LISTA DE PIEZAS

ITEM NO. / ARTICLE NO. / ARTICULO NO :D230-100

DESCRIPTION / DESCRIPCIÓN : DESK - GRAY / BUREAU / MESA DE TOCADOR

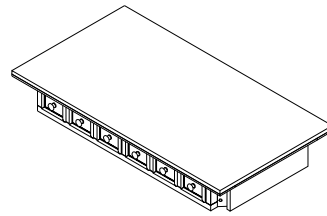
WARNING

Serious or fatal crushing injuries can occur from furniture tip-over. To help prevent tip-over:

- Install tipover restraint provided.
- Place heaviest items in the lowest drawers.
- Do not set TV's or other heavy objects on top of this product, unless the product is specifically designed to accommodate them.
- Never allow children to climb or hang on drawers, doors, or shelves.
- Never open more than one drawer at a time. (CR)
- Do not defeat or remove the drawer interlock system.

Use of tip-over restraints may only reduce, but not eliminate, the risk of tip-over.

This is a permanent label. Do not remove!

A

x1 Table Top *
x1 Dessus de table
x1 Tablero de mesa



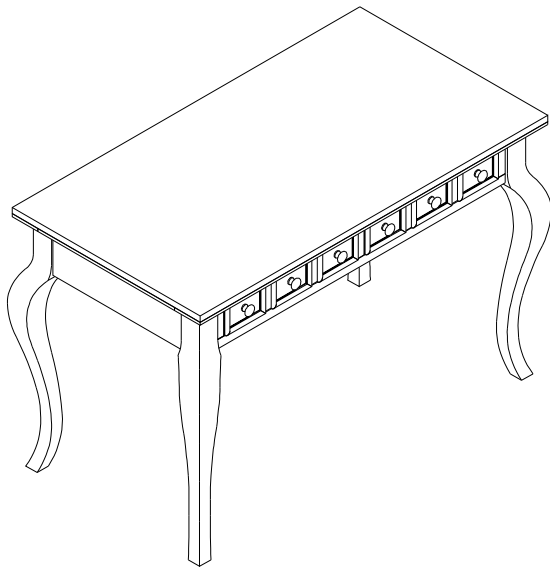
A

x4 Legs *
x4 Jambes
x4 Piernas



C

x8 Flat Washer $\phi 5/16 \times 19 \times 2 \text{mm}$ *
x8 Rondelle plate $\phi 5/16 \times 19 \times 2 \text{mm}$
x8 Arandela plana $\phi 5/16 \times 19 \times 2 \text{mm}$



D

x8 Lock washer $\phi 5/16 \text{''}$ *
x8 Rondelle de blocage $\phi 5/16 \text{''}$
x8 Arandela de Seguridad $\phi 5/16 \text{''}$



E

x8 Hex nut $\phi 5/16 \text{''}$ *
x8 Écrou hexagonal $\phi 5/16 \text{''}$
x8 Tuerca hexagona $\phi 5/16 \text{''}$



F

x1 Open Wrench $\phi 5/16 \text{''}$ *
x1 Clé à fourche $\phi 5/16 \text{''}$
x1 Llave de boca $\phi 5/16 \text{''}$



G

x1 Furniture Tipping Restraint
x1 Systeme antibasculement
x1 Control para evitar vulcos

* Replaceable Part



ASSEMBLY INSTRUCTIONS / NOTICE DE MONTAGE / INSTRUCCIONES DE MONTAJE

ITEM NO. / ARTICLE NO. / ARTICULO NO :D230-100

DESCRIPTION / DESCRIPCIÓN : DESK - GRAY / BUREAU / MESA DE TOCADOR

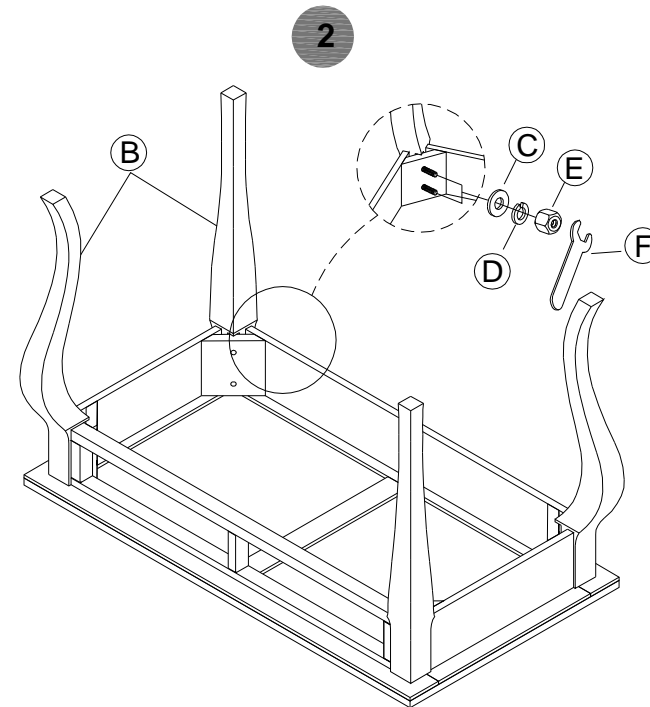
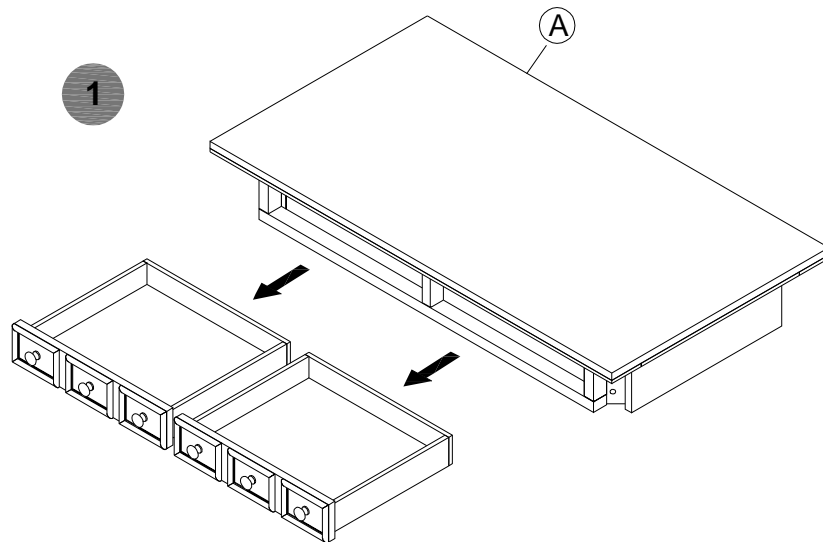
WARNING

Serious or fatal crushing injuries can occur from furniture tip-over. To help prevent tip-over:

- Install tipover restraint provided.
- Place heaviest items in the lowest drawers.
- Do not set TVs or other heavy objects on top of this product, unless the product is specifically designed to accommodate them.
- Never allow children to climb or hang on drawers, doors, or shelves.
- Never open more than one drawer at a time. (CR)
- Do not defeat or remove the drawer interlock system.

Use of tip-over restraints may only reduce, but not eliminate, the risk of tip-over.

This is a permanent label. Do not remove!



* Replaceable Part



ASSEMBLY INSTRUCTIONS / NOTICE DE MONTAGE / INSTRUCCIONES DE MONTAJE

ITEM NO. / ARTICLE NO. / ARTICULO NO :D230-100

DESCRIPTION / DESCRIPCIÓN : DESK - GRAY / BUREAU / MESA DE TOCADOR

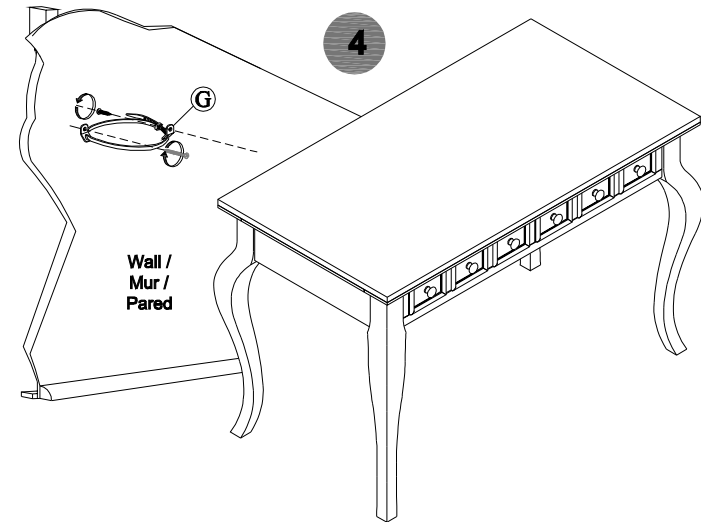
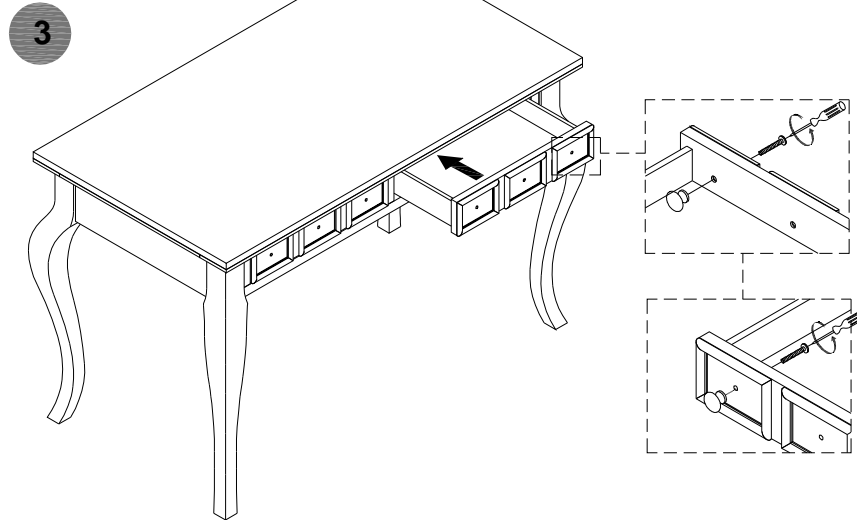
WARNING

Serious or fatal crushing injuries can occur from furniture tip-over. To help prevent tip-over:

- Install tipover restraint provided.
- Place heaviest items in the lowest drawers.
- Do not set TVs or other heavy objects on top of this product, unless the product is specifically designed to accommodate them.
- Never allow children to climb or hang on drawers, doors, or shelves.
- Never open more than one drawer at a time. (CR)
- Do not defeat or remove the drawer interlock system.

Use of tip-over restraints may only reduce, but not eliminate, the risk of tip-over.

This is a permanent label. Do not remove!



* Replaceable Part



REPLACEABLE PART / PARTIE REMPLAÇABLE / PARTE REEMPLAZABLE

ITEM NO. / ARTICLE NO. / ARTICULO NO :D230-100

DESCRIPTION / DESCRIPCIÓN : DESK - GRAY / BUREAU / MESA DE TOCADOR

WARNING

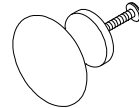
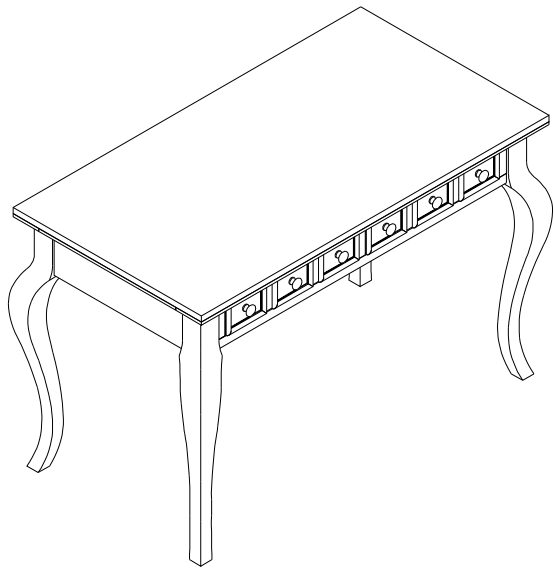


Serious or fatal crushing injuries can occur from furniture tip-over. To help prevent tip-over:

- Install tipover restraint provided.
- Place heaviest items in the lowest drawers.
- Do not set TVs or other heavy objects on top of this product, unless the product is specifically designed to accommodate them.
- Never allow children to climb or hang on drawers, doors, or shelves.
- Never open more than one drawer at a time. (CR)
- Do not defeat or remove the drawer interlock system.

Use of tip-over restraints may only reduce, but not eliminate, the risk of tip-over.

This is a permanent label. Do not remove!



x6 RD230-100-PULL-Pull + Screw *
Poignée + Vis
Tirador + Tornillo



x2 COMGLIDE-14-35-Drawer Glide *
Tiroir Glide
Deslizamiento del cajón



x4 RC-BR-NAIL-Plastic nail - Clou - Clavo *



x1 RD230-100-HWKIT-Hardware kit list *
Liste des pièces de quincaillerie
Lista del kit de materiales

* Replaceable Part