



MANHATTAN COMFORT

888-230-2225

help@manhattancomfort.com

319 RIDGE RD, DAYTON, NJ08810, NEW JERSEY - UNITED STATES



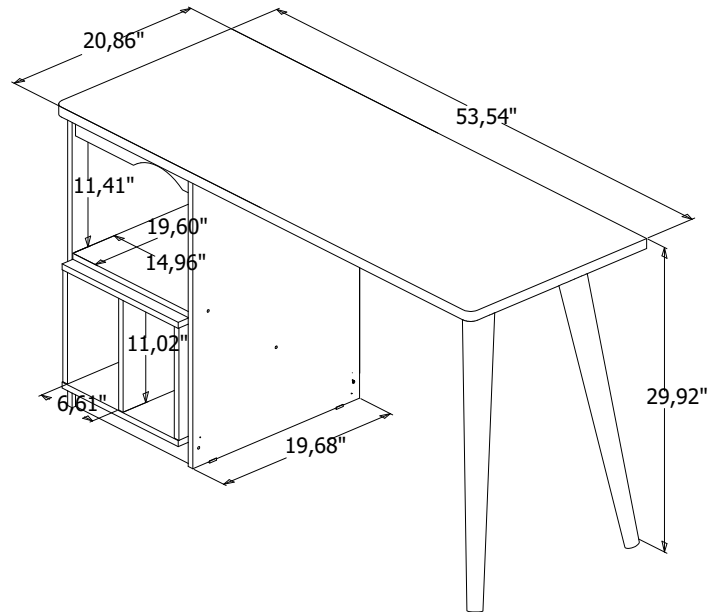
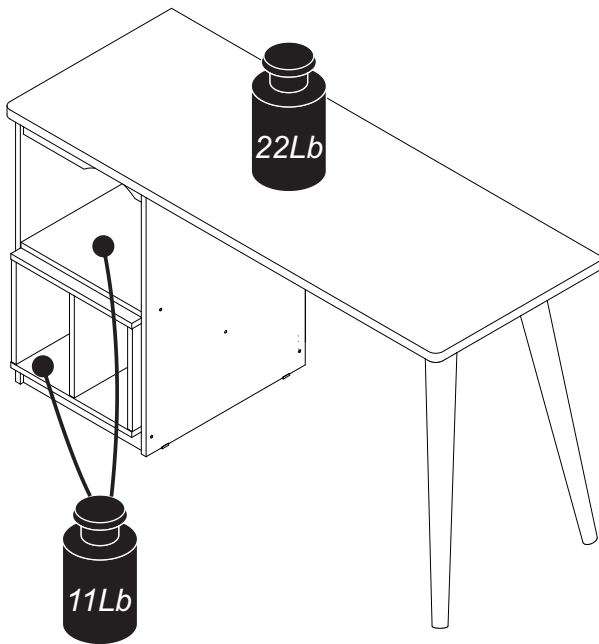
Hampton
home office desk 40.79"

Technical information

Maximum supported weight

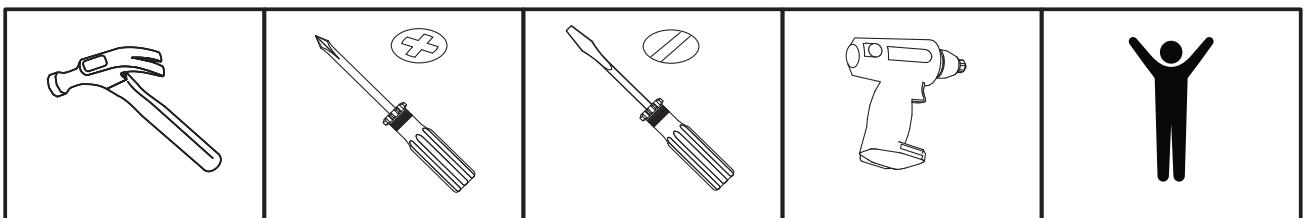
Dimension:

W: 53.54" H: 29.92" D: 20.86"

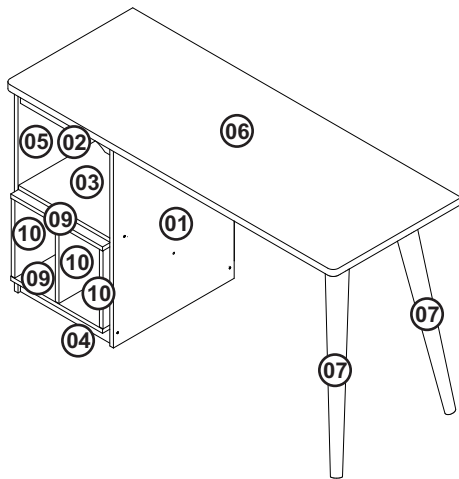


ASSEMBLY VIDEO

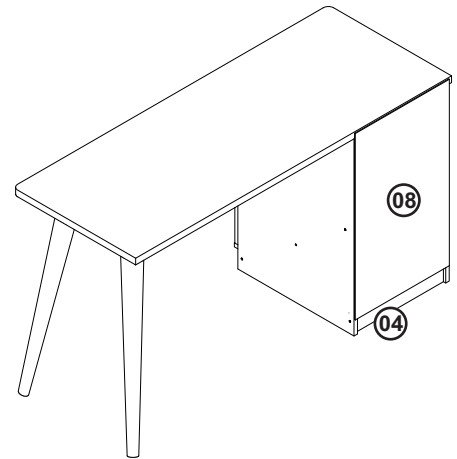
Tools needed (not included)



FRONT VIEW



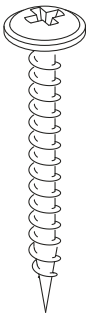
REAR VIEW



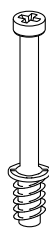
PART	DESCRIPTION	QUANTITY
01	RIGHT SIDE	01
02	FRAME	01
03	SHELF	01
04	CROSSBAR	02
05	LEFT SIDE	01
06	TOP	01
07	FEET	02
08	BACK COVER	01
09	TOP/ BASE OF THE NICHE	02
10	SIDE OF THE NICHE	03

HARDWARE

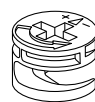
A 22x



B 04x



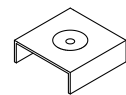
C 04x



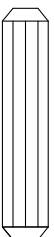
D 04x



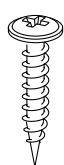
E 04x



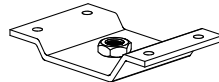
F 06x



G 08x



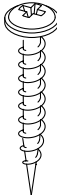
H 02x



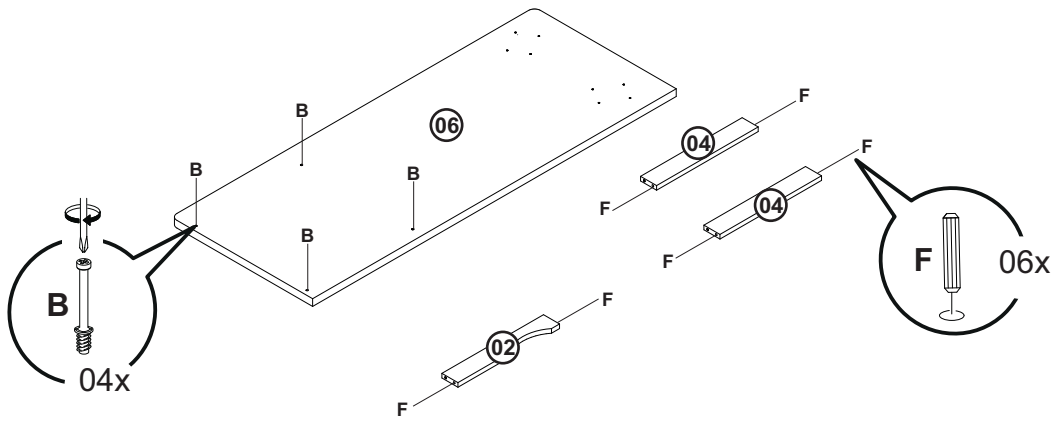
I 18x



J 02x

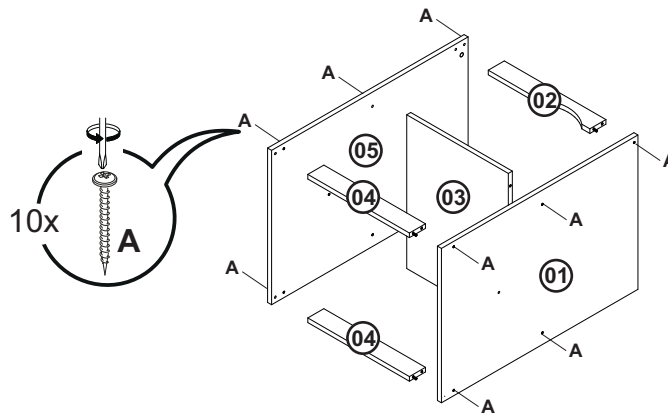


STEP 1



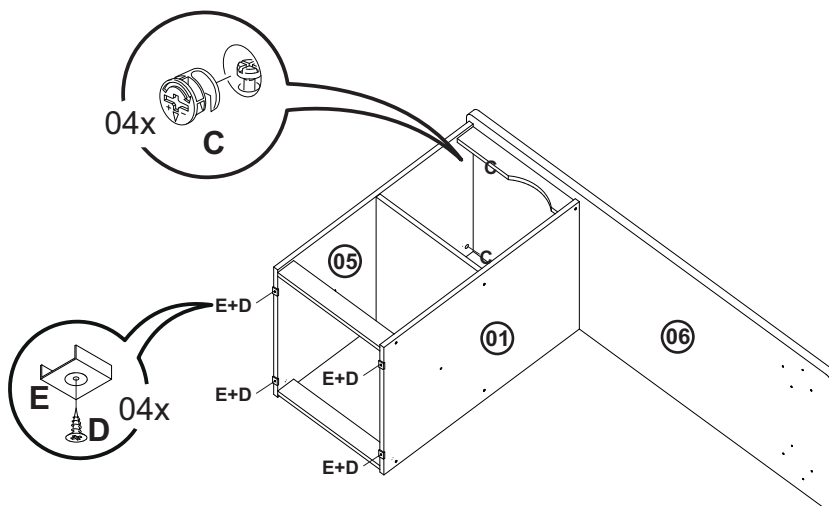
- Insert the hardware (B) in the part (06).
- Insert the hardware (F) in the parts (02, 04).

STEP 2



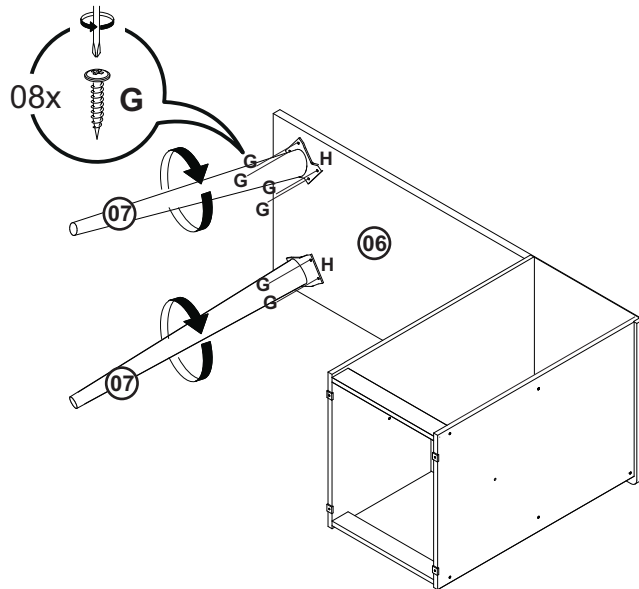
- Connect the parts (01, 02, 03, 04, 05) with the hardware (A).

STEP 3



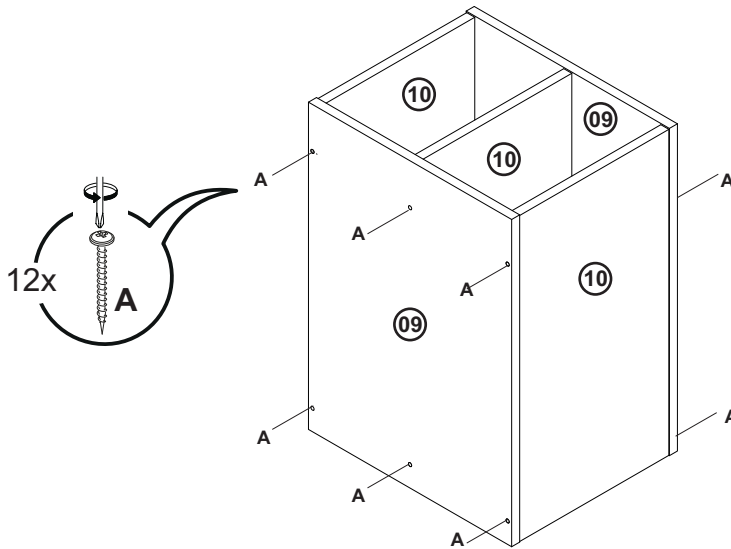
- Connect the parts (01, 05) onto the part (06) with the hardware (C).
- Connect the hardware (E) onto the parts (01, 05) with the hardware (D).

STEP 4



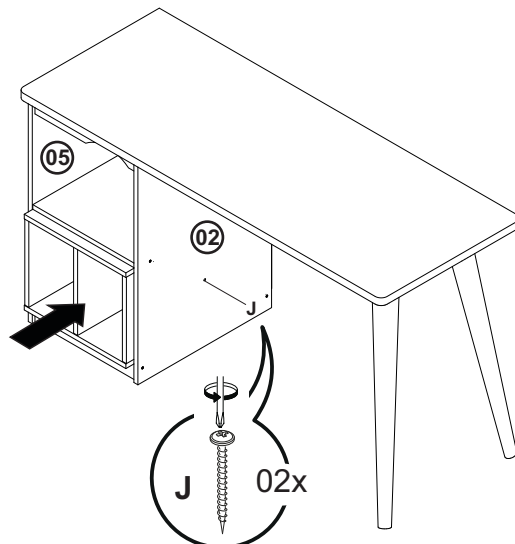
- Connect the hardware (H) under the part (06) with the hardware (G).
- Then, screw the parts (07) into the hardware (H).

STEP 5



- Connect the parts (09, 10) with the hardware (A).

STEP 6



- Connect the niche onto the parts (02, 05) with the hardware (J).



MANHATTAN COMFORT

888-230-2225

help@manhattancomfort.com

319 RIDGE RD, DAYTON, NJ08810, NEW JERSEY - UNITED STATES



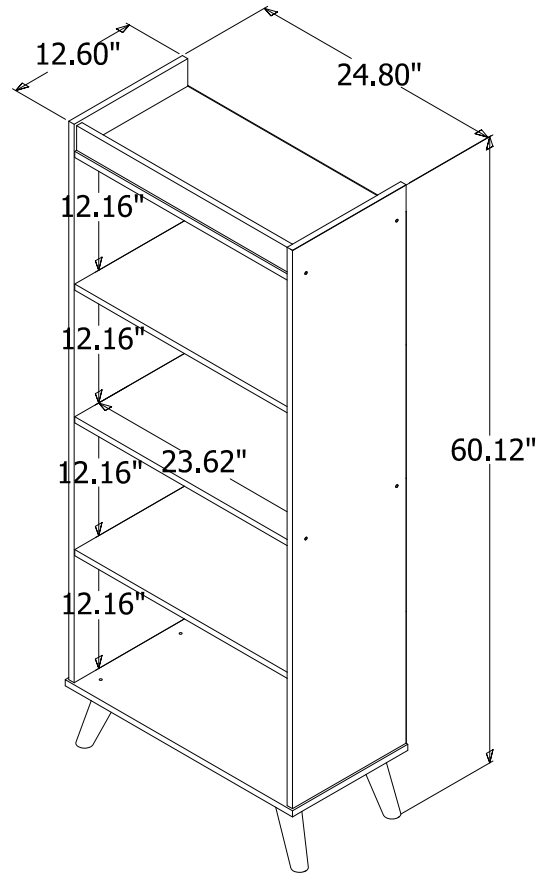
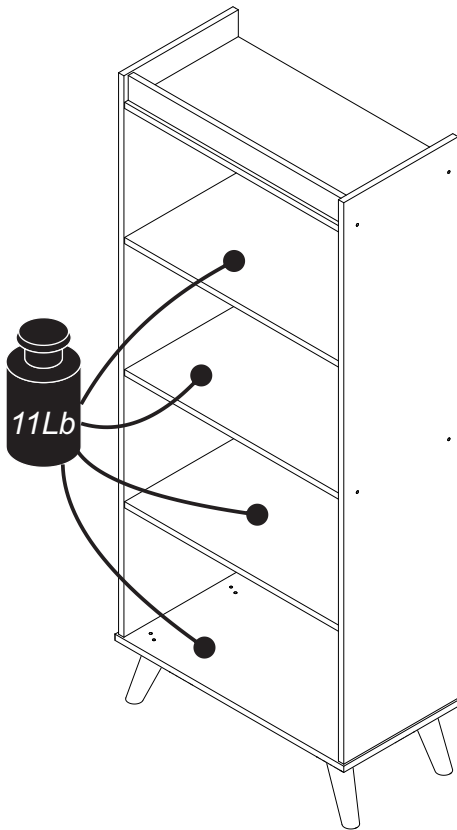
Hampton
bookcase

Technical information

Maximum supported weight

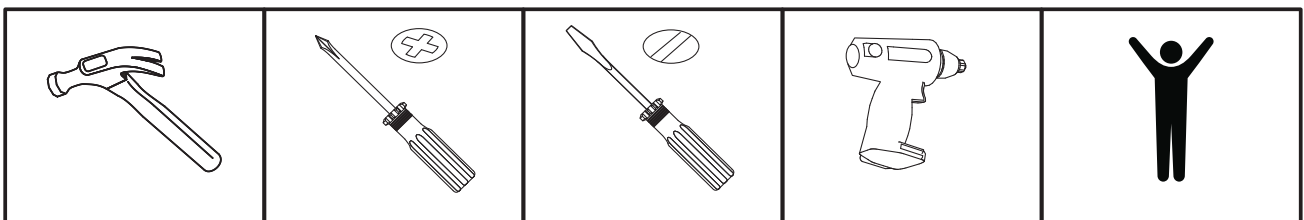
Dimension:

W: 24.80" H: 60.12" D: 12.60"

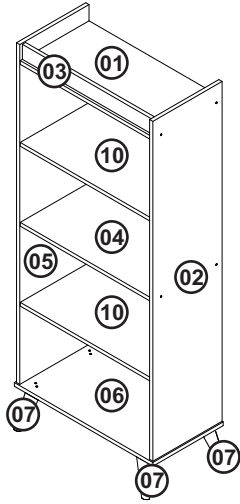


ASSEMBLY VIDEO

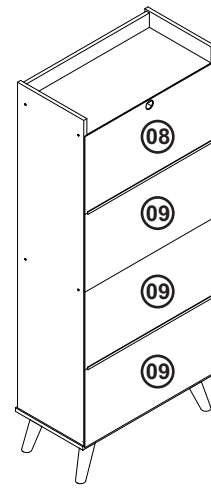
Tools needed (not included)



FRONT VIEW



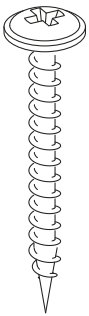
REAR VIEW



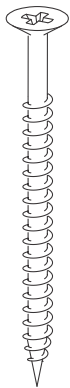
PART	DESCRIPTION	QUANTITY
01	TOP	01
02	RIGHT SIDE	01
03	CROSSBAR	01
04	FIXED SHELF	01
05	LEFT SIDE	01
06	BASE	01
07	FEET	04
08	BACK COVER (DRILLED)	01
09	BACK COVER	03
10	ADJUSTABLE SHELF	02

HARDWARE

A 20x



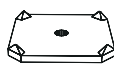
B 01x



C 01x



D 04x



E 01x



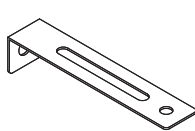
F 08x



G 04x



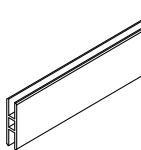
H 01x



I 44x



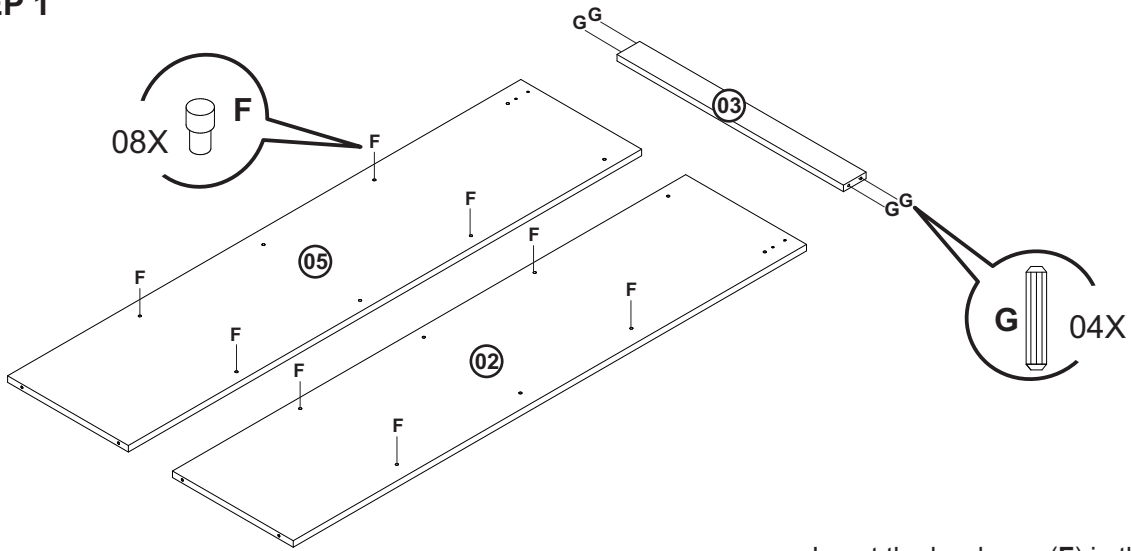
J 02x



K 02x

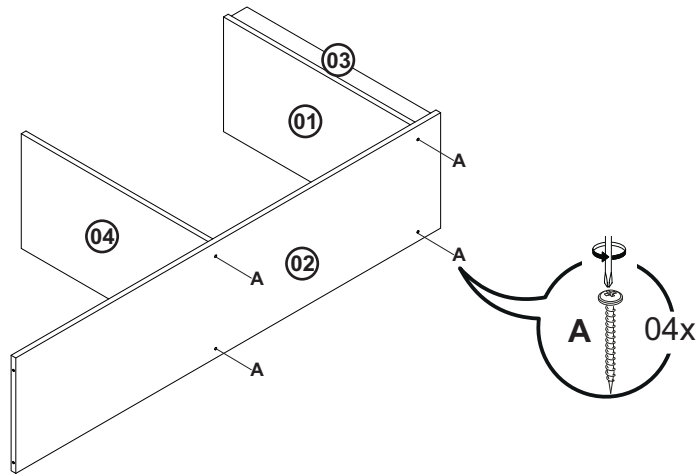


STEP 1



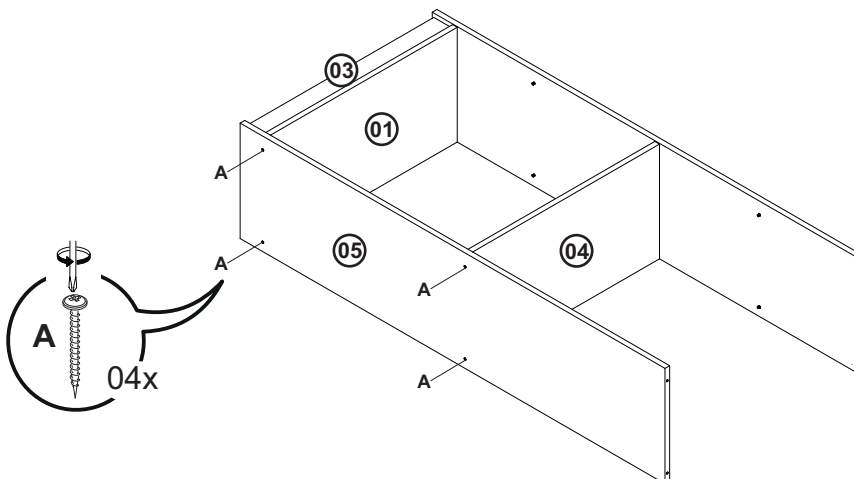
- Insert the hardware (F) in the parts (02, 05).
- Insert the hardware (G) in the part (03).

STEP 2



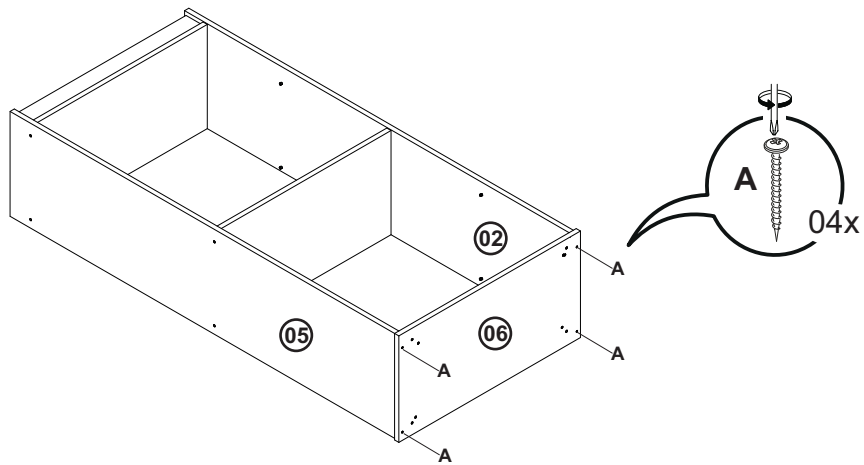
- Connect the parts (01, 02, 03, 04) with the hardware (A).

STEP 3



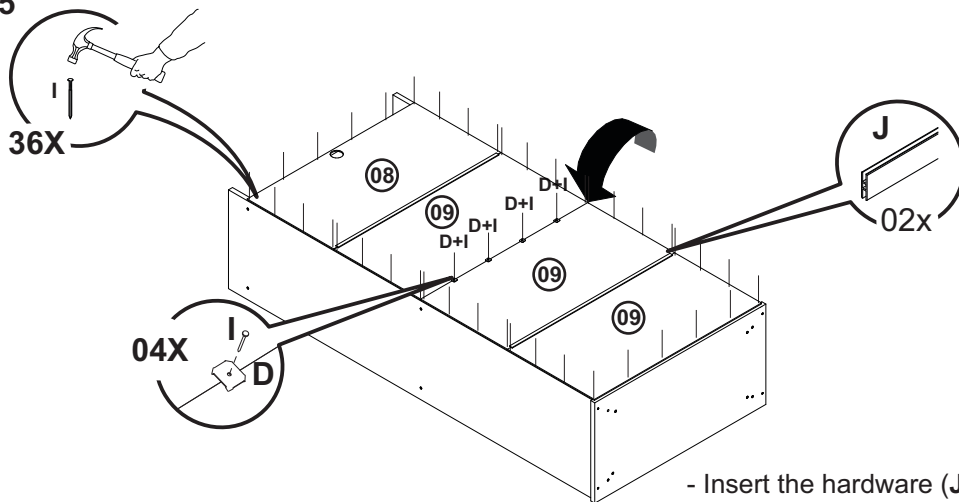
- Connect the part (05) onto the parts (01, 03, 04) with the hardware (A).

STEP 4



- Connect the part (06) onto the parts (02, 05) with hardware (A).

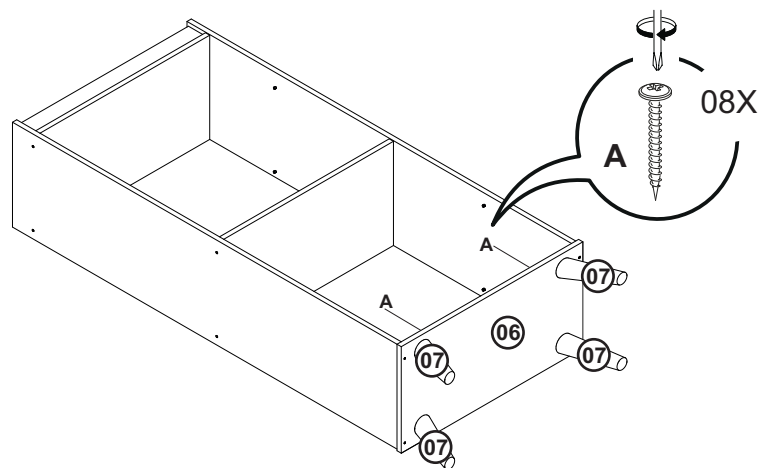
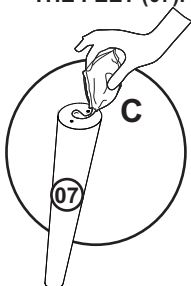
STEP 5



- Insert the hardware (J) as showed on detail.
- Connect the two parts (09) with the hardware (I+D).
- Connect the parts (08, 09) with the hardware (I).

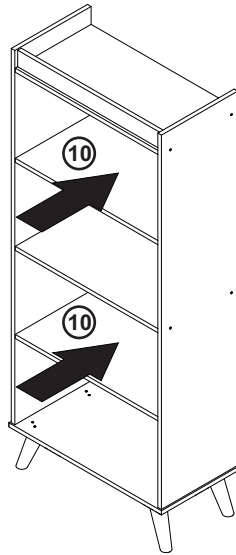
STEP 6


USE THE GLUE (C)
BEFORE FASTENING
THE FEET (07).



- Connect the parts (07) under the part (06) using two screws (A) for each one.

STEP 7

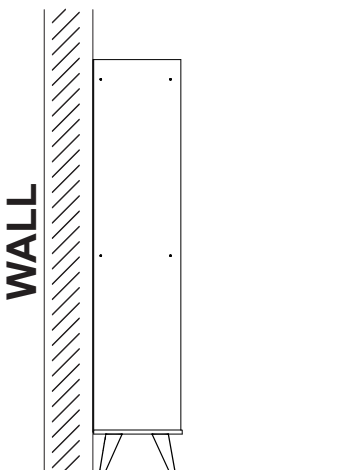


- Insert the parts (10) as showed above.

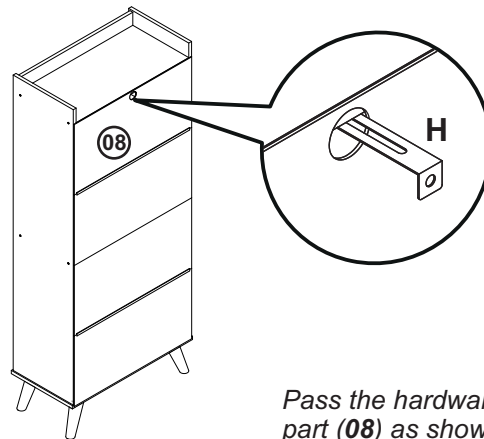
STEP 8

Attention! This step is very important!

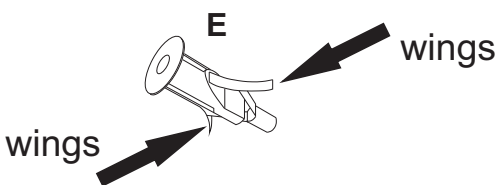
You need to attach to the furniture on the wall to avoid any tip over risk. Follow the procedures as showed below.



Approach as close as possible to the wall.

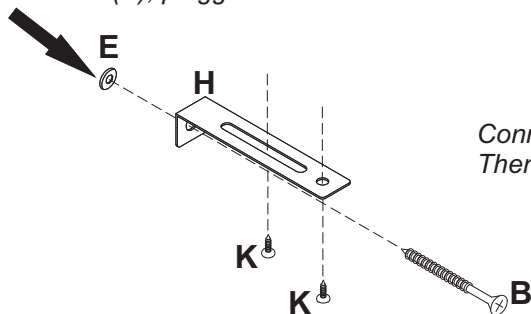


Pass the hardware (H) through the hole of the part (08) as shown in the figure.
You will need a pencil to mark where you should drill the wall with a 3/8" drill bit to put in the hardware (E).



Press the hardware wings (E) to put in the hole that you drilled in the wall.

Hardware (E), plugged in the wall.



Connect the hardware (H) onto the wall with hardware (B).
Then fasten with the hardware (K) the hardware (H) on the part (01).