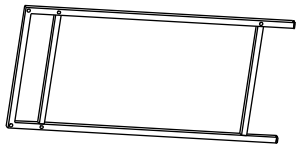
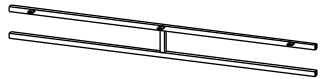


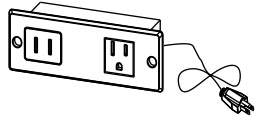
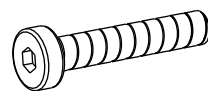
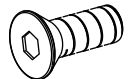
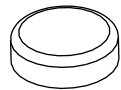
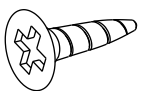
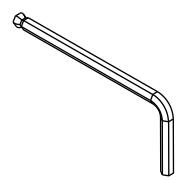
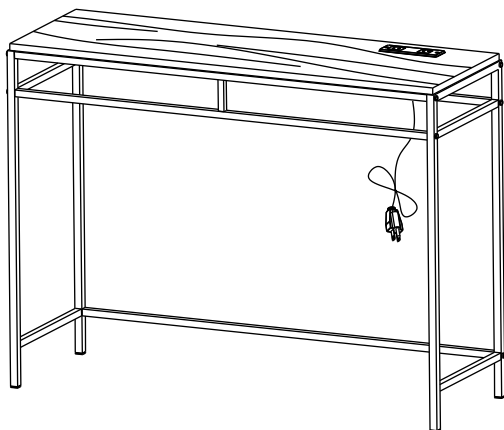


ASSEMBLY INSTRUCTION

E804-15 COUNTER HEIGHT DESK WITH FAUX MARBLE TOP & USB

A Side Frame	B Side Panel	C Stretcher	D Wood Top
			
2pcs	2pcs	1pc	1pc
E USB	F Bolt 1/4" x 1-1/2"	G Bolt 1/4" x 5/8"	H Bolt Cover 1/4"
			
1pc	10pcs	6pcs	10pcs
I Screw 12mm	J Allen Wrench 1/4"		
			
2pcs	1pc		

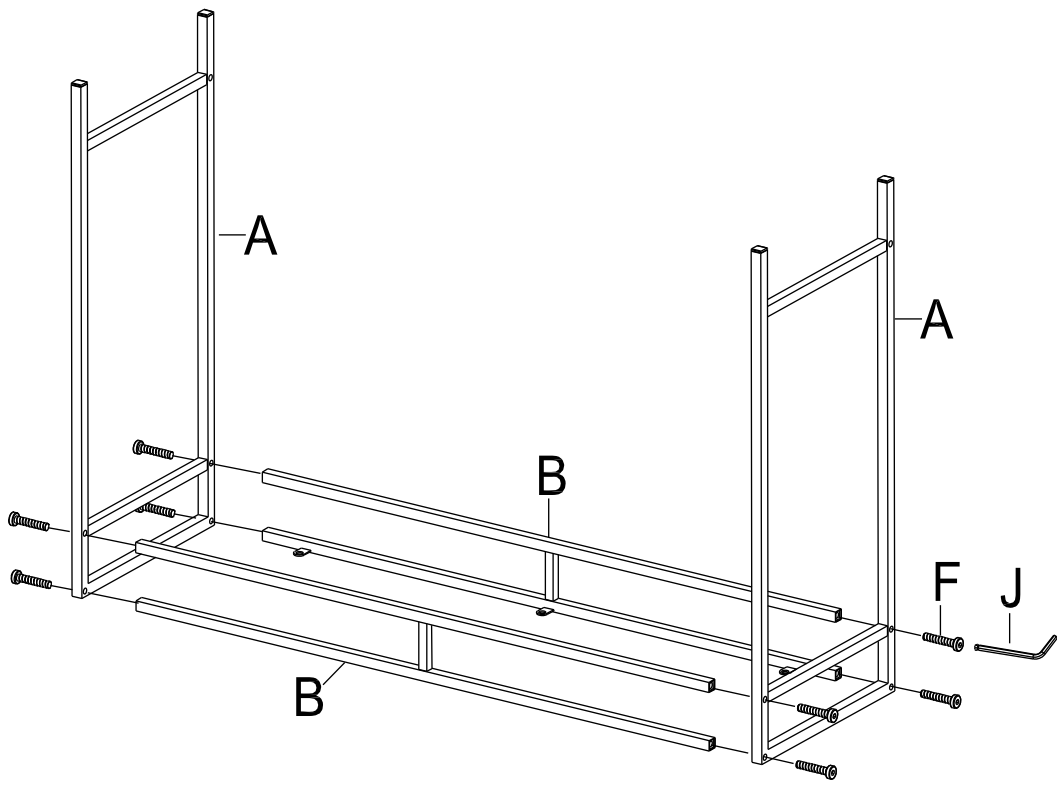


This page lists all the contents included in the box. Please take the time to identify the hardware as well as the individual components to this product. As you unpack and prepare for assembly, place the contents on a carpeted or padded area to protect them from damage.

***** Do not tighten screws & bolts until the entire unit is completely assembled.**

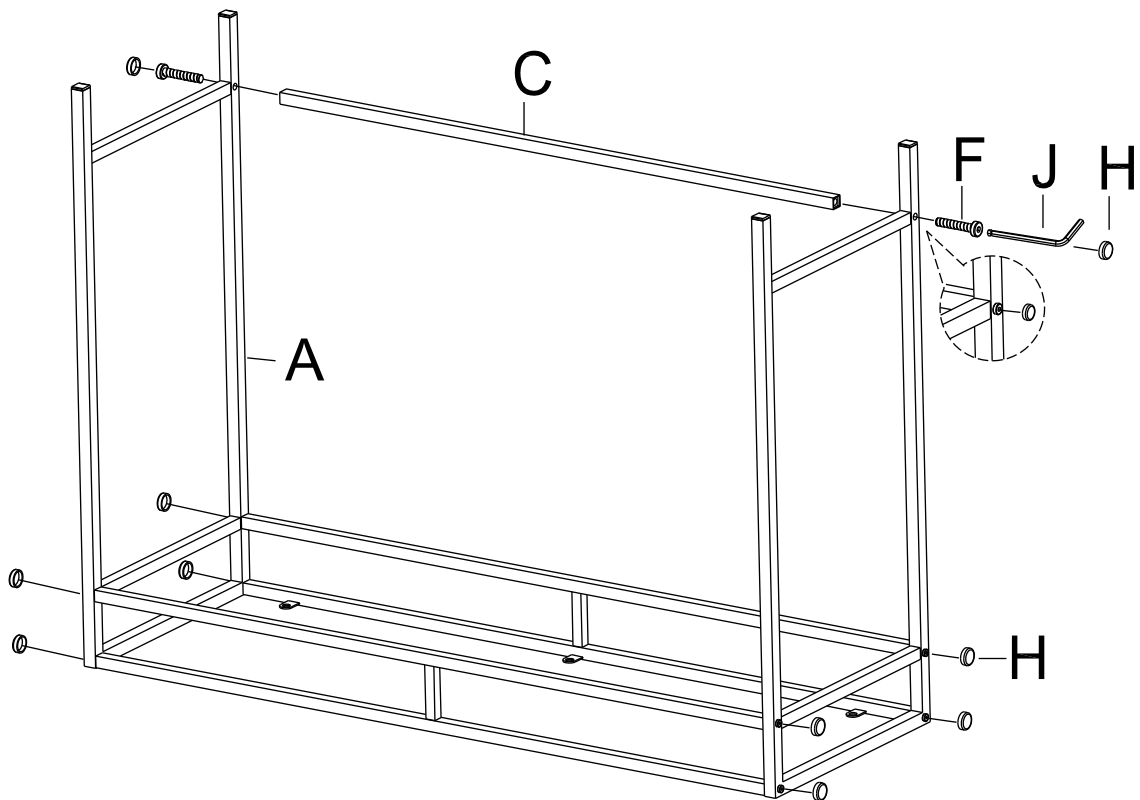
1

Attach Side Panel (B) to Side Frame (A) by Bolt (F) and Allen Wrench (J) as shown.

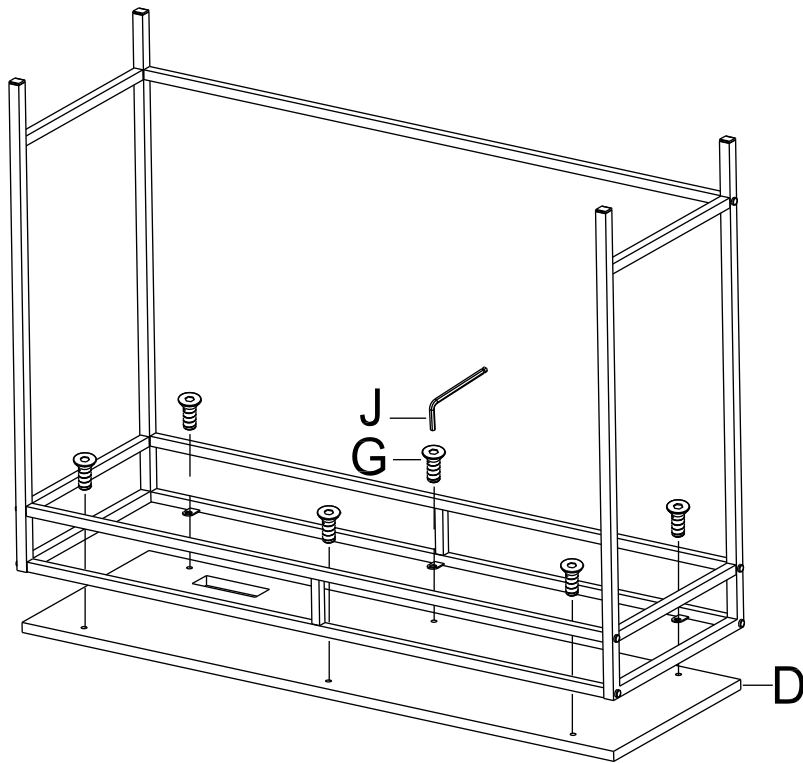


2

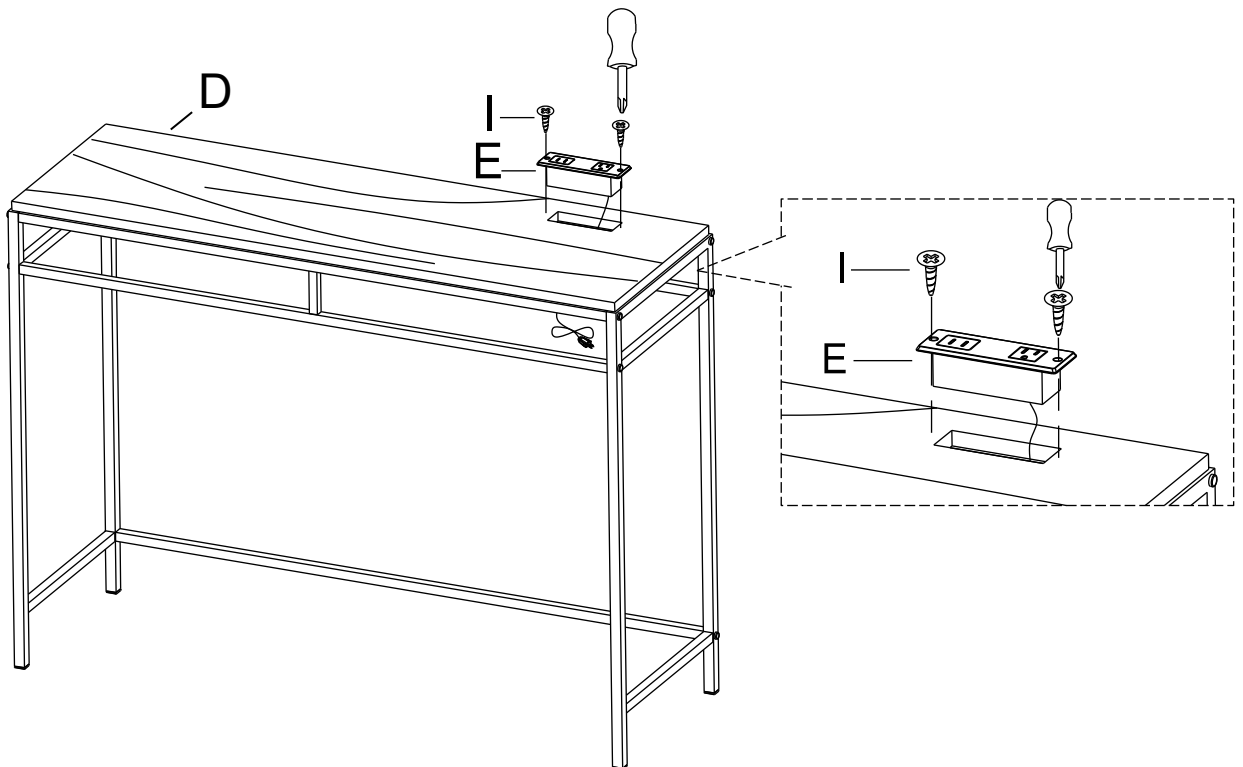
Attach Stretcher (C) to Side Frame (A) by Bolt (F) and Allen Wrench (J). Then cover the bolt head by Bolt Cover (H) as shown.



3 Attach assembled metal base to Wood Top (D) by Bolt (G) and Allen Wrench (J) as shown.



4 Attach USB (E) to Wood Top (D) by Screw (I) as shown.



Cleaning & Care

Treat surface with care. Surface is resistant to scratches but is not scratch resistant. Clean surfaces with a dry or damp soft cloth. Do not use abrasive cleaners. Hardware may loosen over time. Periodically check that all connections are tight.