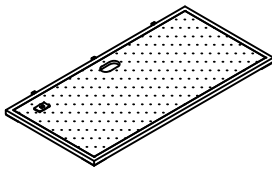
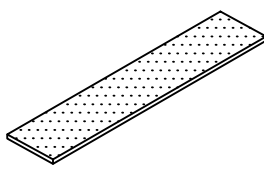
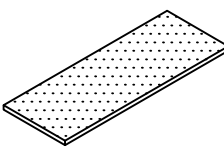

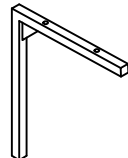

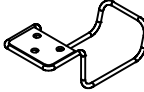
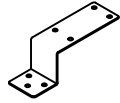
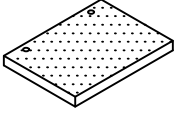
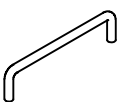

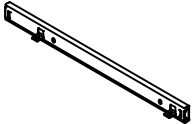
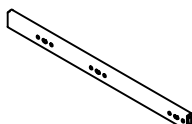
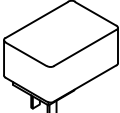
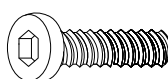




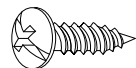



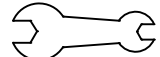
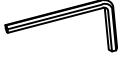


ASSEMBLY INSTRUCTION

E858GM COMPUTER DESK

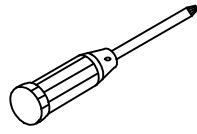
A Desk Top Board  1pc	B Top Shelf Board  1pc	C Keyboard Shelf  1pc	D Leg  4pcs
E Shelf Support Tube  3pcs	F Cup Holder  1pc	G Hook  3pcs	H Support Bracket  2pcs
I Tray Board  2pcs	J Stopper  2pcs	K Keyboard Bracket  4pcs	L Right Slide  1pc
M Left Slide  1pc	N Power Adapter  1pc	O Bolt $\text{Ø}1/4" \times 5/8"$  16pcs	P Bolt $\text{Ø}3/16" \times 1/2"$  27pcs
Q Bolt $\text{Ø}3/16" \times 3/8"$  8pcs	R Bolt $\text{Ø}3/16" \times 1/4"$  4pcs	S Bolt $M4 \times 25\text{mm}$  12pcs	T Bolt $M4 \times 15\text{mm}$  4pcs
U Flat Washer $\text{Ø}12\text{mm}$  51pcs	V Flat Washer $\text{Ø}20\text{mm}$  6pcs	W Nut $\text{Ø}3/16"$  4pcs	X Wrench $8-11 \times 12 \times 68\text{mm}$  1pc

Y Allen Key
M4

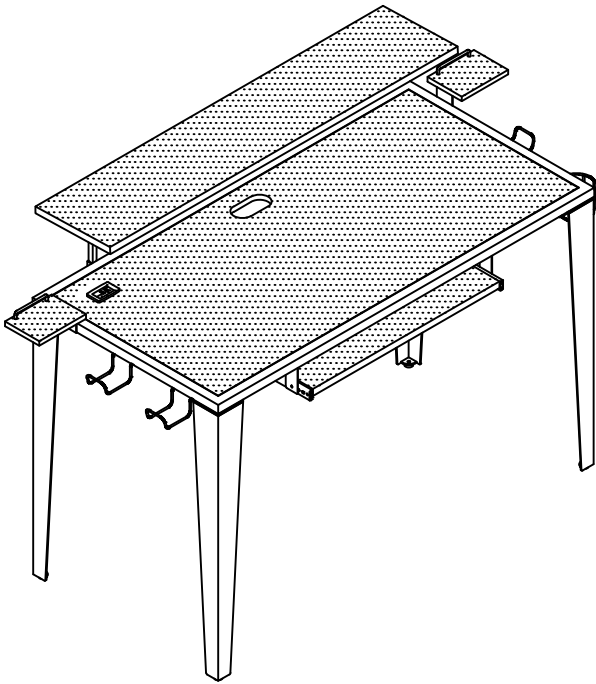


1pc

Z Screwdriver
(Not Provided)

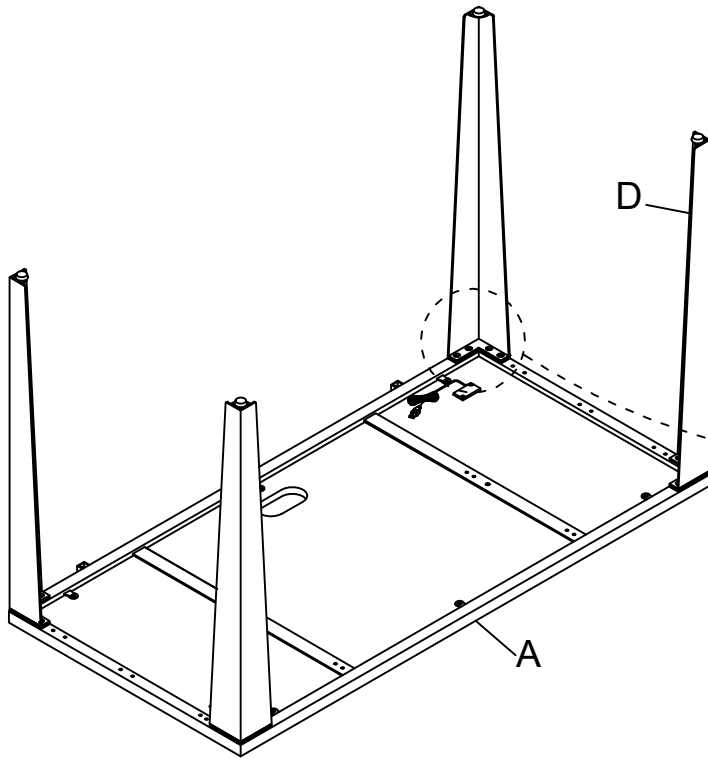




1pc

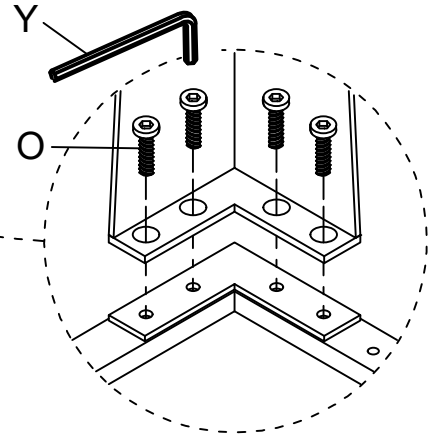


This page lists all the contents included in the box. Please take the time to identify the hardware as well as the individual components to this product. As you unpack and prepare for assembly, place the contents on a carpeted or padded area to protect them from damage.

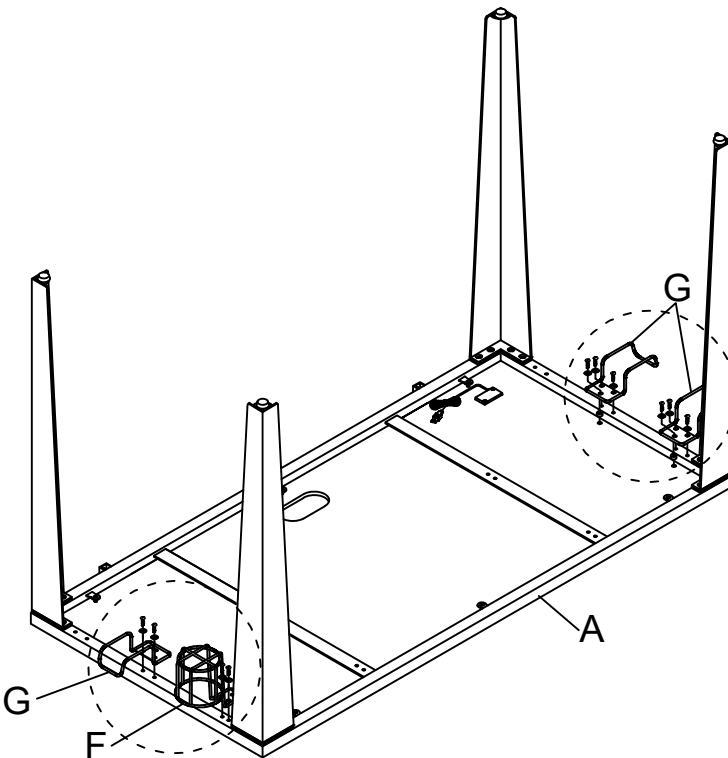
1 Assemble Leg (D) to the Desk Top Board (A) with Bolt (O), then fastened using Allen Key (Y).







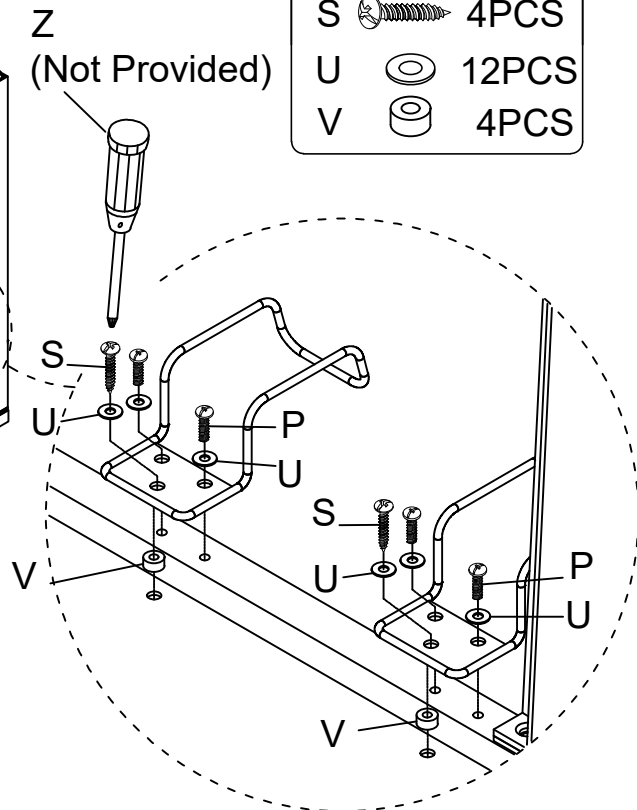
- | | | |
|---|---|-------|
| O |  | 16PCS |
| Y |  | |



2 Assemble Cup Holder (F) and Hook (G) to the Desk Top Board (A) with Bolt (P), Bolt (S), Flat Washer (U), Flat Washer (V), then fastened using Screwdriver (Z).

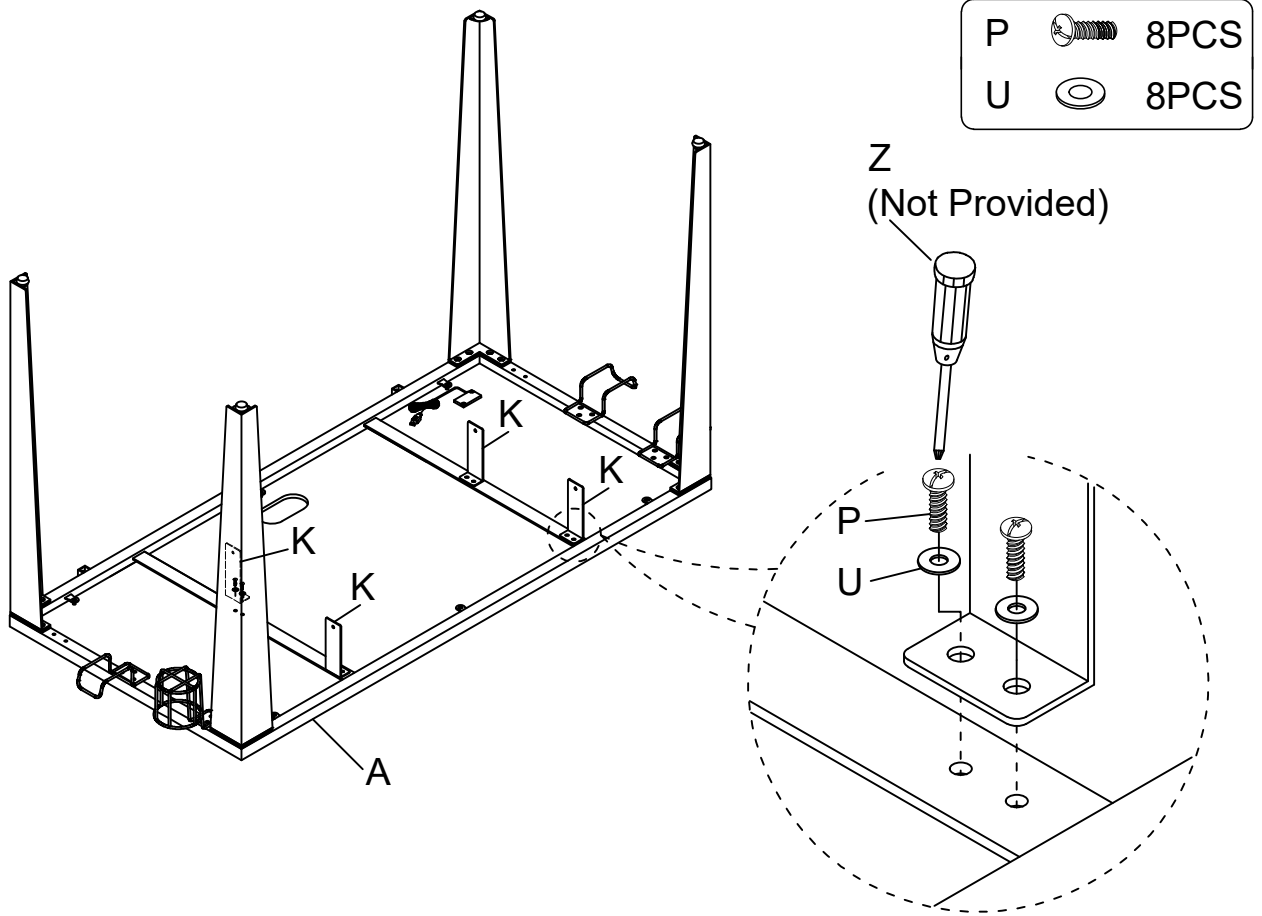


- | | | |
|---|---|-------|
| P |  | 8PCS |
| S |  | 4PCS |
| U |  | 12PCS |
| V |  | 4PCS |



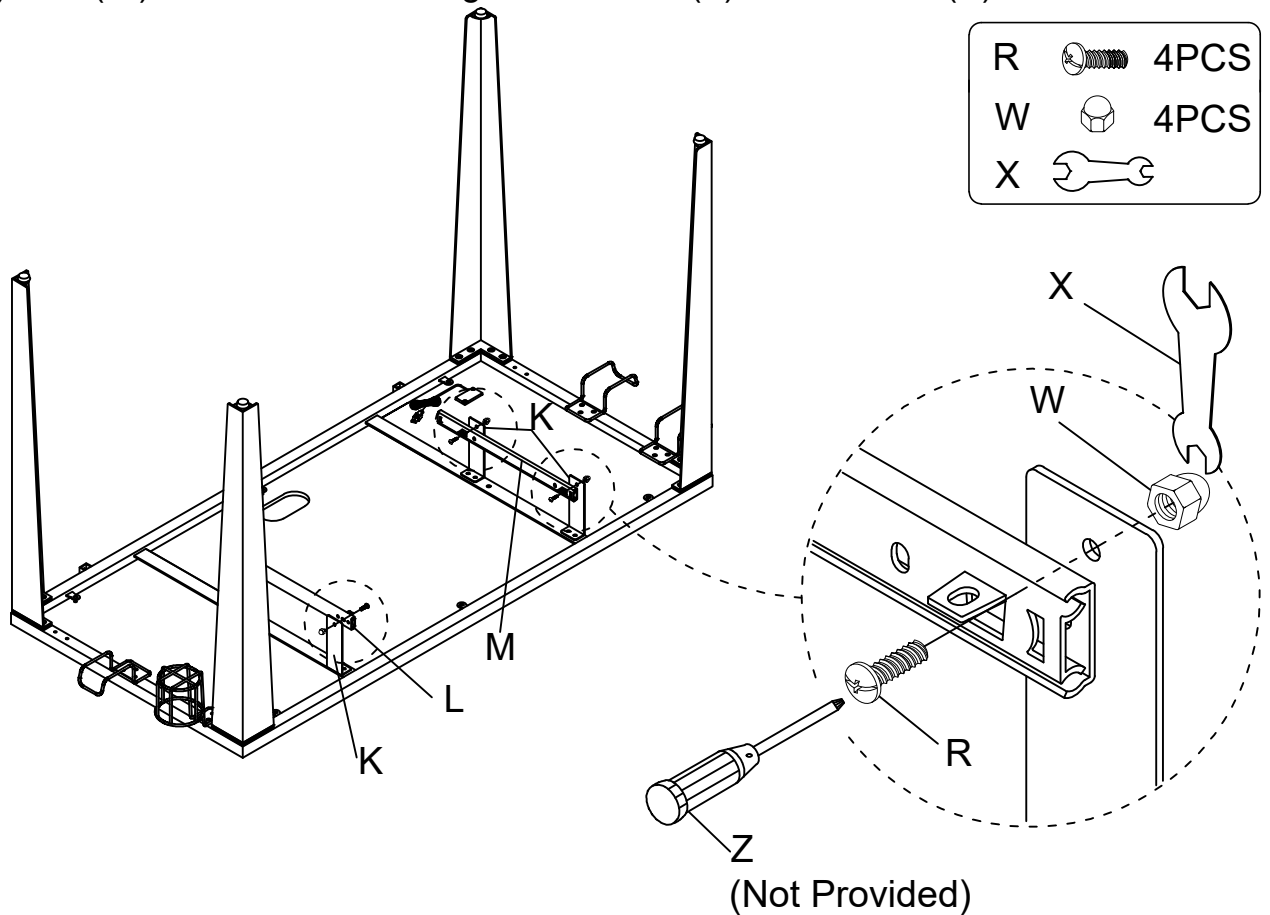
3

Assemble Keyboard Bracket (K) to the Desk Top Board (A) with Bolt (P), Flat Washer (U), then fastened using Screwdriver (Z).

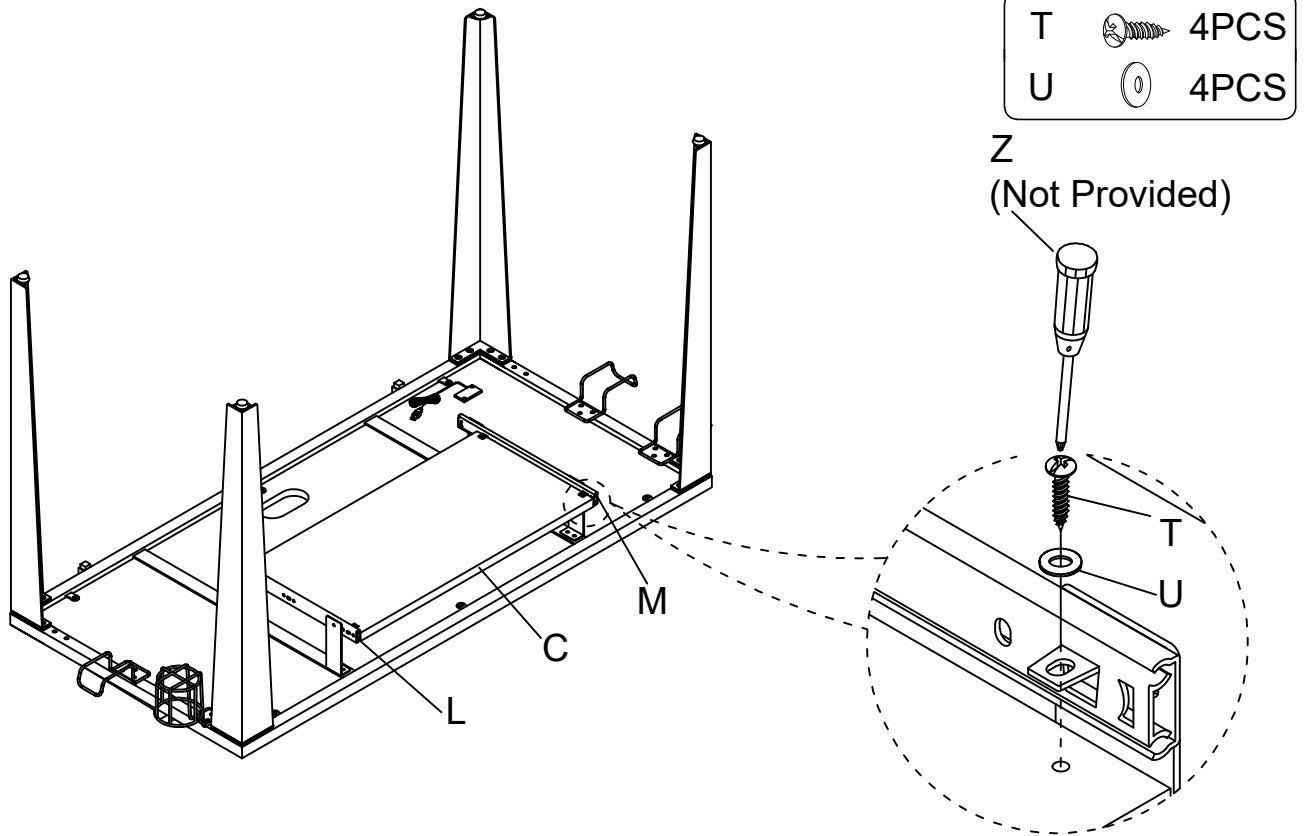


4

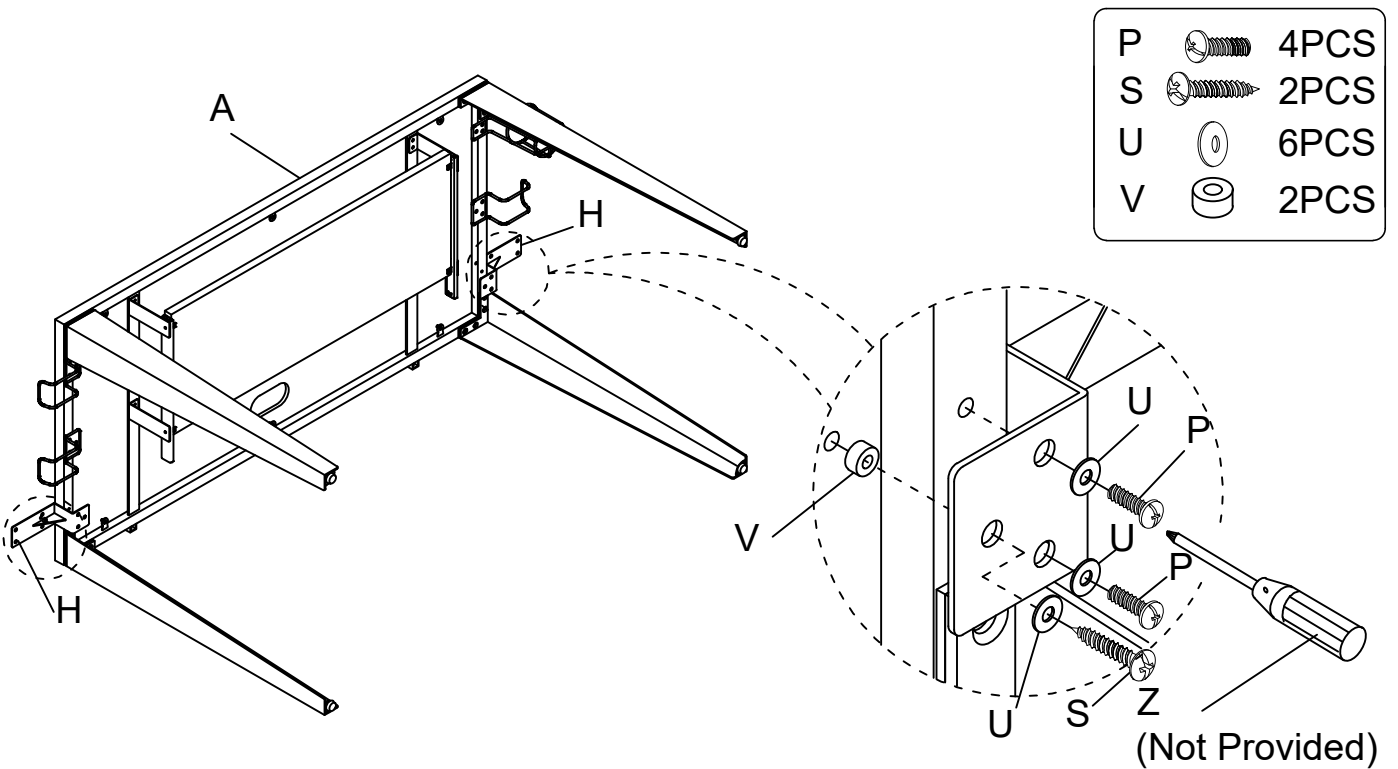
Assemble Right Slide (L) and Left Slide (M) to the Keyboard Bracket (K) with Bolt (R), Nut (W), then fastened using Screwdriver (Z) and Wrench (X).



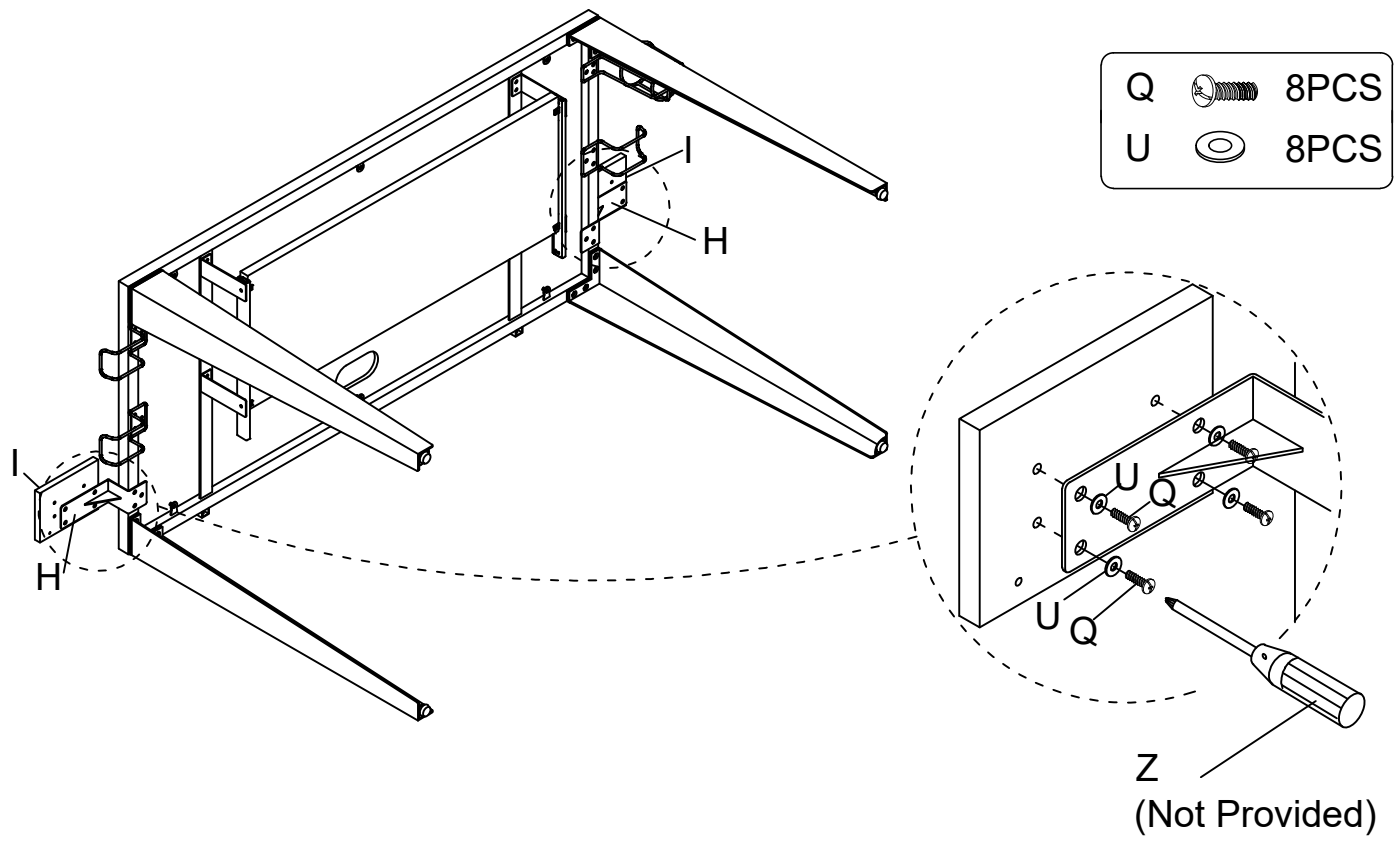
5 Assemble Keyboard Shelf (C) to the Right Slide (L) and Left Slide (M) with Bolt (T), Flat Washer (U), then fastened using Screwdriver (Z).



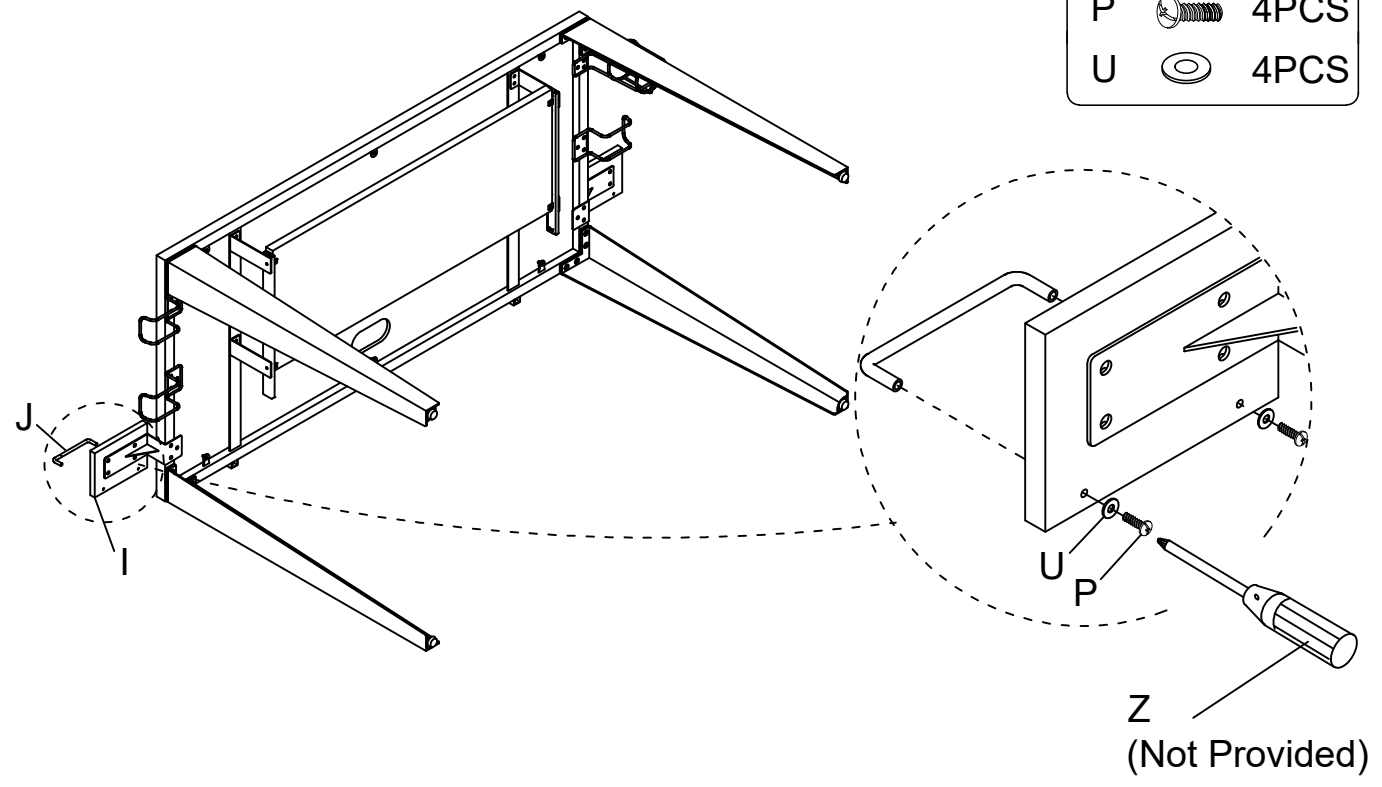
6 Assemble Support Bracket (H) to the Desk Top Board (A) with Bolt (P), Bolt (S), Flat Washer (U), Flat Washer (V), then fastened using Screwdriver (Z).



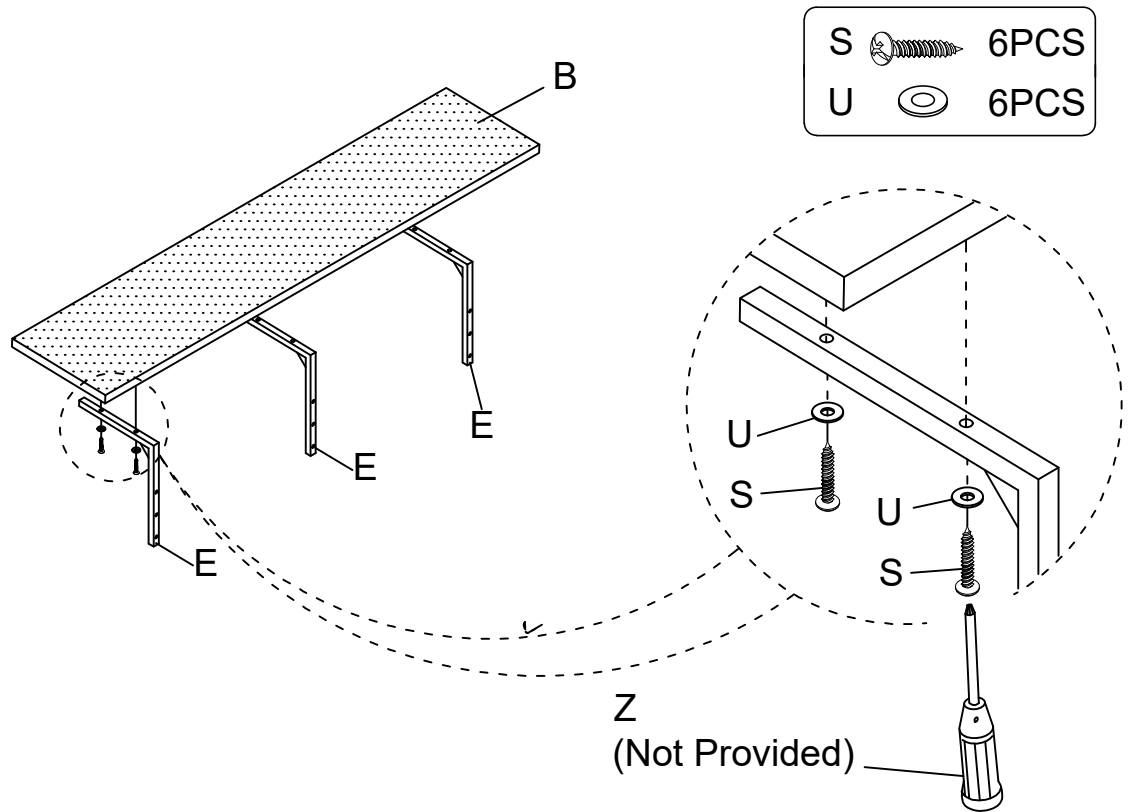
7 Assemble Tray Board (I) to the Support Bracket (H) with Bolt (Q), Flat Washer (U), then fastened using Screwdriver (Z).



8 Assemble Stopper (J) to the Tray Board (I) with Bolt (P), Flat Washer (U), then fastened using Screwdriver (Z).

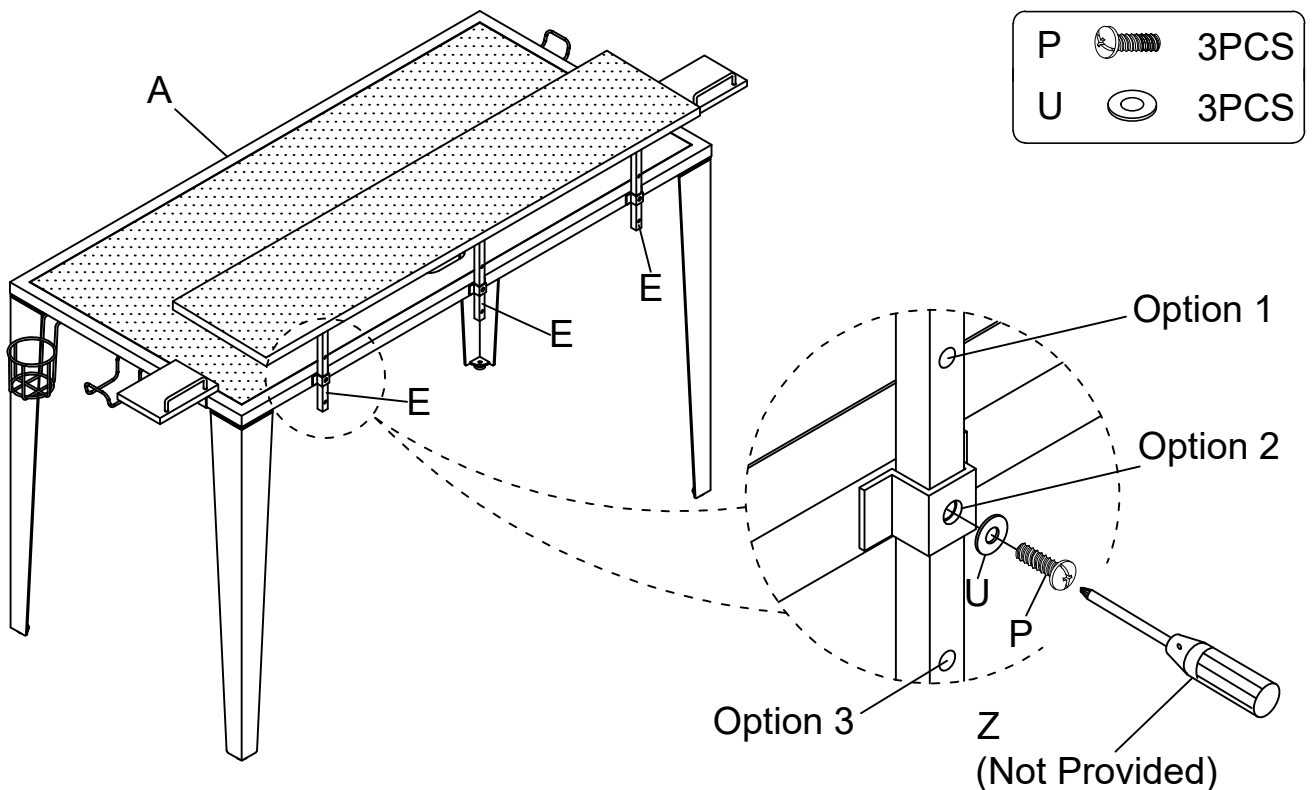


9 Assemble Top Shelf Board (B) to the Support Tube (E) with Bolt (S), Flat Washer (U), then fastened using Screwdriver (Z).



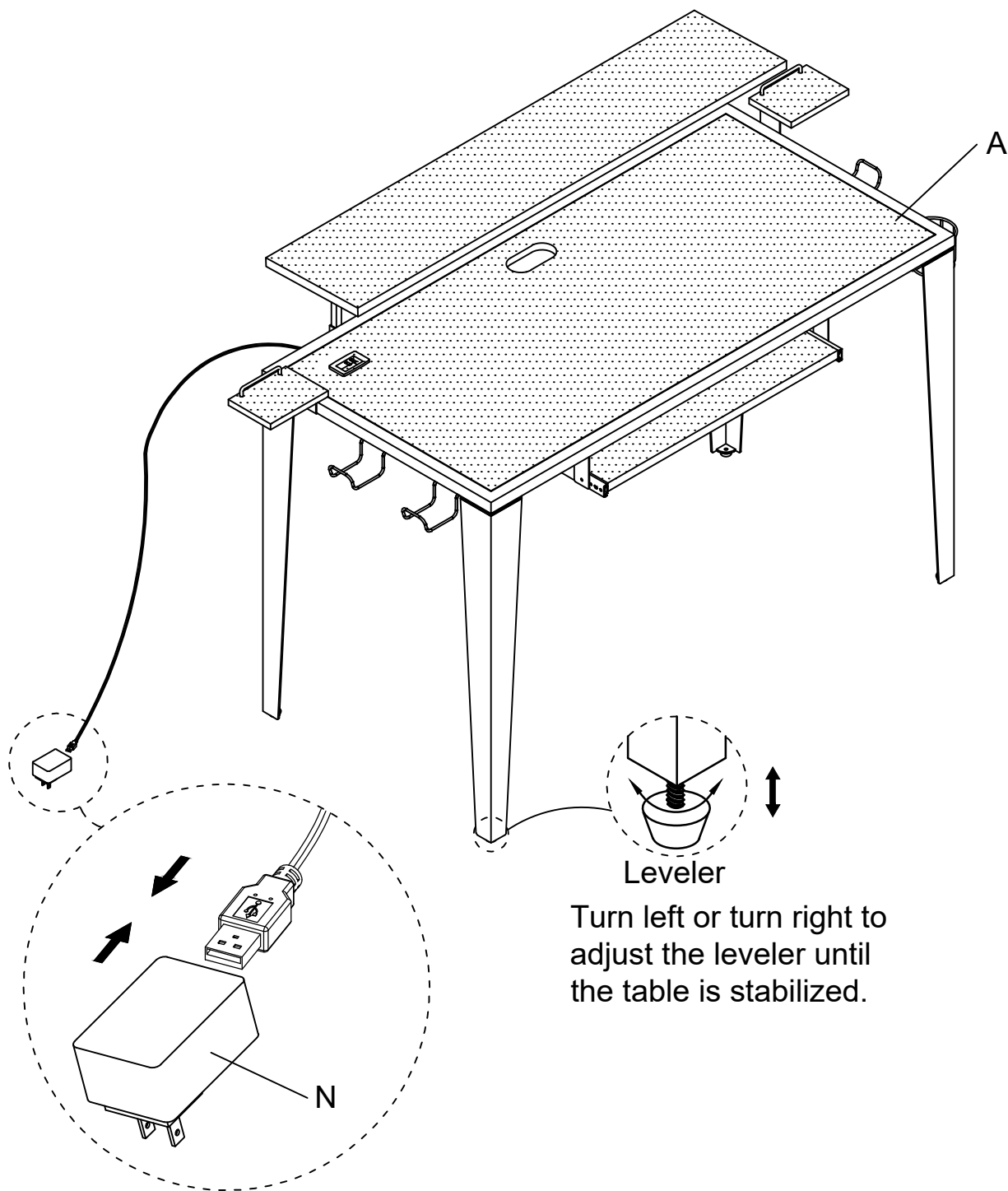
10 Assemble Shelf Support Tube (E) to the Desk Top Board (A) with Bolt (P), Flat Washer (U), then fastened using Screwdriver (Z).

Remark: There are 3 options regarding the height of the Shelf Support Tube (E) for you to choose.



11

Connect the wire of Desk Top Board (A) to Power Adapter (N) as picture shown.



Adjust any parts out of alignment and tighten all bolts and screws from steps 1 through 11.

Cleaning & Care

Treat surface with care. Surface is resistant to scratches but is not scratch resistant. Clean surfaces with a dry or damp soft cloth. Do not use abrasive cleaners. Hardware may loosen over time. Periodically check that all connections are tight.