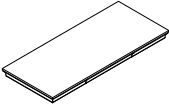
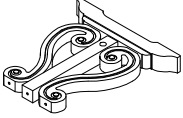
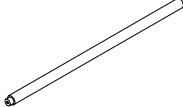
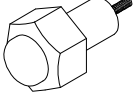
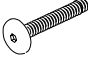



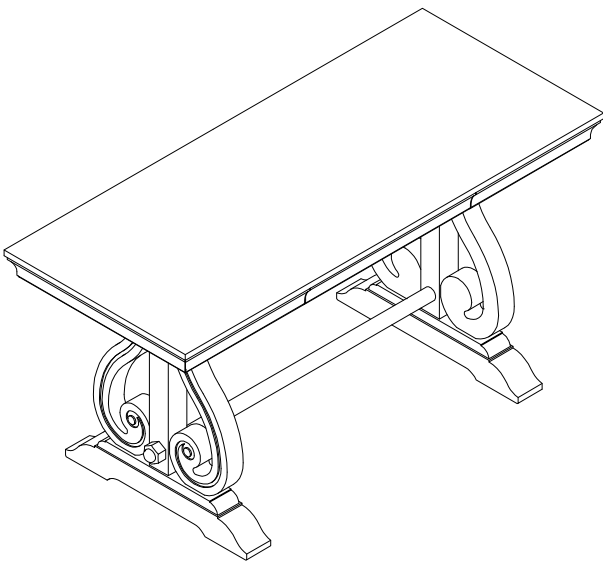


ASSEMBLY INSTRUCTION

5438-15 (SPK) 1 DRAWER WRITING DESK

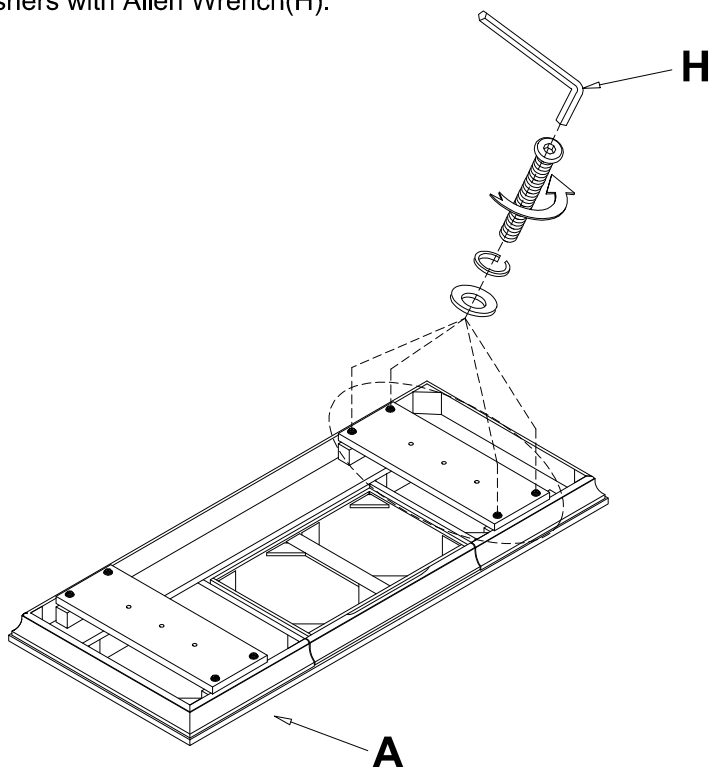
A Table Top 	B Leg 	C Cross Bar 	D Trim 
1 pc	2 pcs	1 pc	2 pcs
E Bolt 1/4" - 20 x 2"	F Lock Washer 1/4"	G Flat Washer 1/4"	H Allen Wrench 1/6"
			
6 pcs	6 pcs	6 pcs	1 pc



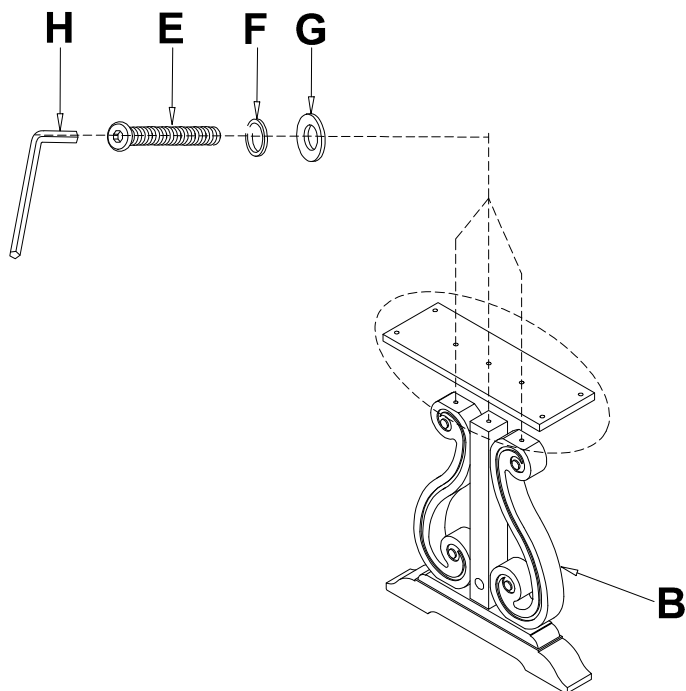
This page lists all the contents included in the box. Please take the time to identify the hardware as well as the individual components to this product. As you unpack and prepare for assembly, place the contents on a carpeted or padded area to protect them from damage.

1

Place the Table Top(A) upside down smooth carpet surface. Remove the Bolts, Lock Washers and Flat Washers with Allen Wrench(H).

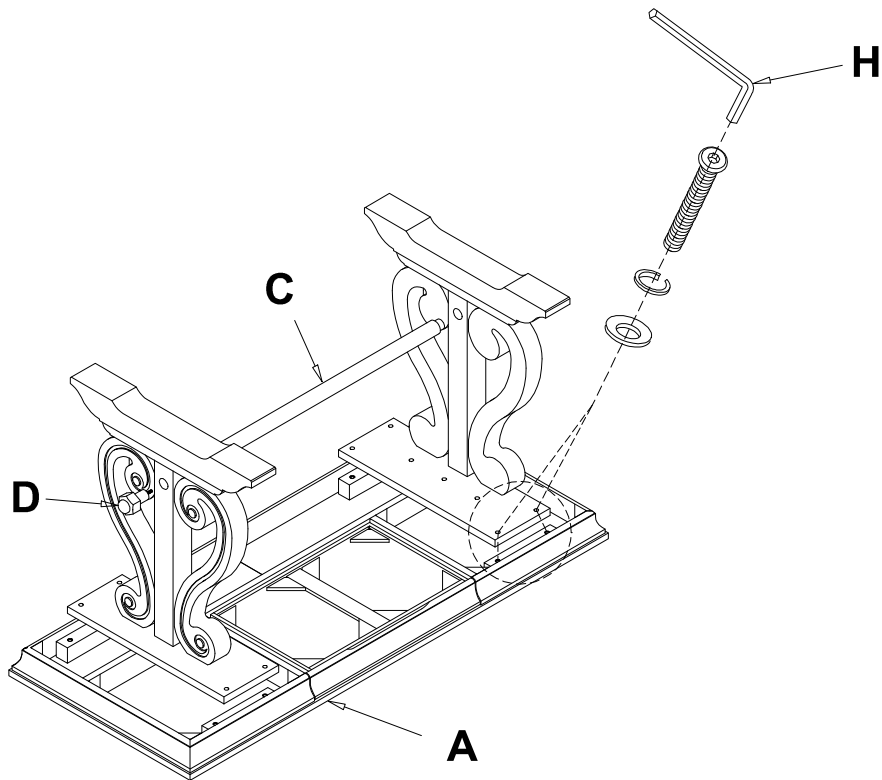
**2**

Tighten the Leg(B) and Mounting Plate by Bolts(E), Lock Washers(F) and Flat Washers(G) with Allen Wrench(H).



3

Tighten the Table Top(A), Cross Bar(C), Trim(D) and Mounting Plate by using the removed Bolts, Lock Washers and Flat Washers which removed from STEP1 with Allen Wrench(H).



Cleaning & Care

Treat surface with care. Surface is resistant to scratches but is not scratch resistant. Clean surfaces with a dry or damp soft cloth. Do not use abrasive cleaners. Hardware may loosen over time. Periodically check that all connections are tight.