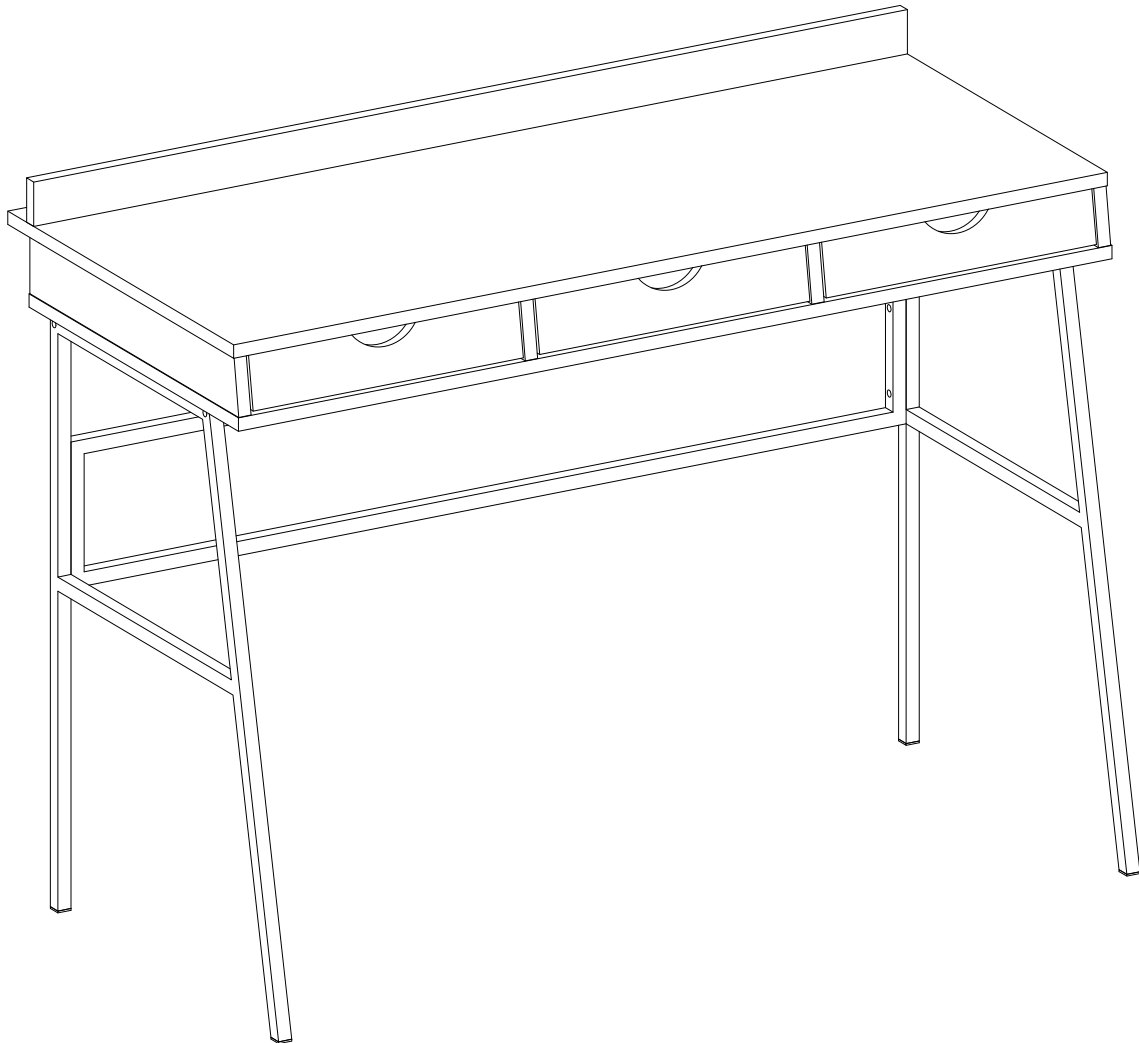


Item # : D42MAR3D
Assembly Instructions



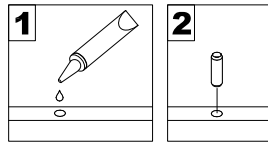
Walker Edison®

Please visit our website for the most current instructions, assembly tips, report damage, or request parts. www.walkerediton.com

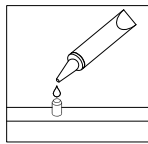
Revised 28/11/2019(C)

General Assembly Guidelines

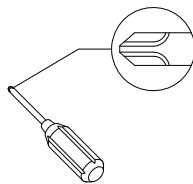
- I. Ensure that all parts and hardware are available before beginning assembly.
- II. Follow each step carefully to ensure the proper assembly of this product.
- III. Two people are recommended for ease in the assembly of this product.
- IV. The three main types of hardware used to assemble this product are: wood dowels, screws and bolts.
- V. The provided glue is to secure wood dowels in place. When first inserting dowels, locate the appropriate hole for the dowel, place a small amount of glue in the hole and insert the dowel. Wipe away excess glue immediately.



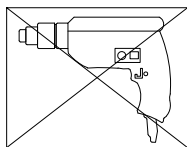
In future assembly steps when dowels are necessary to attach assembly parts together, place a small amount of glue on the end of the dowel before attaching parts together. Wipe away excess glue immediately.



- VI. A Phillips head screwdriver is required for the assembly of this product .

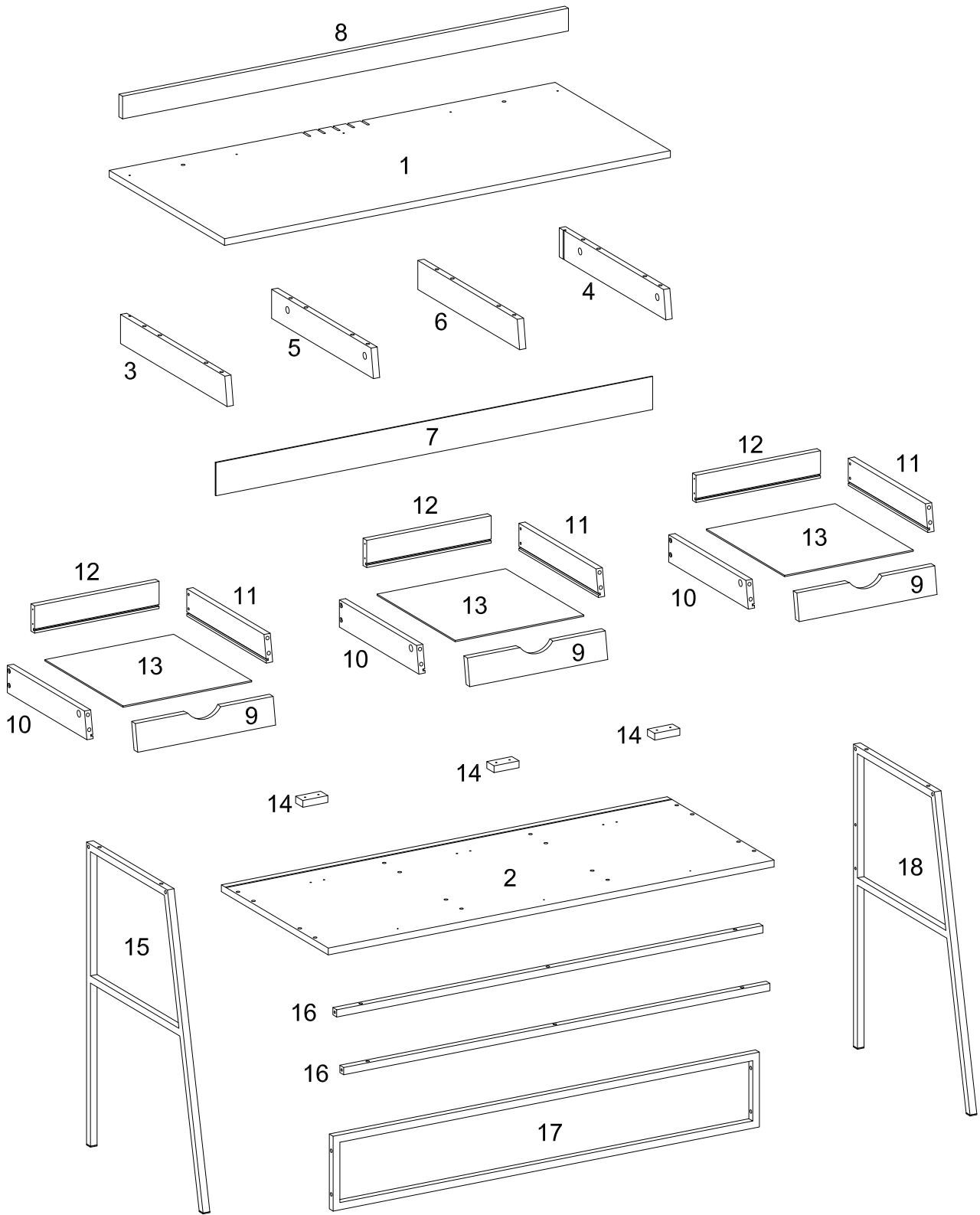


- VII. Power tools should not be used to assemble this product.


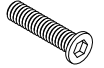




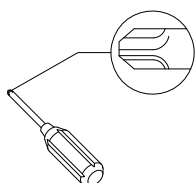
- VIII. Drill may be needed for securing product to wall.

Parts List



Hardware List

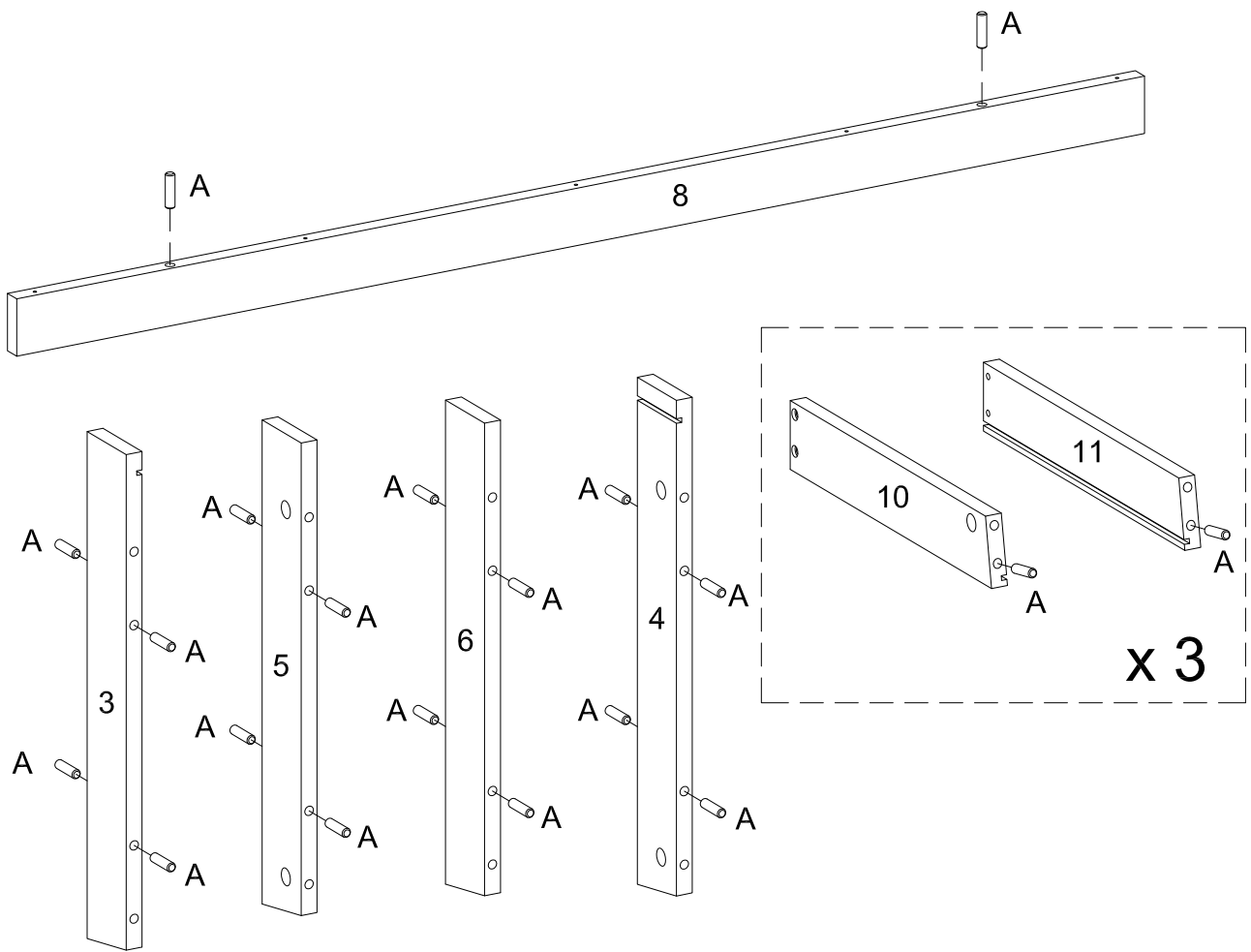
A		Ø8x30mm	Wooden dowel	24 pcs
B		Ø15x11mm	Cam lock	14 pcs
C		Ø6x35mm	Cam bolt	14 pcs
D		Ø6x50mm	Screw	8 pcs
E		M 4	Hex Key	1 pc
F		Ø6x25mm	Bolt	18 pcs
G		Ø30mm	Sticker	14 pcs
H		Ø4x25mm	Screw	6 pcs
J		Ø4x32mm	Screw	17 pcs
K			Plastic wedge	3 pcs
L		Ø3.5x14mm	Screw	3 pcs
M			Plastic wedge	4 pcs
N		Ø3x17mm	Screw	4 pcs
P			Glue tube	1 pc



Philips head screwdriver required for assembly
(not included)

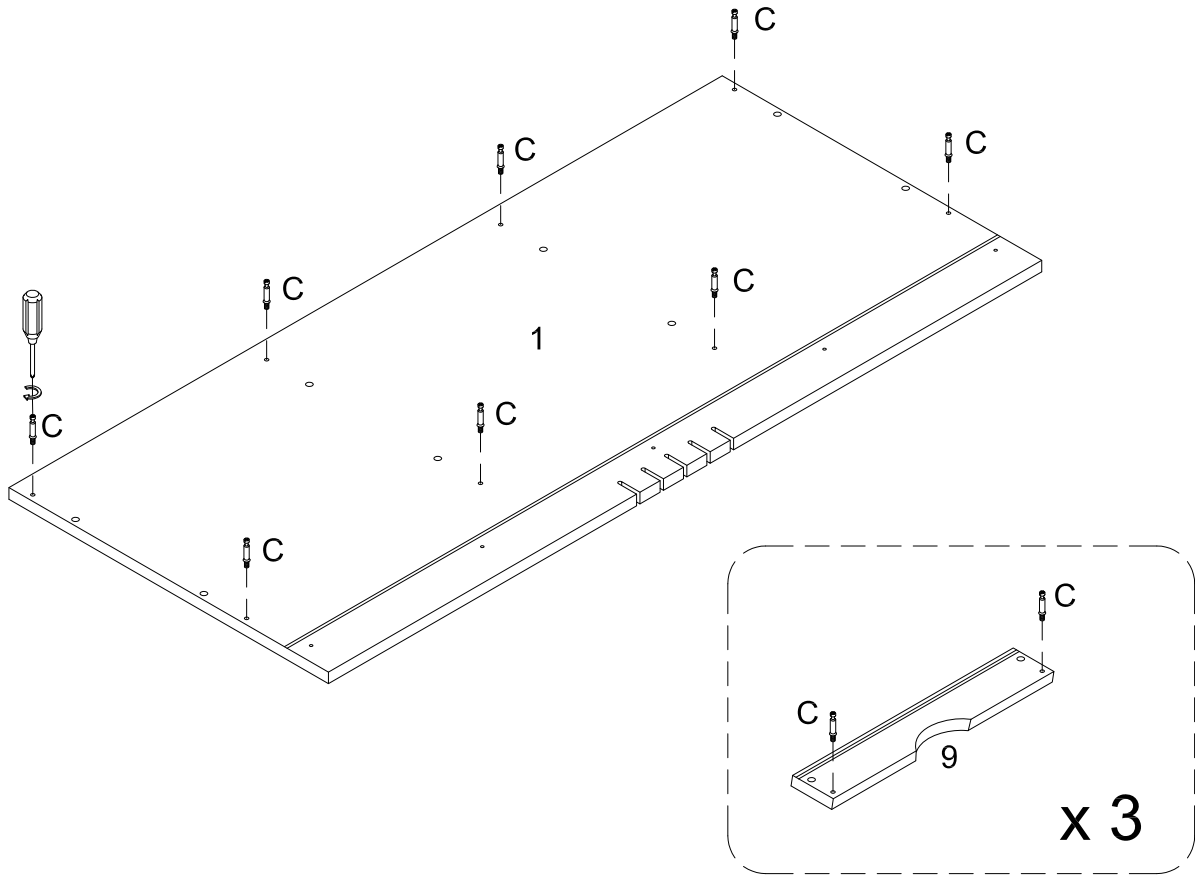
*The hardware quantities listed above are required for proper assembly.
Some extra hardware may also have been included.*

Step 1



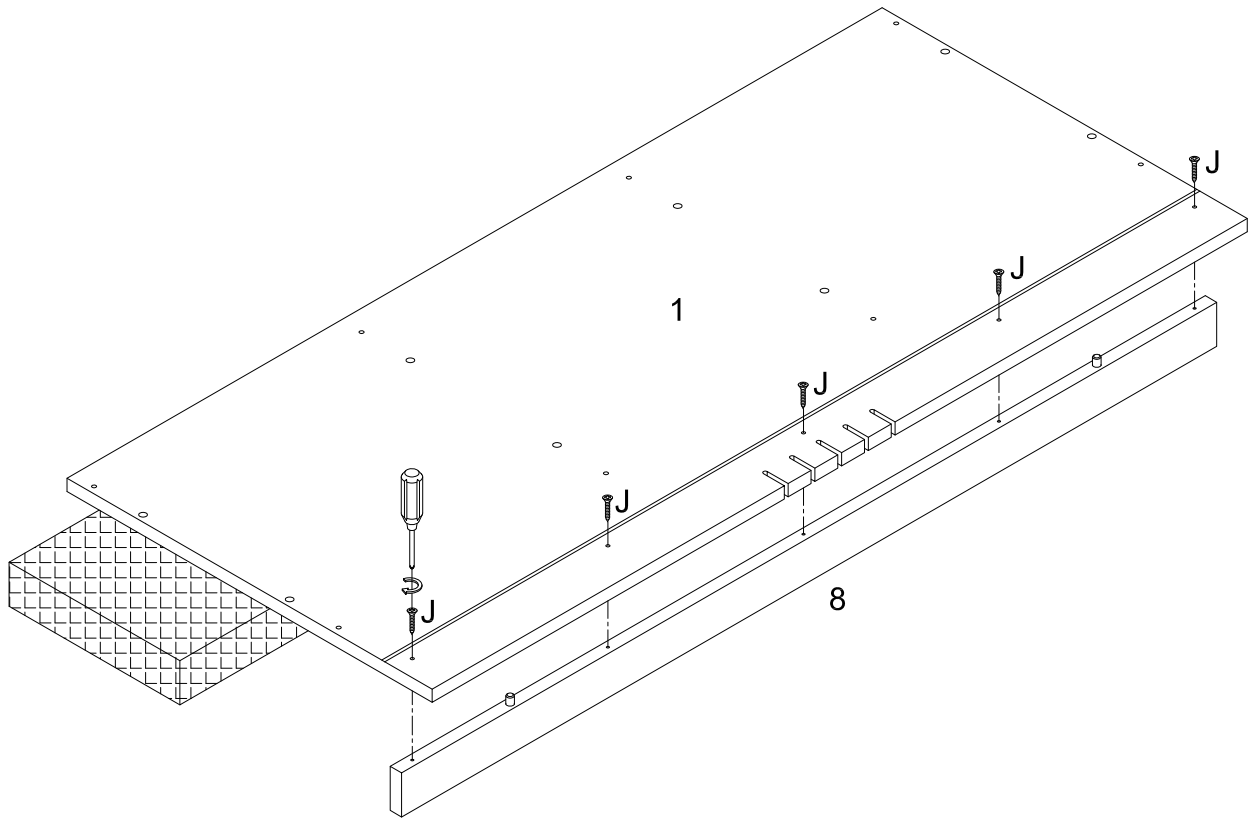
Insert wooden dowel (A) into parts (3,4,5,6,8,10,11) as per diagram.

Step 2



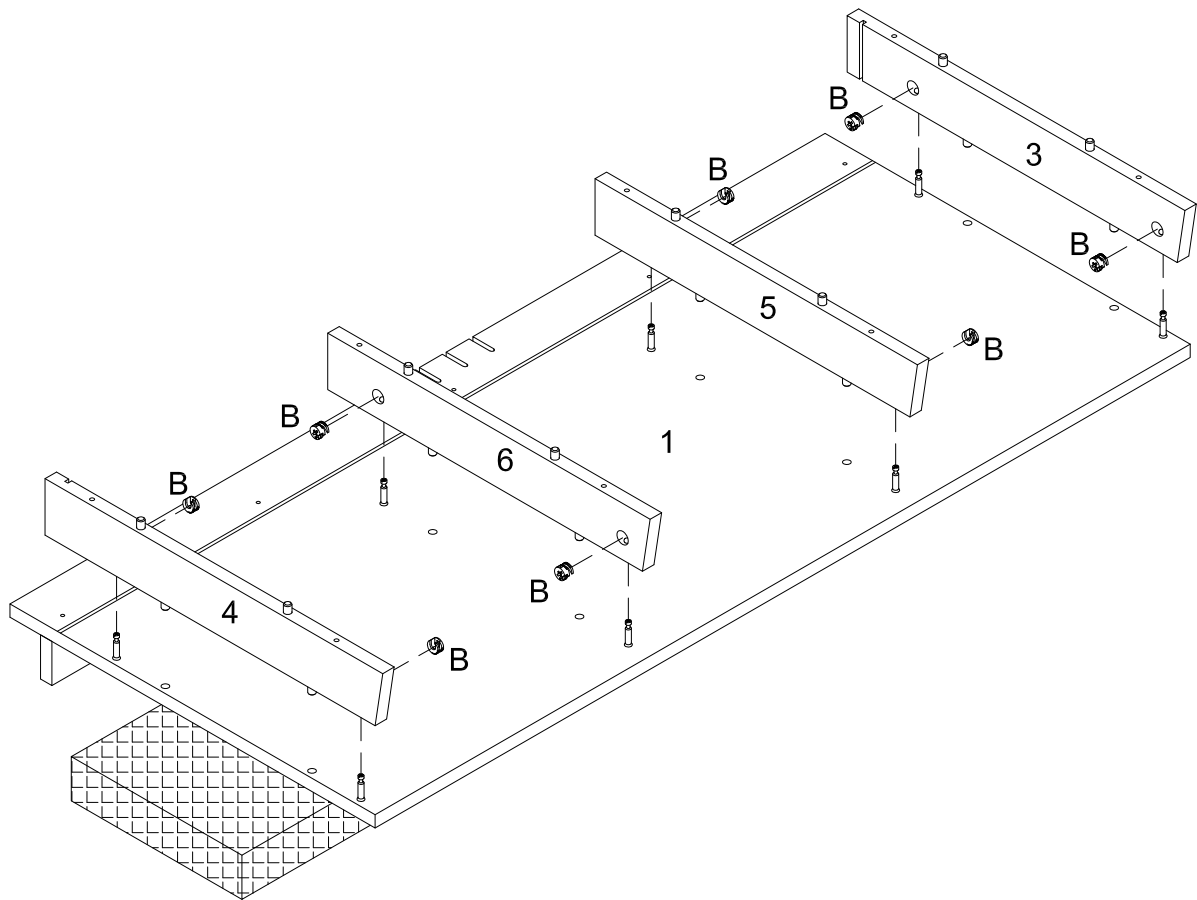
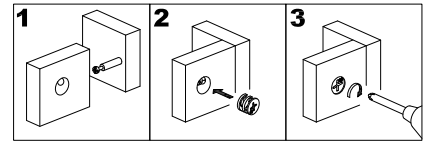
Secure cam bolt (C) into parts (1,9) with Philips head screwdriver as per diagram.

Step 3



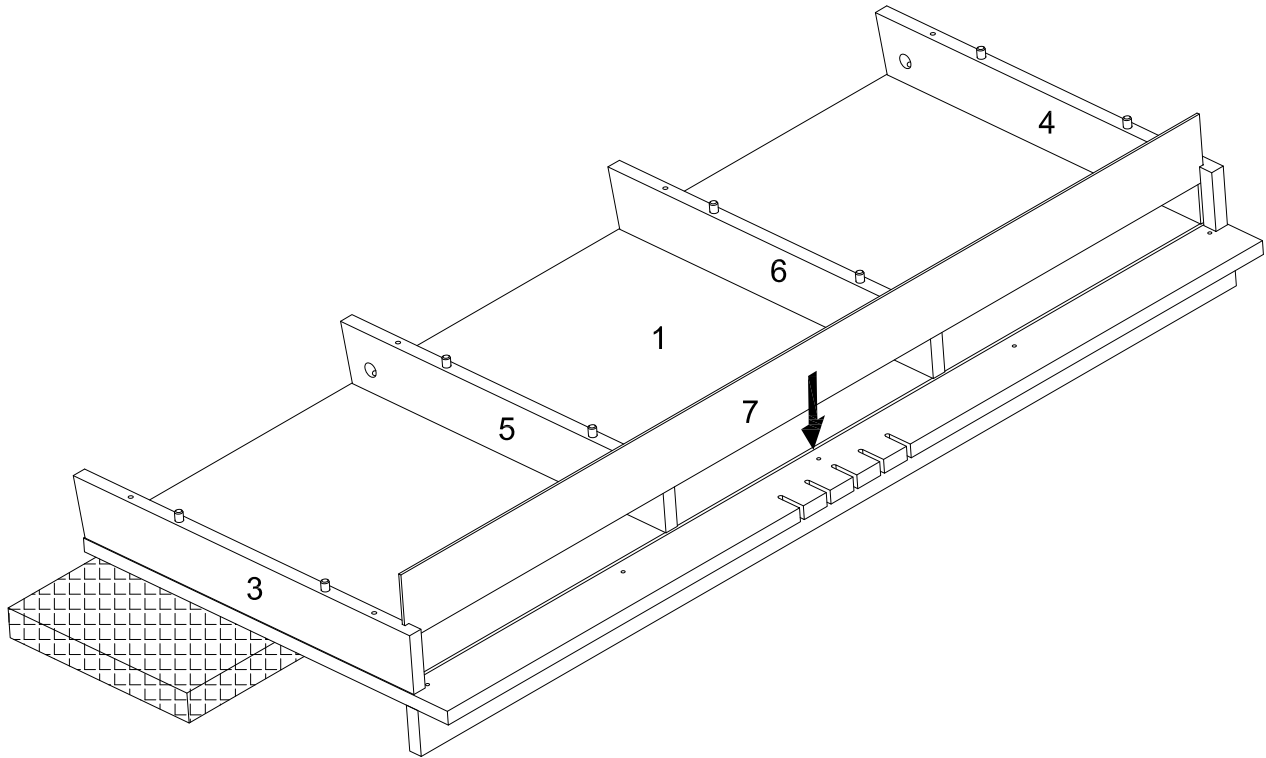
Using screw (J) attach part (1) to part (8) with Philips head screwdriver as per diagram.

Step 4



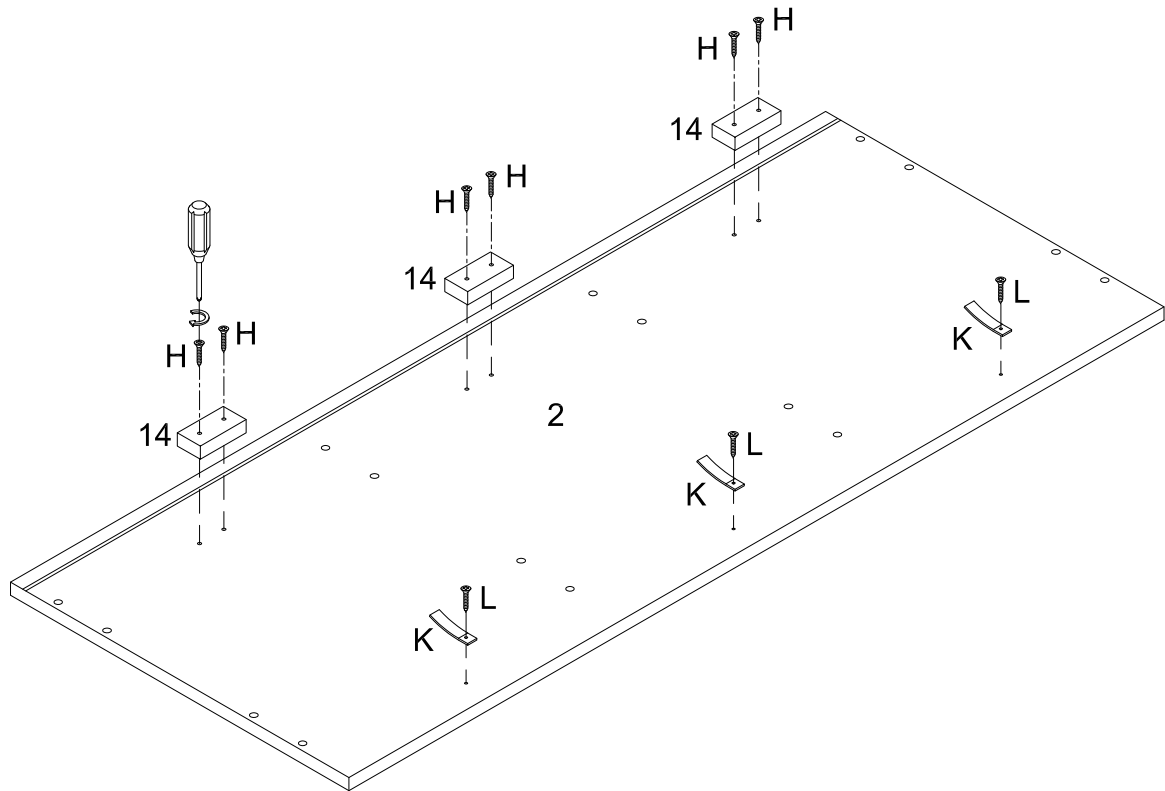
Using cam lock(B) secure parts (3,4,5,6) to part (1) with Philips head screwdriver as per diagram.

Step 5



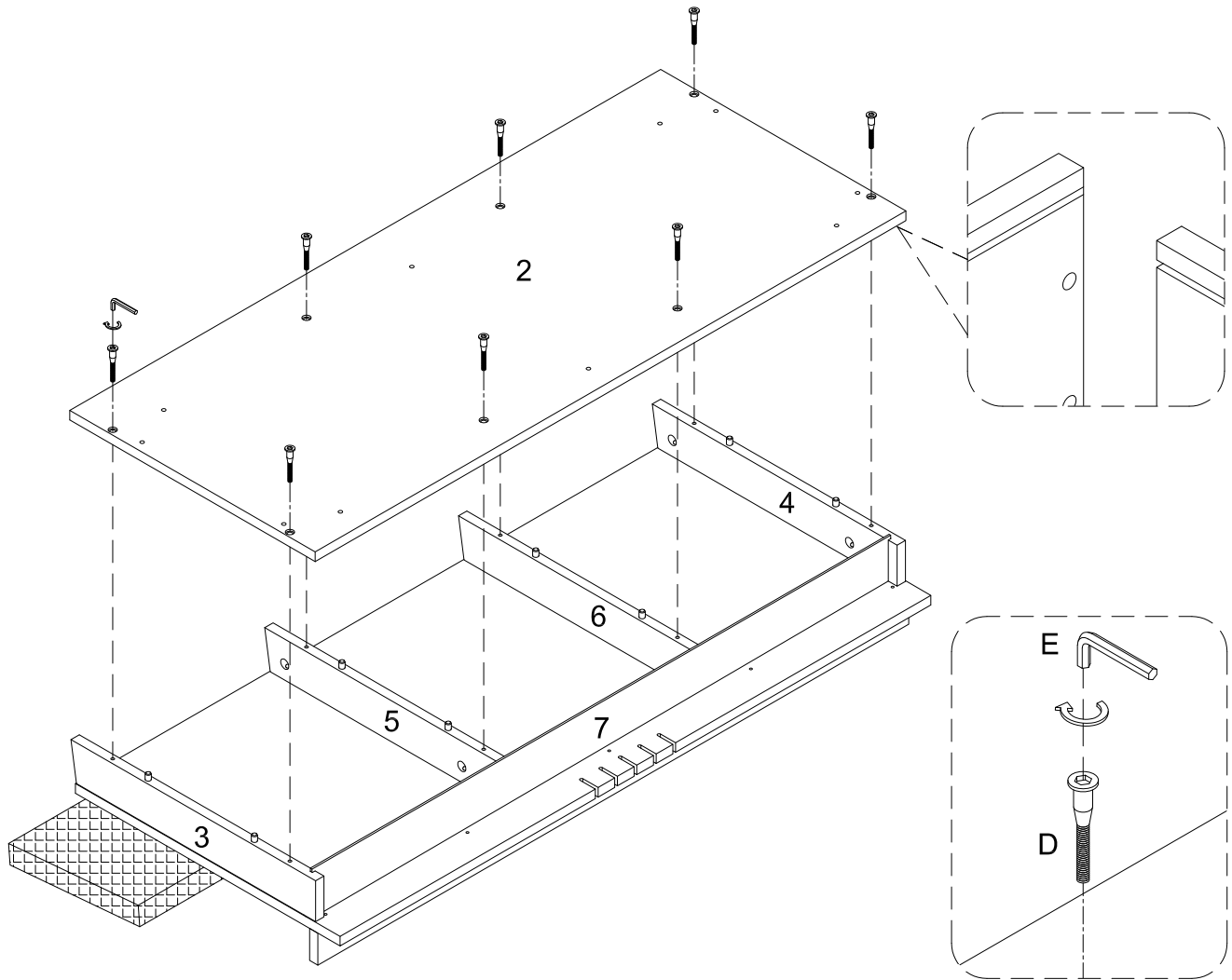
Put part (7) as per diagram.

Step 6



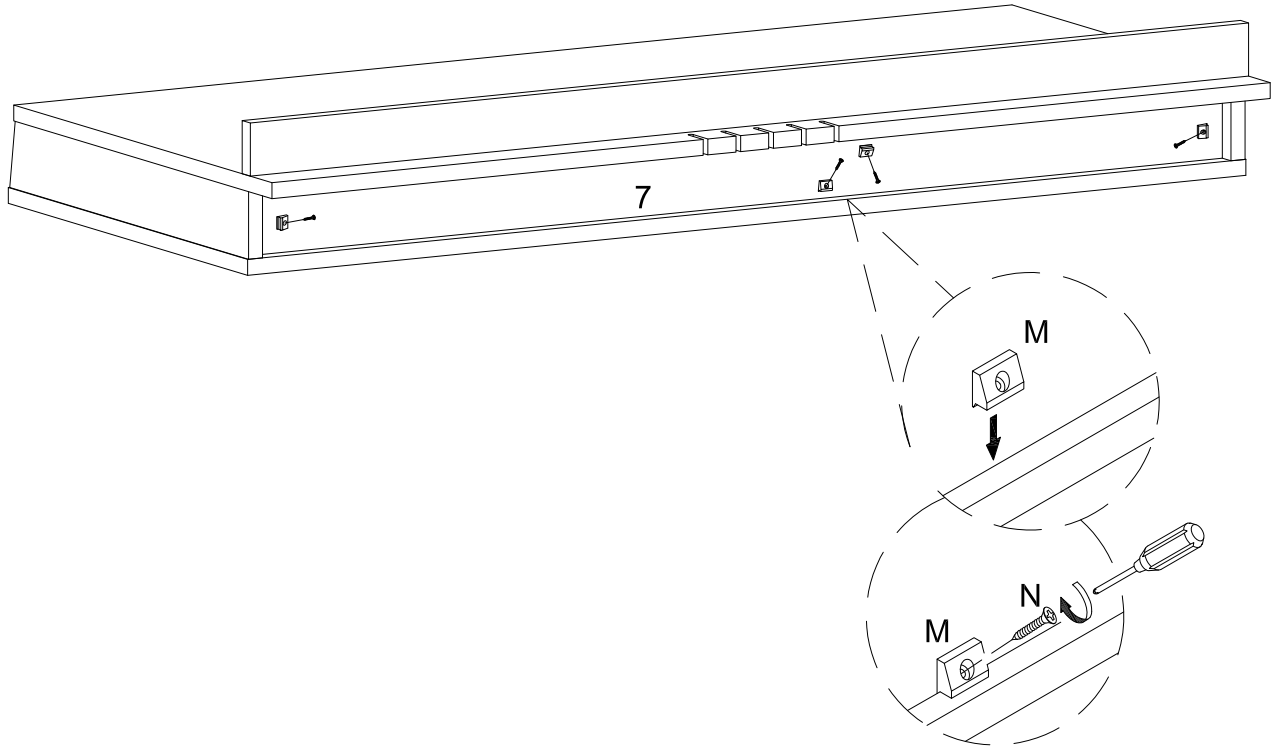
Using screw (H) attach part (14) , screw (L) attach plastic wedge (K) to part (2) with Philips head screwdriver as per diagram.

Step 7



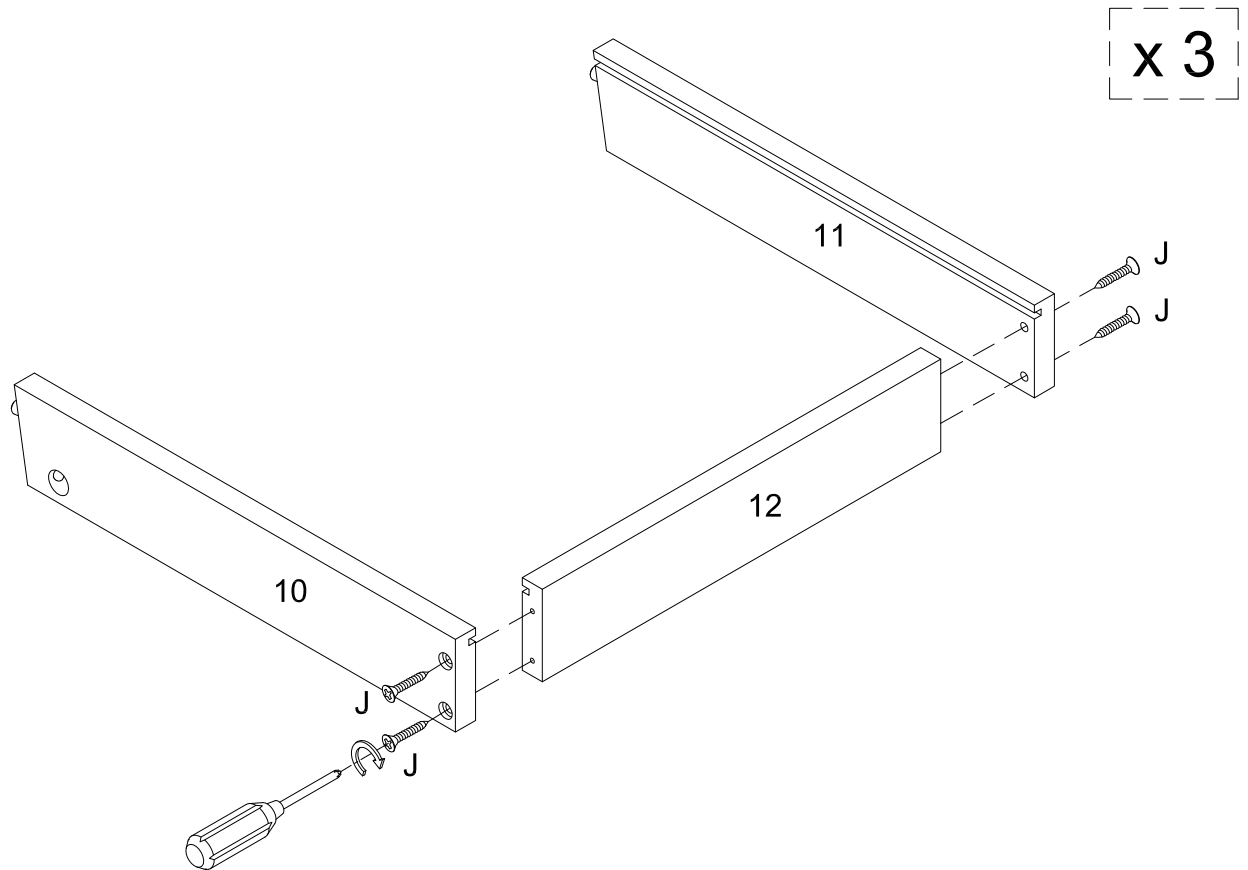
Using screw (D) attach part (2) into parts (3,4,5,6) with hex key (E) as per diagram.

Step 8



Using screw (N) secure plastic wedge (M) to part (7) with Philips head screwdriver as per diagram.

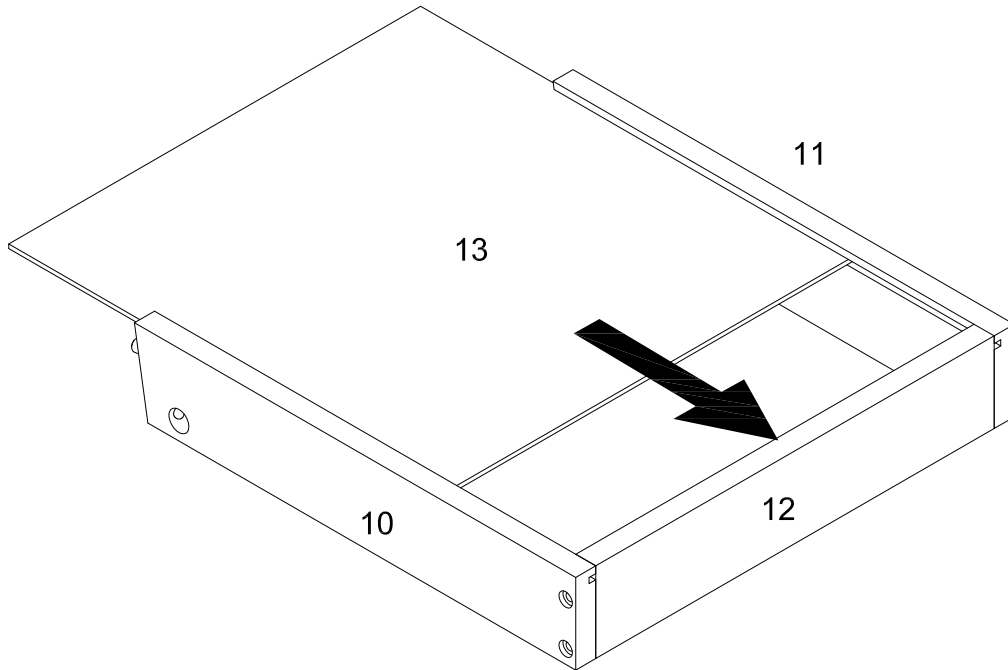
Step 9



Using screw (J) attach parts (10,11) to part (12) with Philips head screwdriver as per diagram.

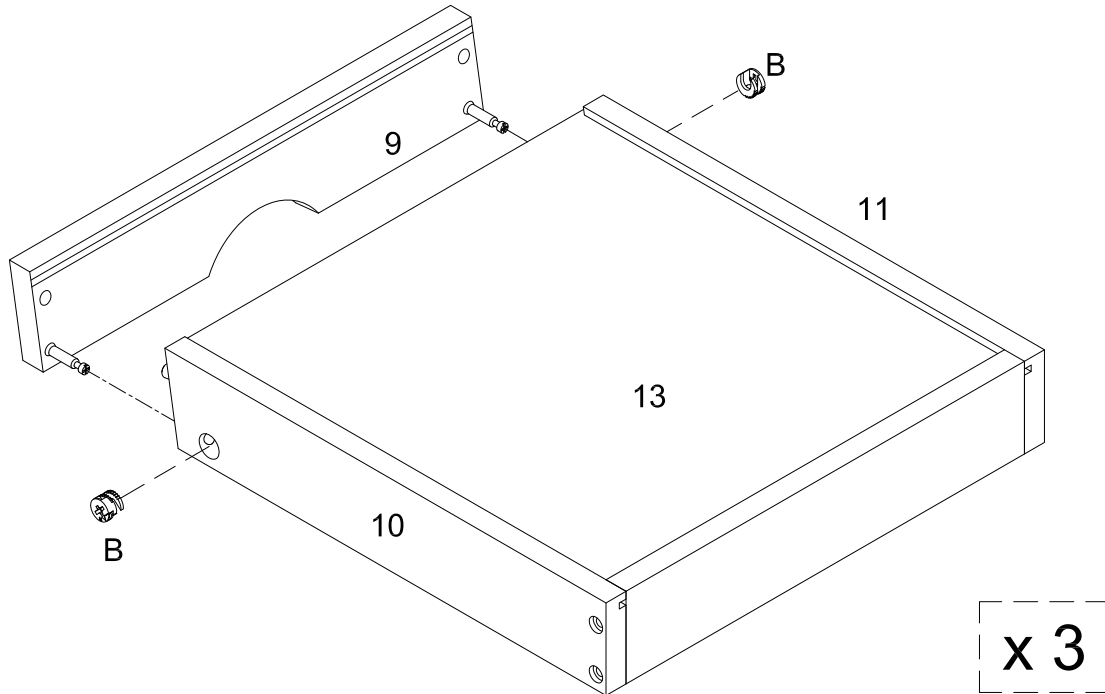
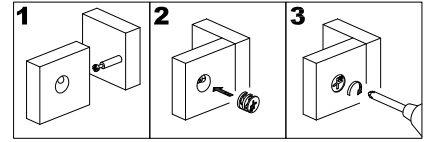
Step 10

x 3



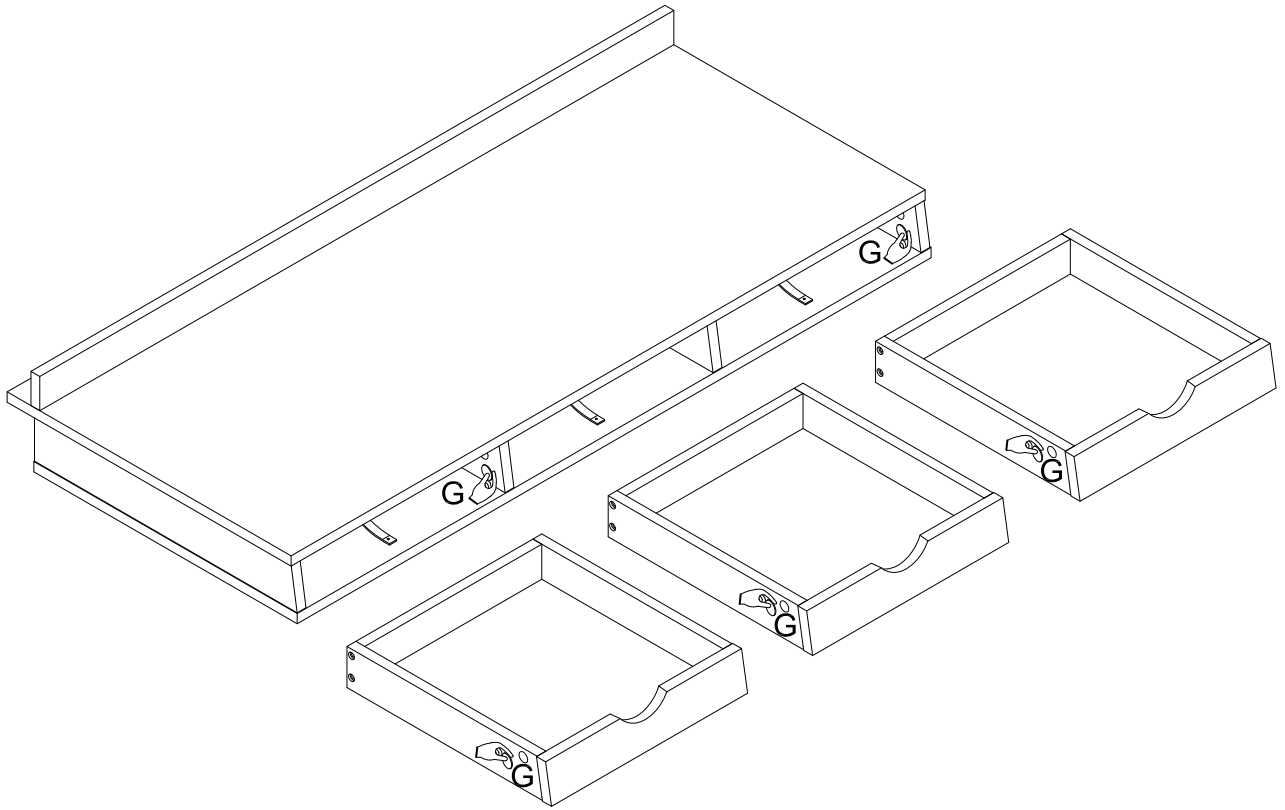
Put part (13) as per diagram.

Step 11



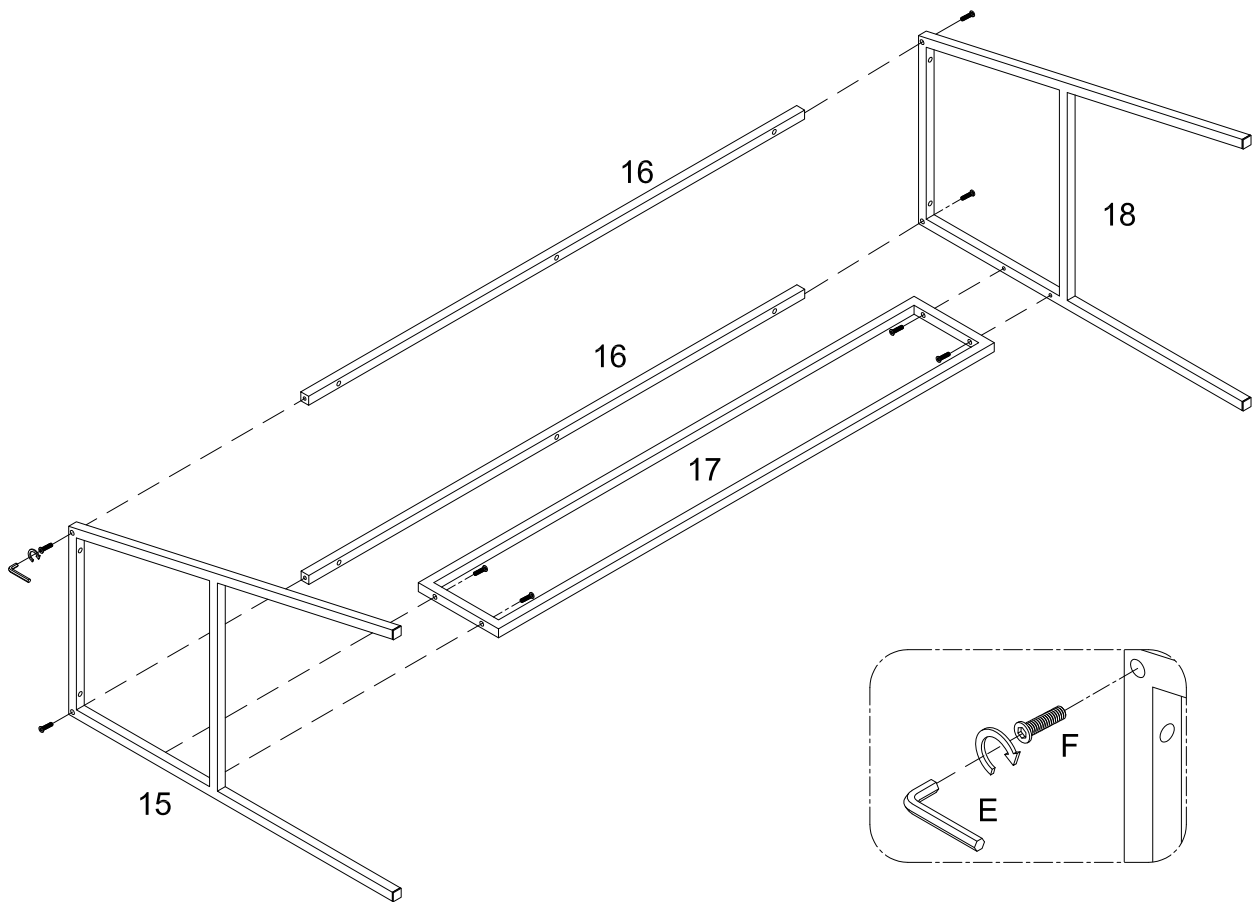
Using cam lock(B) secure part (9) to parts (10,11,13) with Philips head screwdriver as per diagram.

Step 12



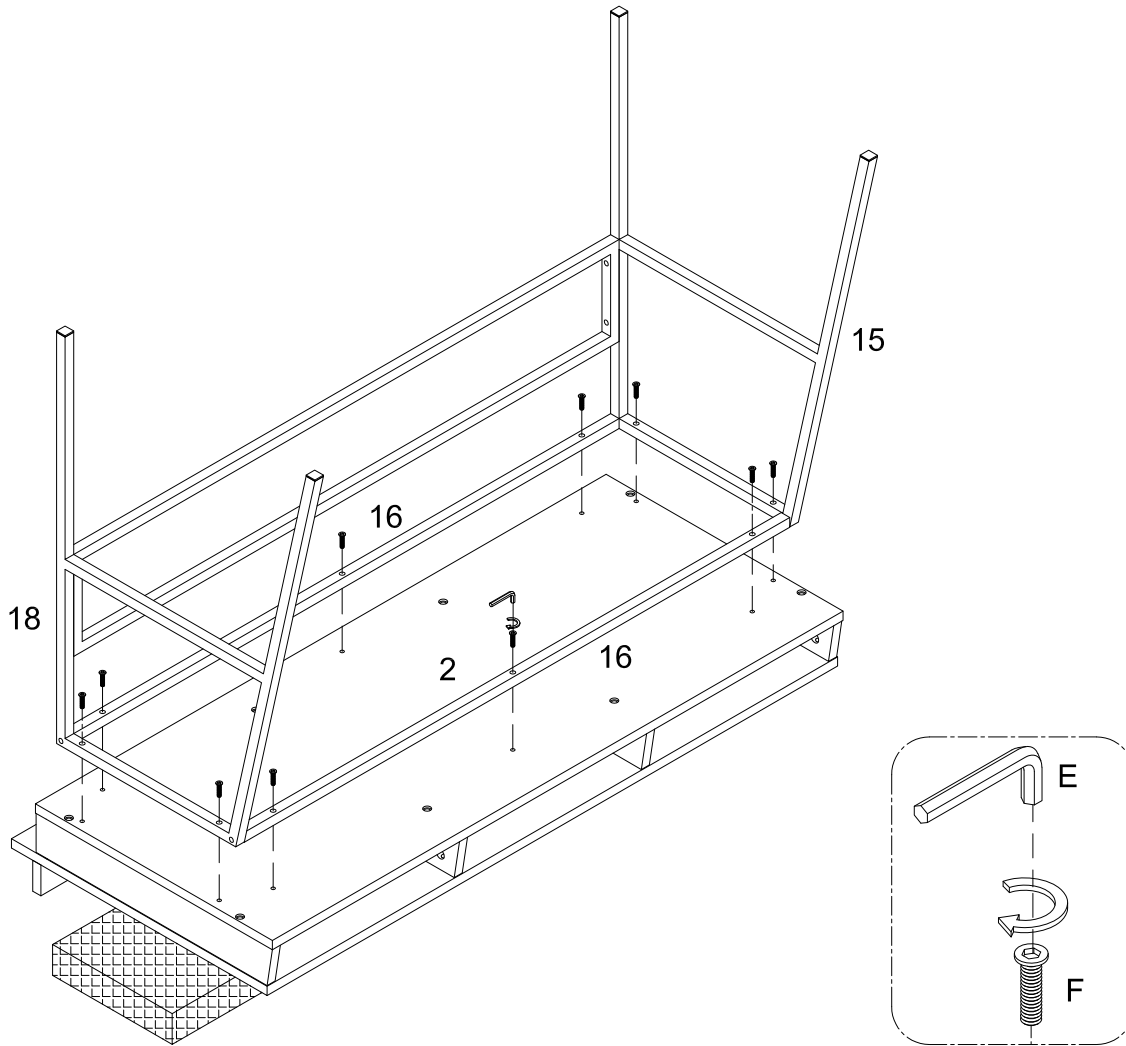
Place sticker (G) cover the holes as per diagram .

Step 13



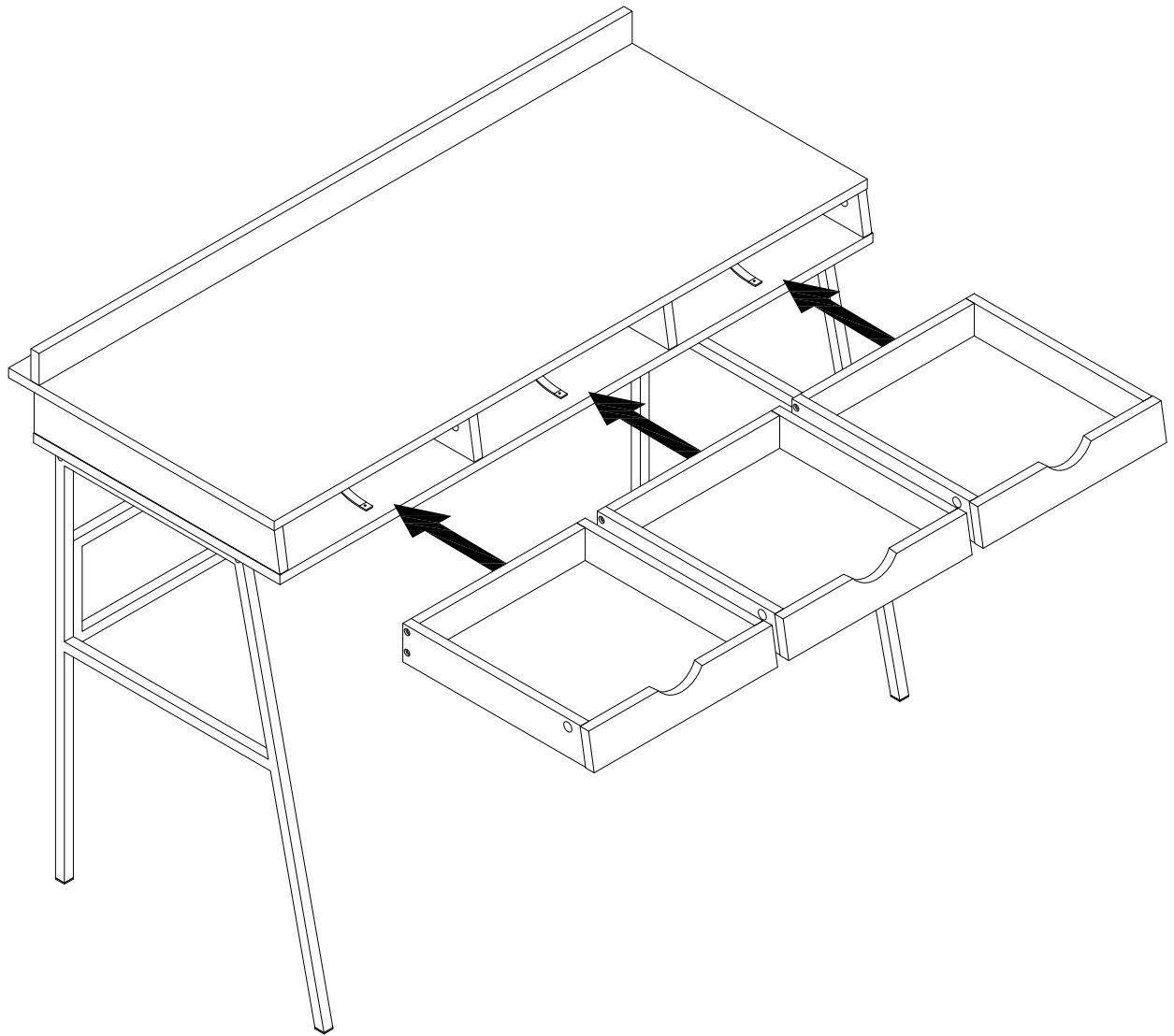
Using bolt (F) attach parts (15,18) to parts (16,17) with hex key (E) as per diagram.
Note : Do not fully tighten all the bolts .

Step 14



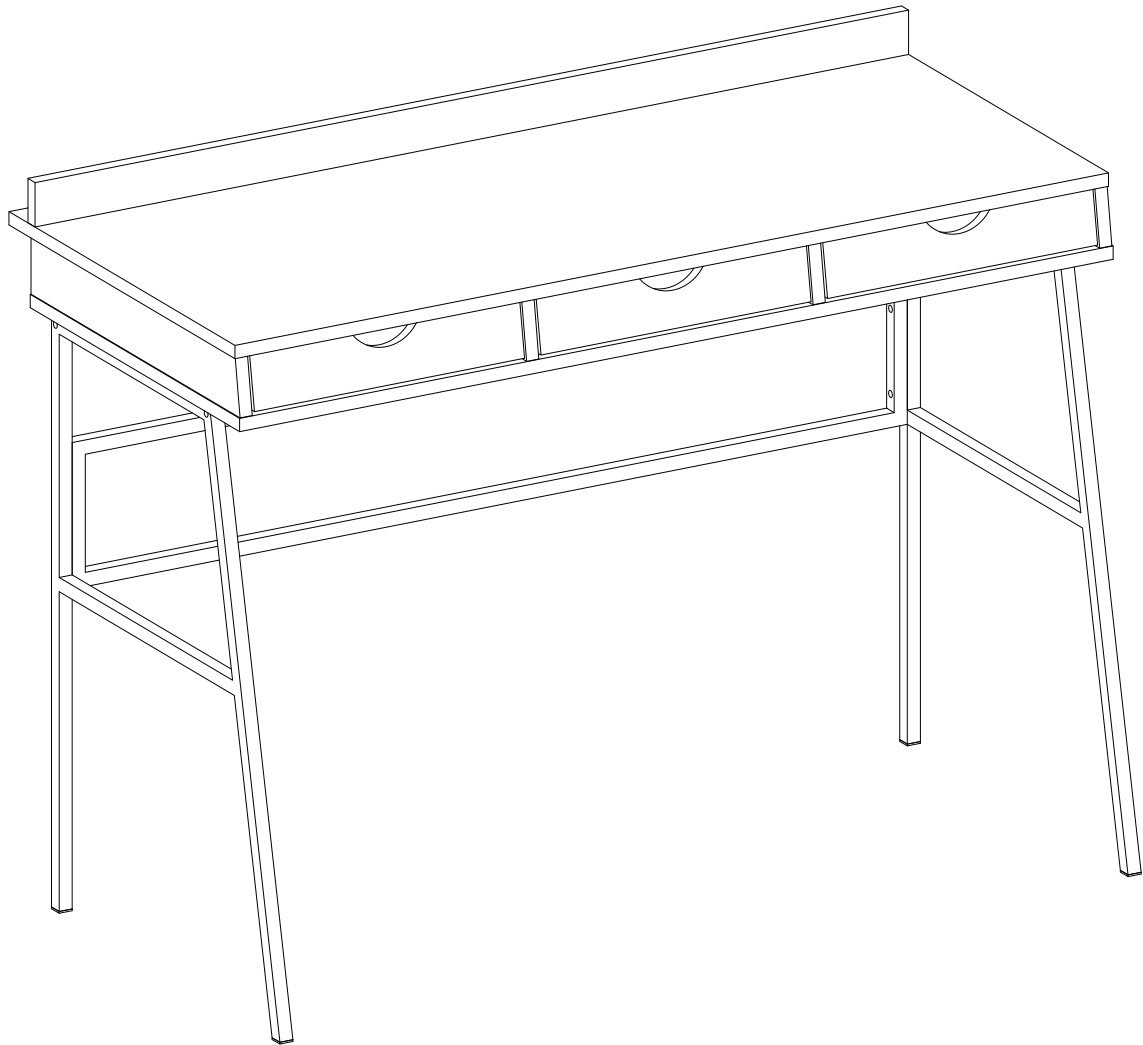
Using bolt (F) attach parts (15,16,18) to part(2) with hex key (E) as per diagram.
Note : Fully tighten all the bolts.

Step 15



Insert the assembled drawers into the unit frame.

Step 16



Final Assembly