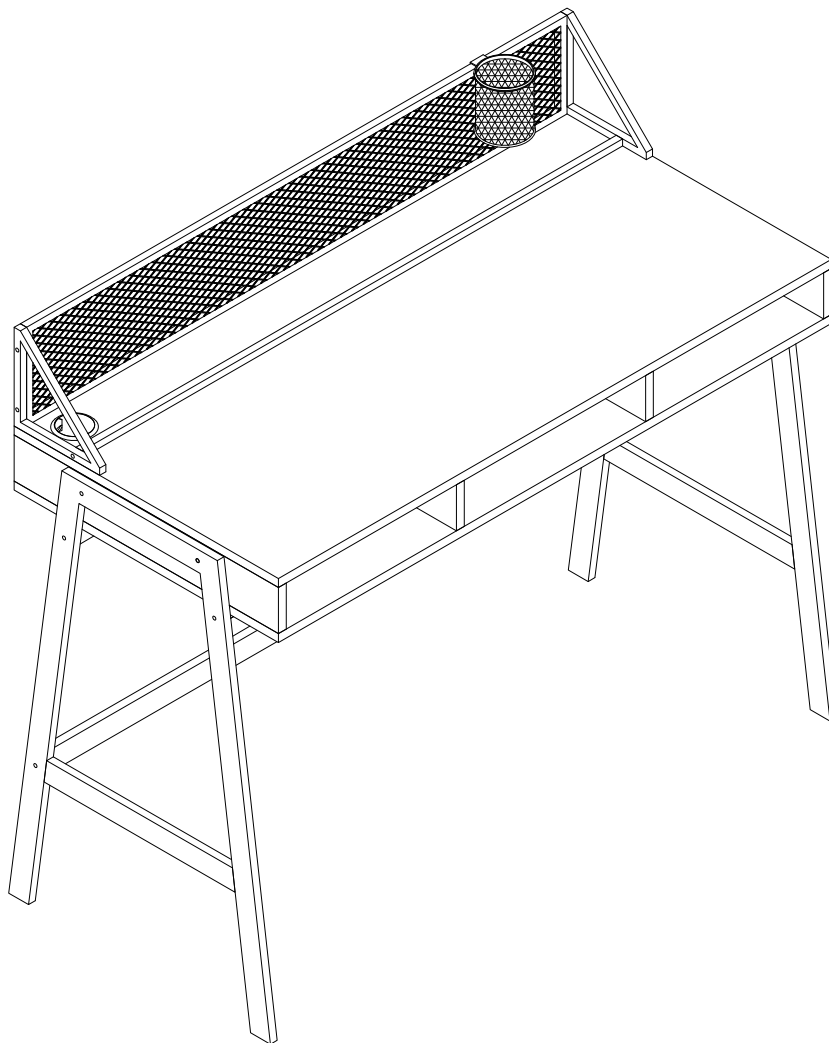


Item # : D42CORMB

Assembly Instructions



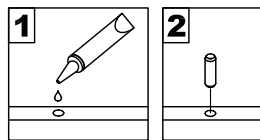
Walker Edison®

Please visit our website for the most current instructions, assembly tips, report damage,
or request parts. www.walkerredison.com

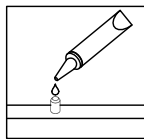
Revised 19/02/2019(L)

General Assembly Guidelines

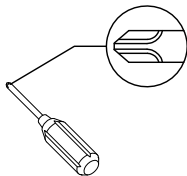
- I. Ensure that all parts and hardware are available before beginning assembly.
- II. Follow each step carefully to ensure the proper assembly of this product.
- III. Two people are recommended for ease in the assembly of this product.
- IV. The three main types of hardware used to assemble this product are: wood dowels, screws and bolts.
- V. The provided glue is to secure wood dowels in place. When first inserting dowels, locate the appropriate hole for the dowel, place a small amount of glue in the hole and insert the dowel. Wipe away excess glue immediately.



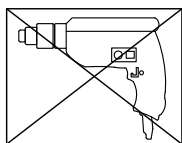
In future assembly steps when dowels are necessary to attach assembly parts together, place a small amount of glue on the end of the dowel before attaching parts together. Wipe away excess glue immediately.



- VI. A Phillips head screwdriver is required for the assembly of this product .

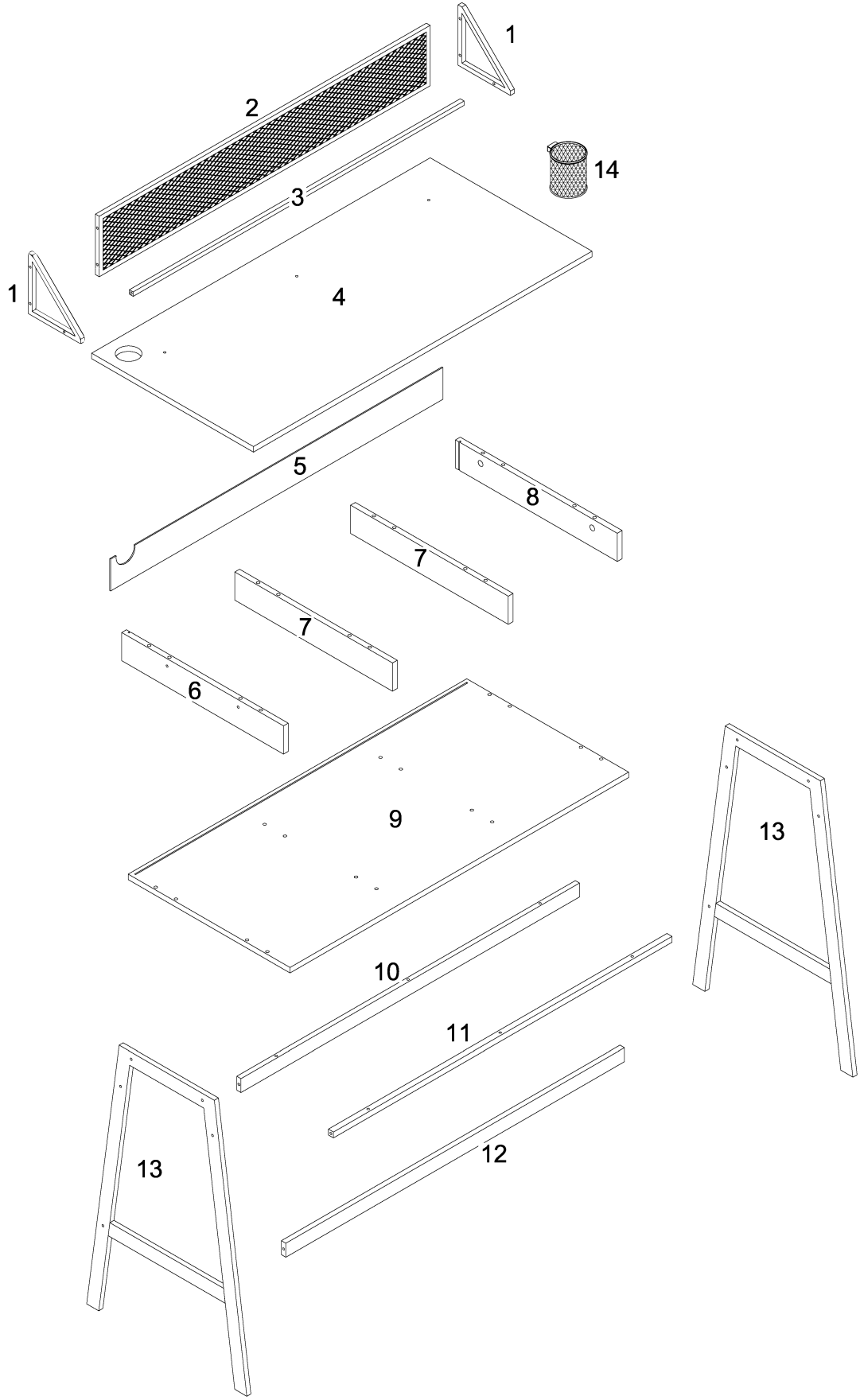


- VII. Power tools should not be used to assemble this product.




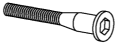
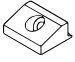

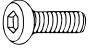

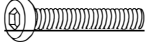





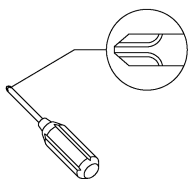
- VIII. Drill may be needed for securing product to wall.

Parts List



Hardware List

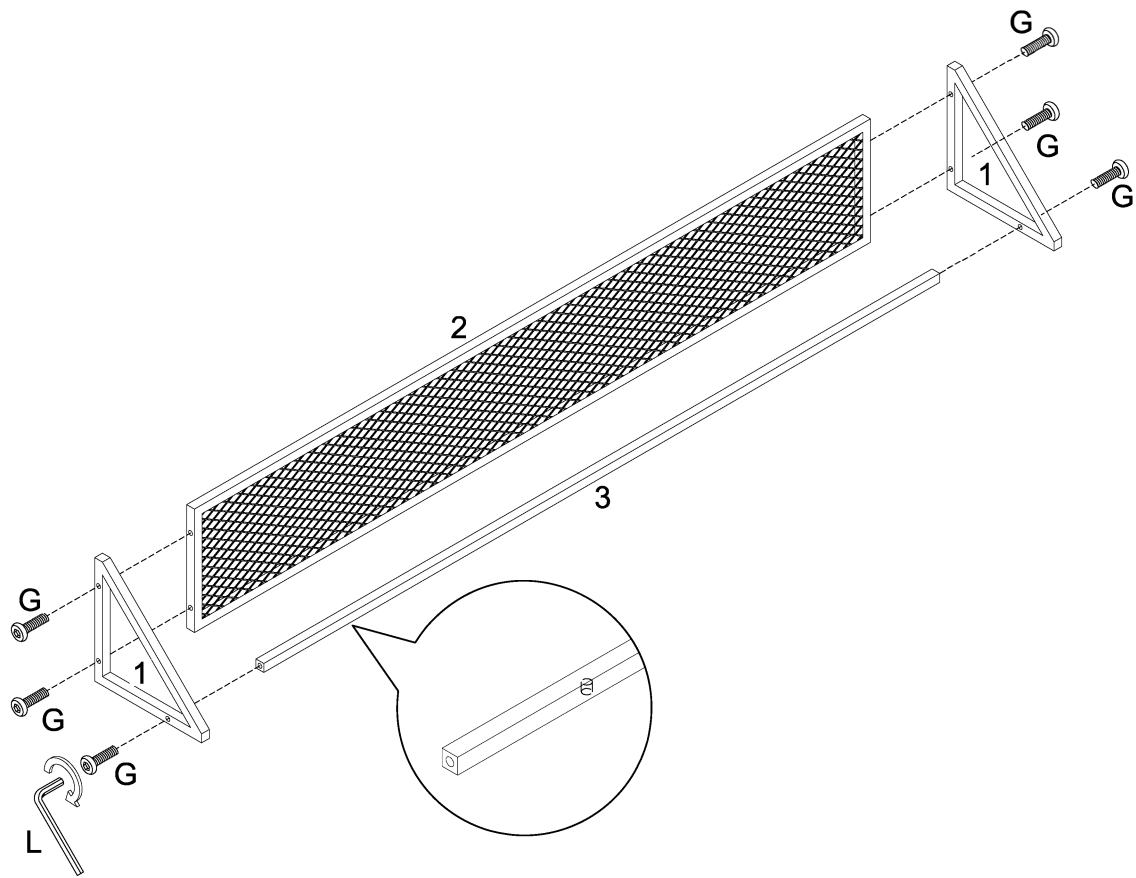
A		Ø8x35mm	Cam bolt	8 pcs
B		Ø15x11mm	Cam lock	8 pcs
C		Ø8x30mm	Wooden dowel	16 pcs
D		Ø6x50mm	Screw	8 pcs
E			Plastic wedge	4 pcs
F		Ø3x17mm	Screw	4 pcs
G		Ø1/4x25mm	Bolt	16 pcs
H		Ø1/4x35mm	Bolt	6 pcs
J		Ø1/4x47mm	Bolt	3 pcs
K			Hole cover	1 pc
L		4mm	Hex Key	1 pc
M			Glue tube	1 pc



Philips head screwdriver required for assembly
(not included)

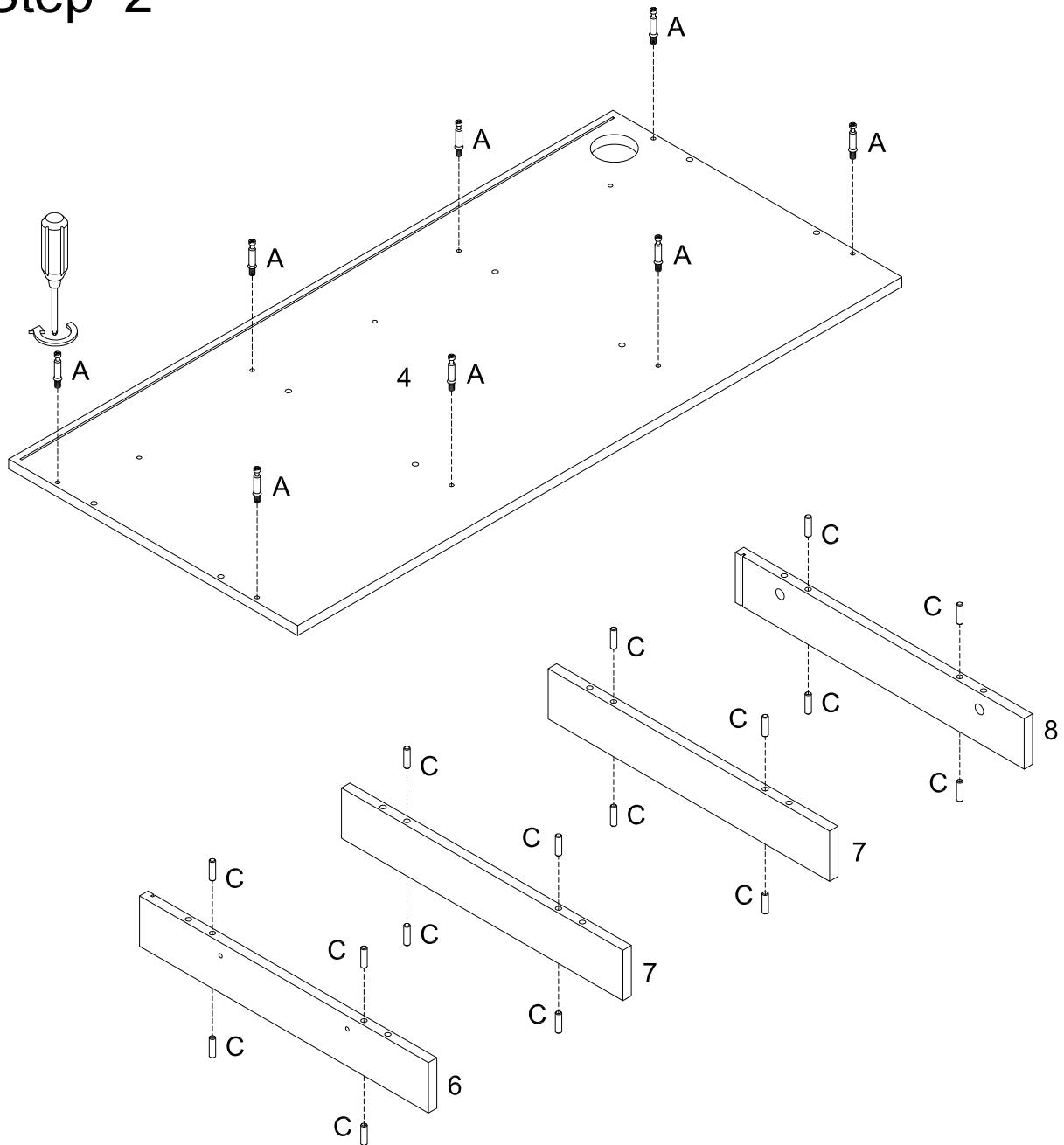
*The hardware quantities listed above are required for proper assembly.
Some extra hardware may also have been included.*

Step 1



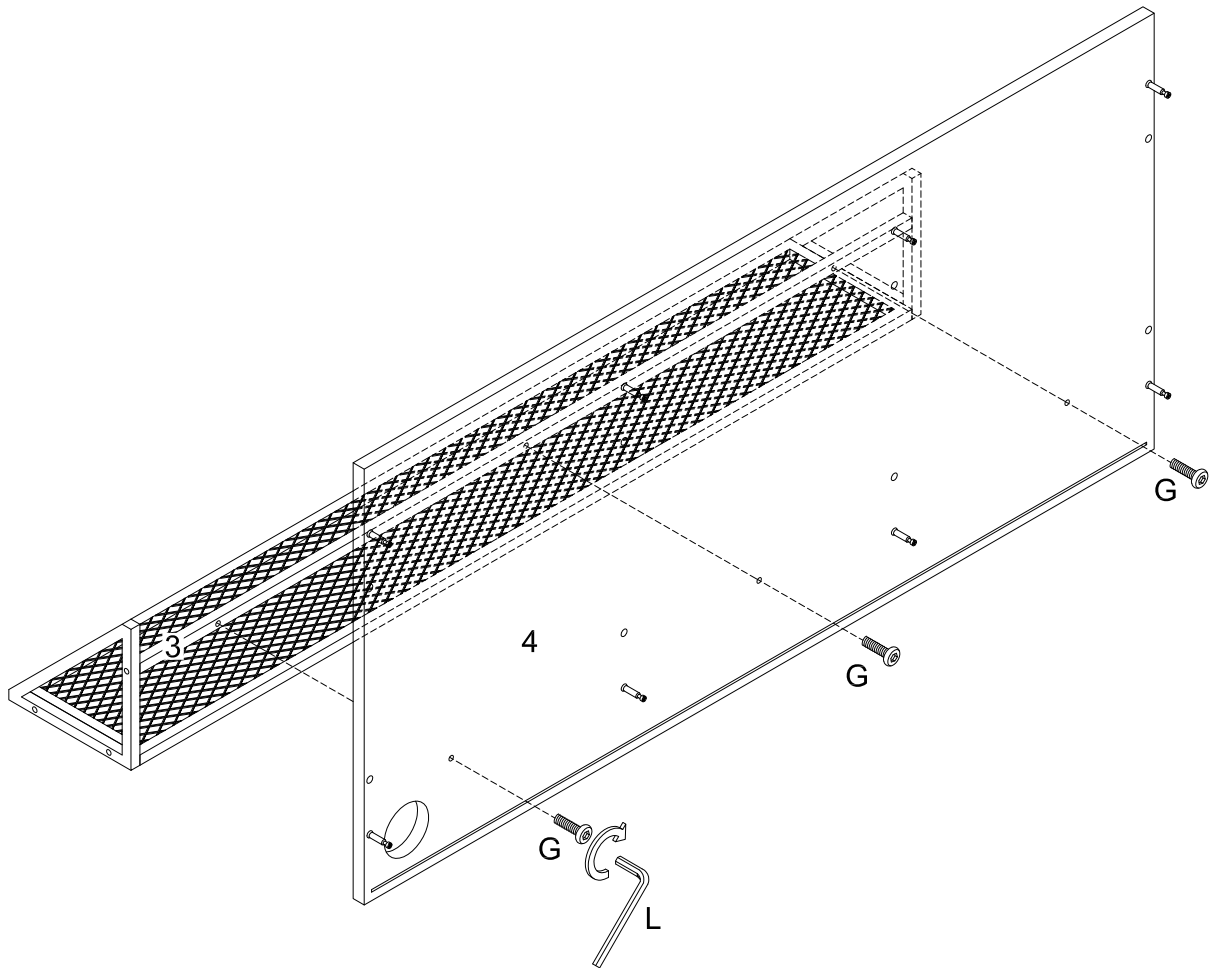
Attach part (1) to part (2,3) , secure bolt (G)onto part (1) with hex key (L) per diagram.

Step 2



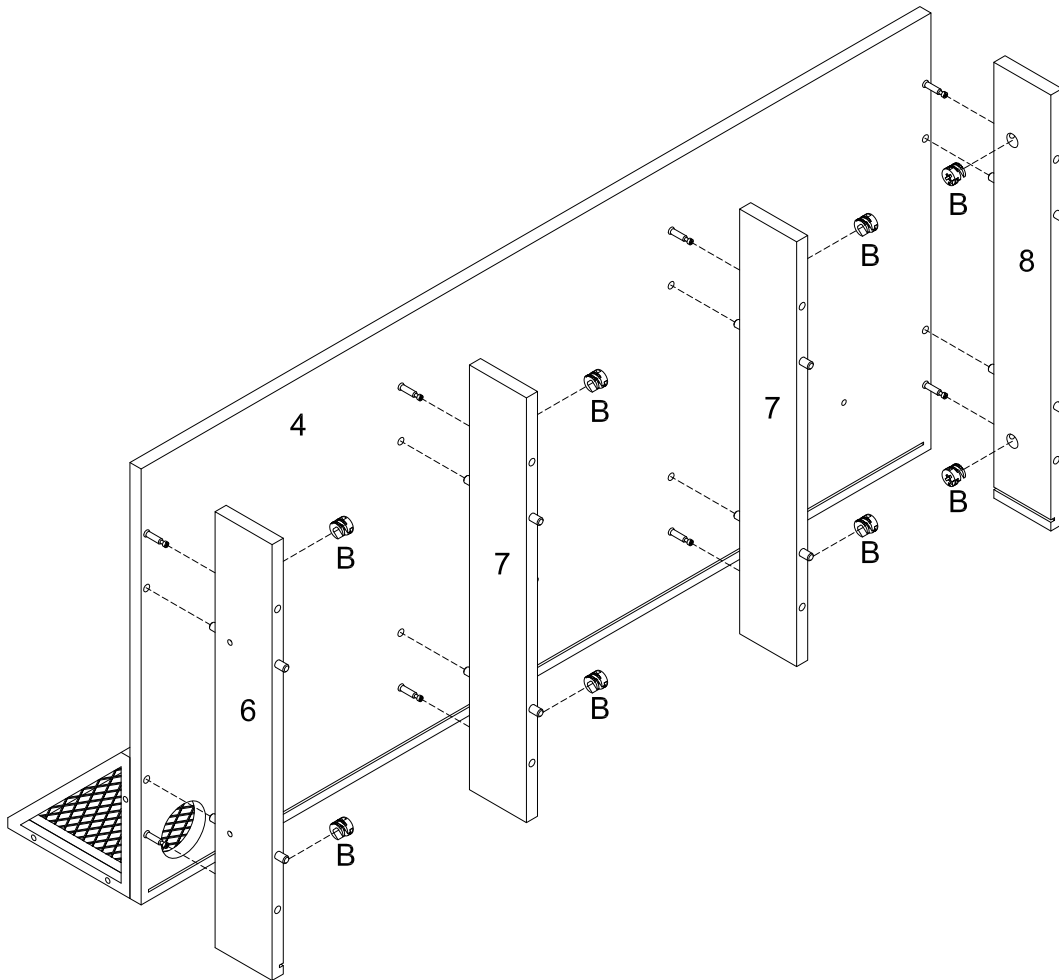
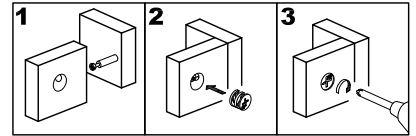
Insert wooden dowel (C) into part (6,7,8) , secure cam bolt (A) to part (4) with Philips head screwdriver.

Step 3



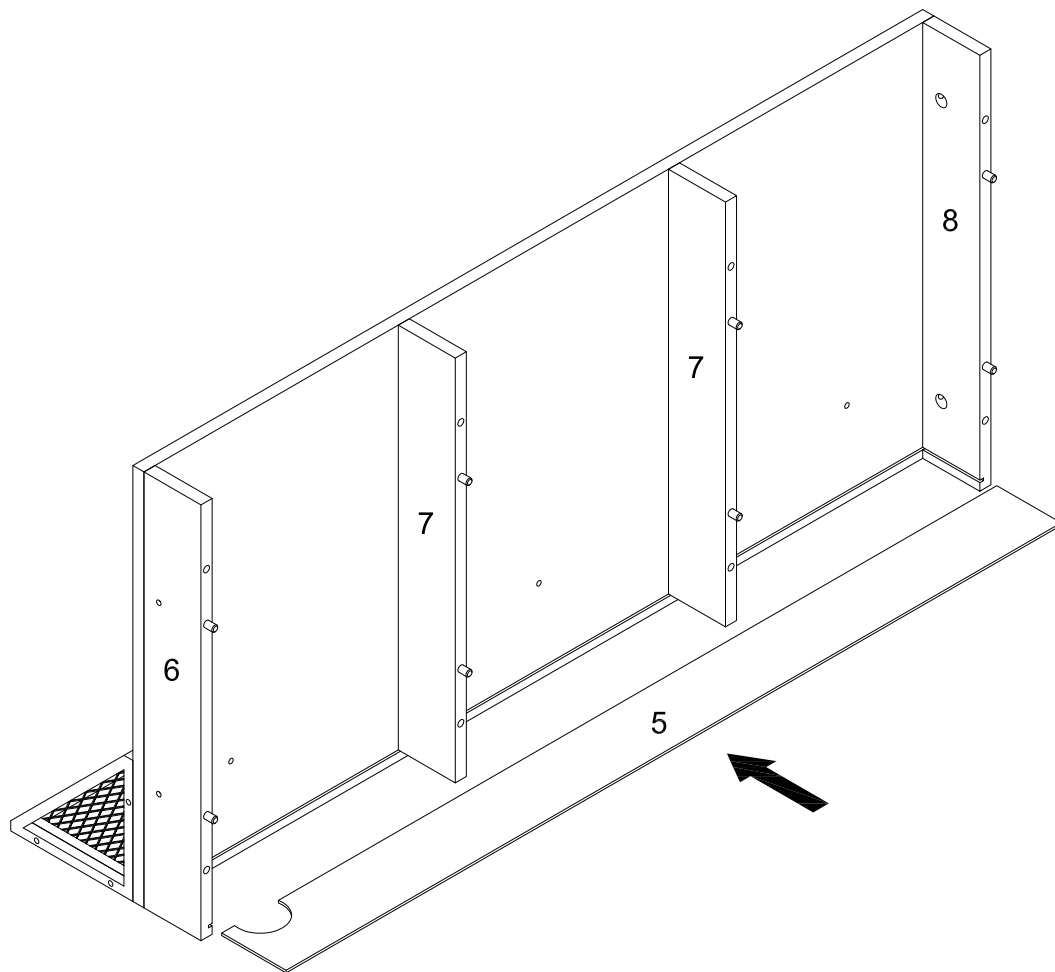
Attach part (4) onto part (3) , using bolt (G) with hex key (L).

Step 4



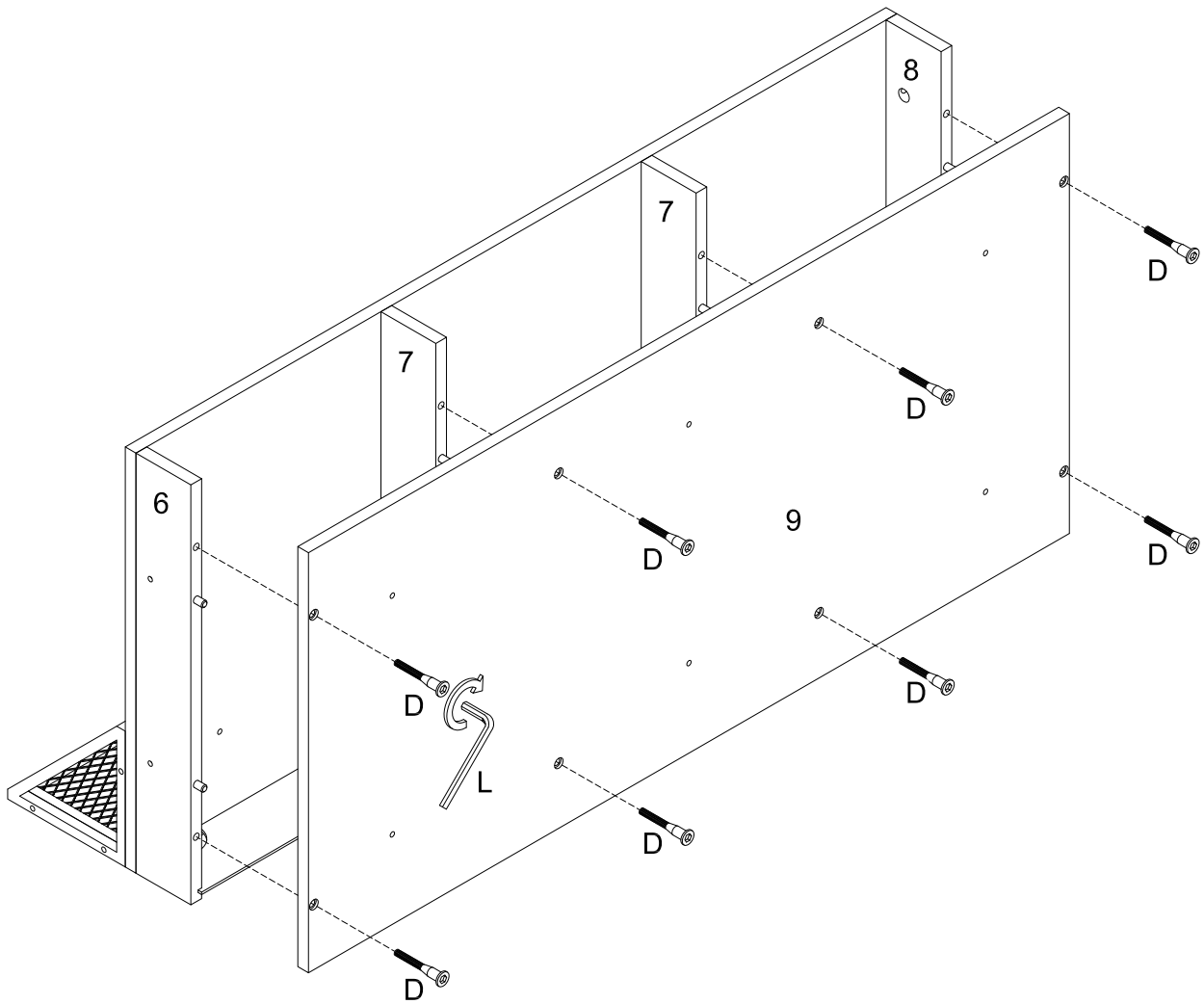
Insert part (6,7,8) to part (4), then secure cam lock (B) to part (6,7,8) with Philips head screwdriver.

Step 5



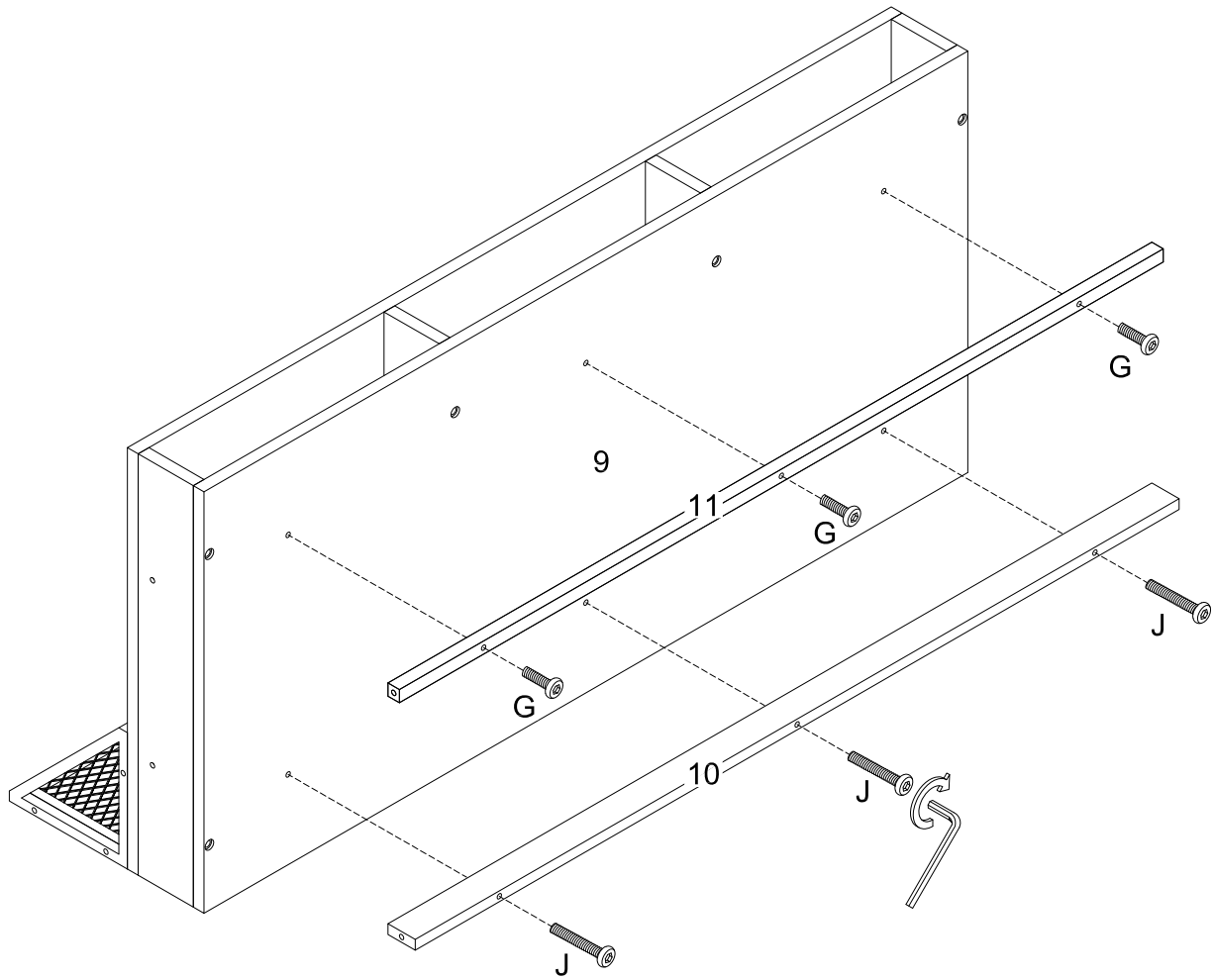
Insert part (5) to part (6,7,8) as per diagram .

Step 6



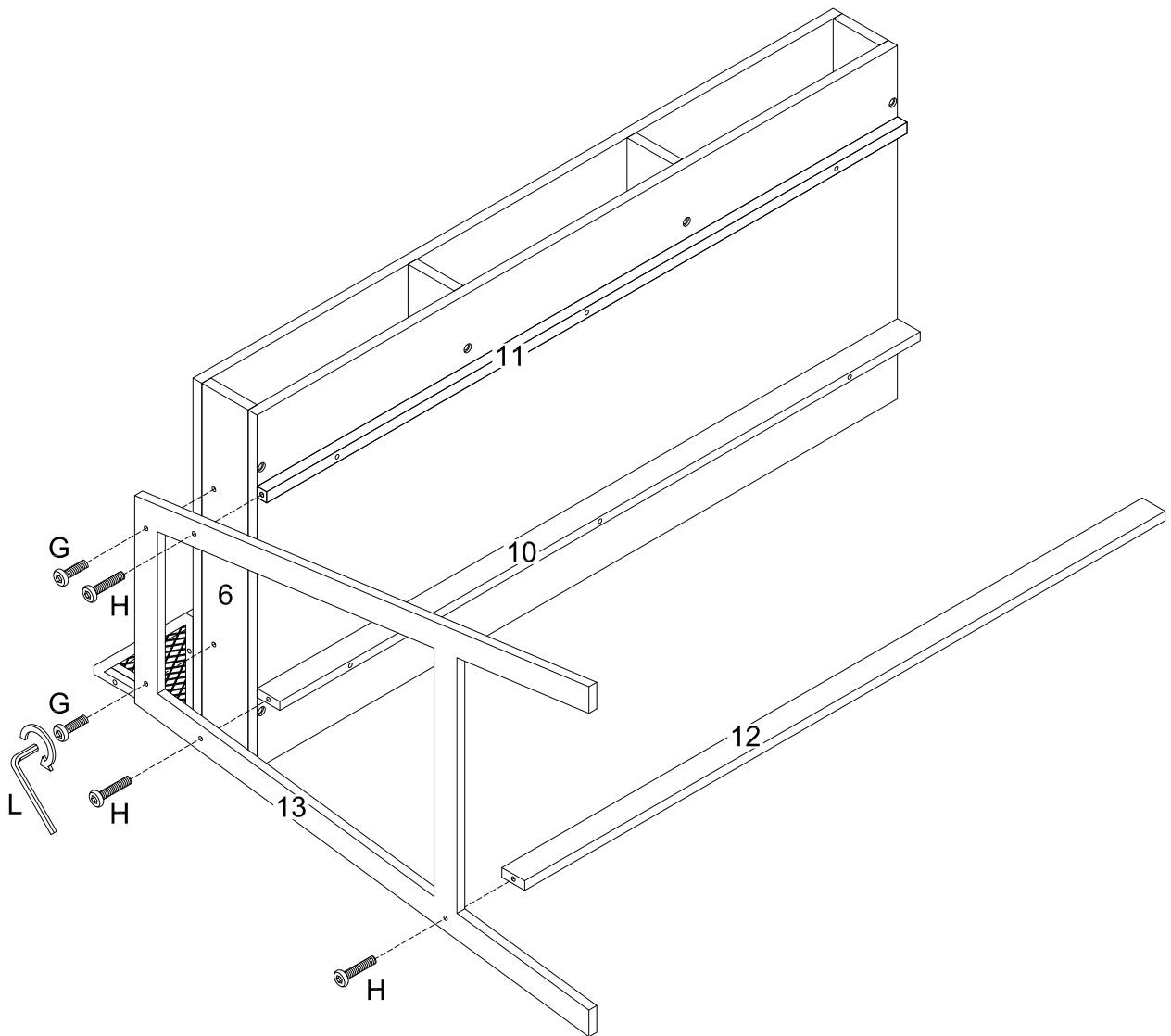
Using screw (D) attach part (9) to part (6,7,8) to secure with hex key (L) .

Step 7



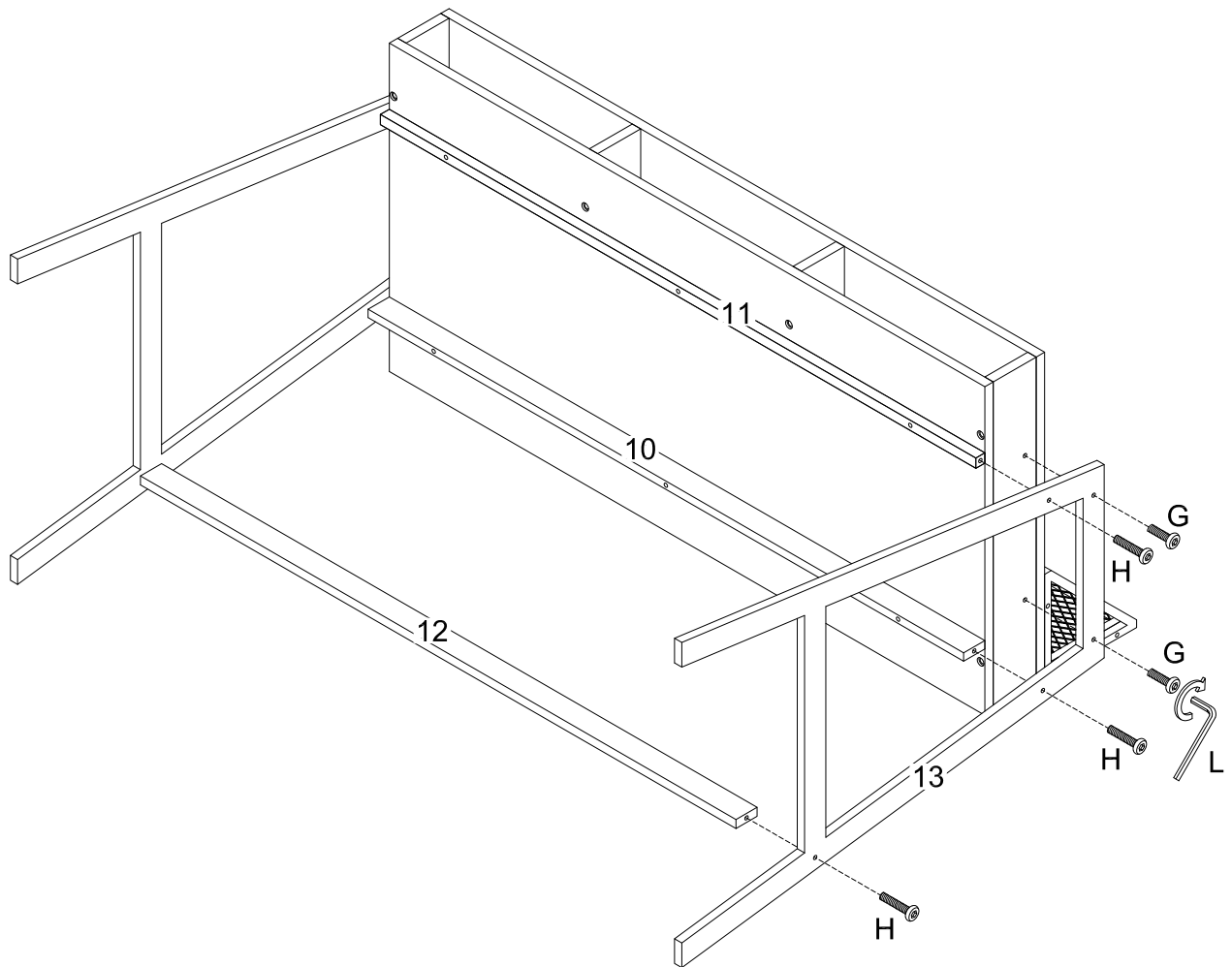
Using bolt (G) to attach part (10,11) to part (9) , insert to part (11) with hex key (L), using bolt (J) insert to part (10) to secure with hex key (L) .

Step 8



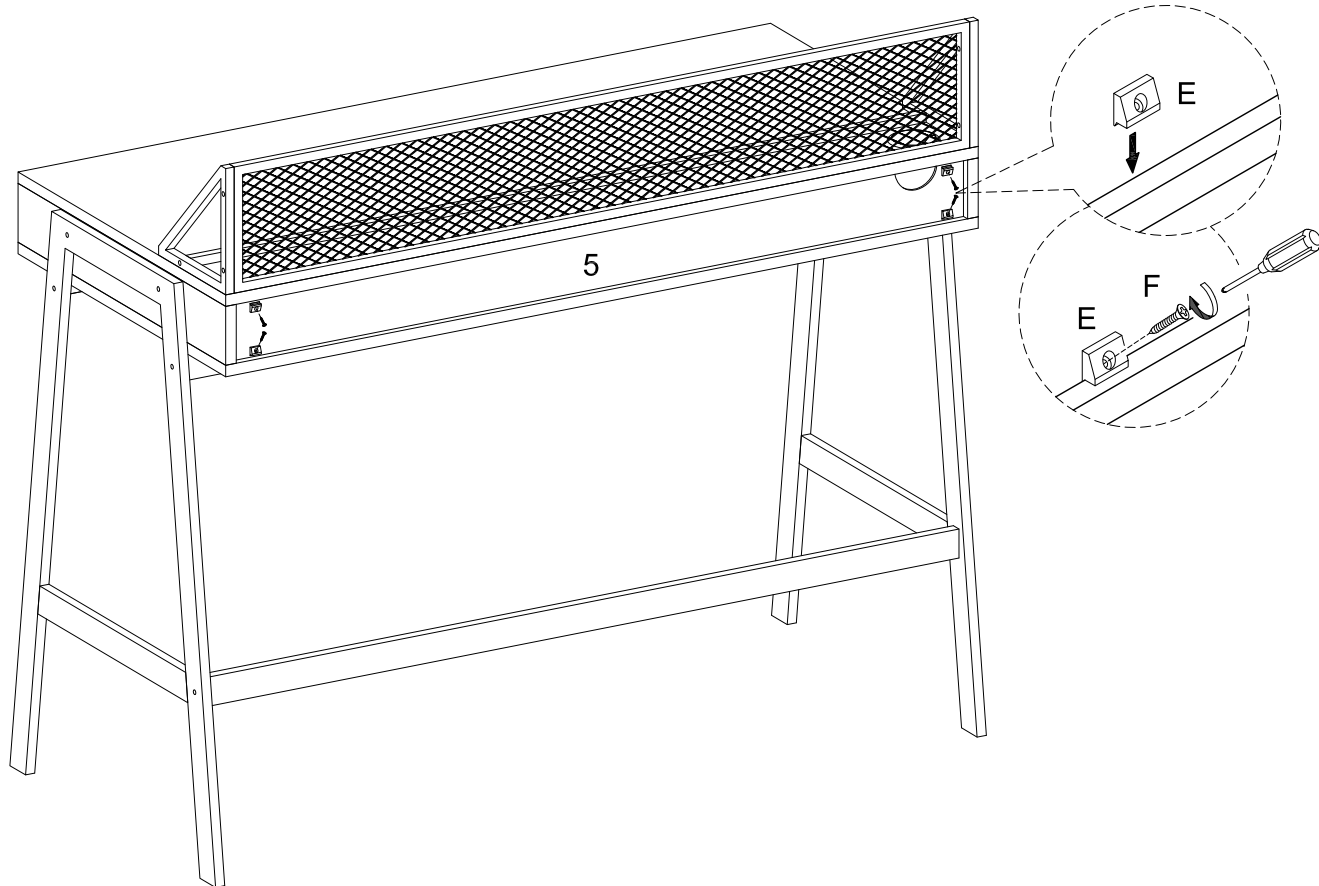
Using bolt (G,H) attach part (13,6,10,11,12) secure with hex key (L) per diagram .

Step 9



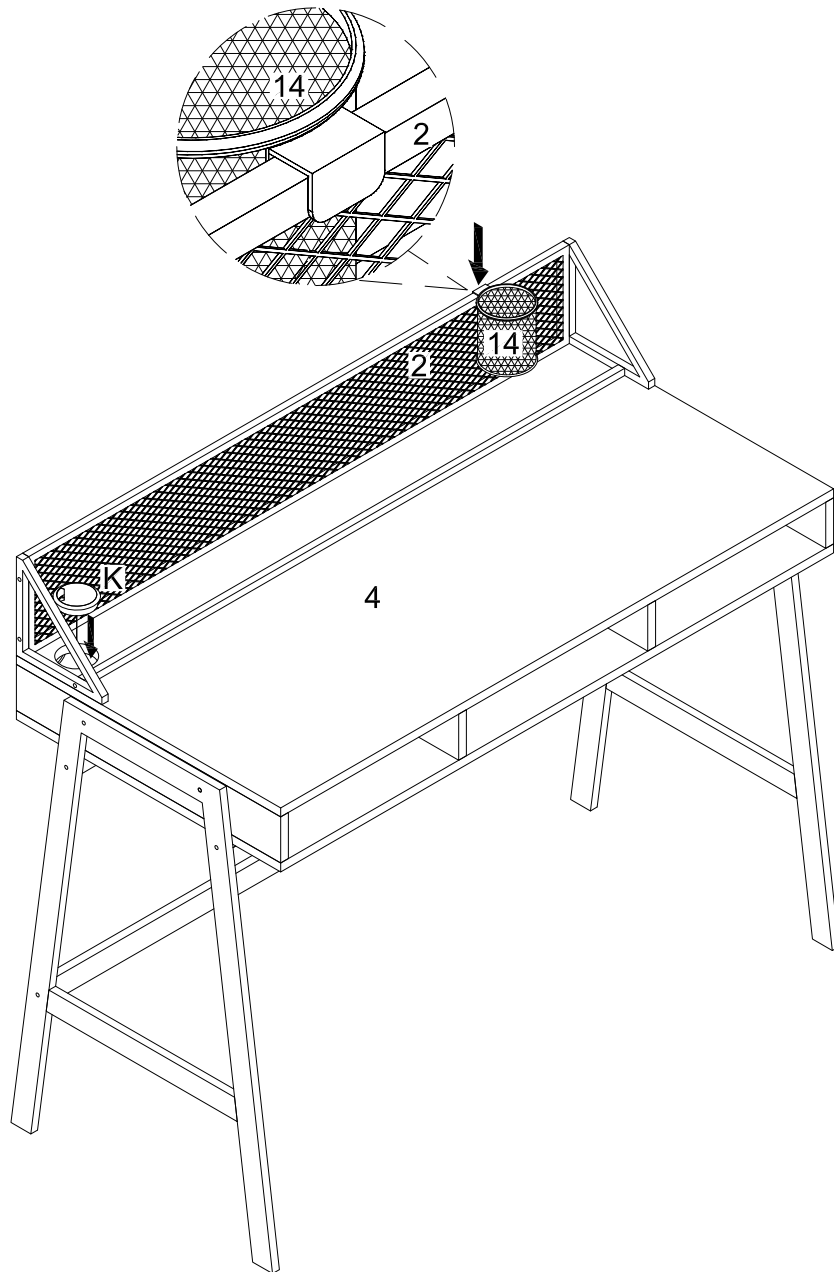
Using bolt (G,H) attach part (13) onto part (10,11,12) , secure part (10,11,12) with hex key (L) per diagram.

Step 10

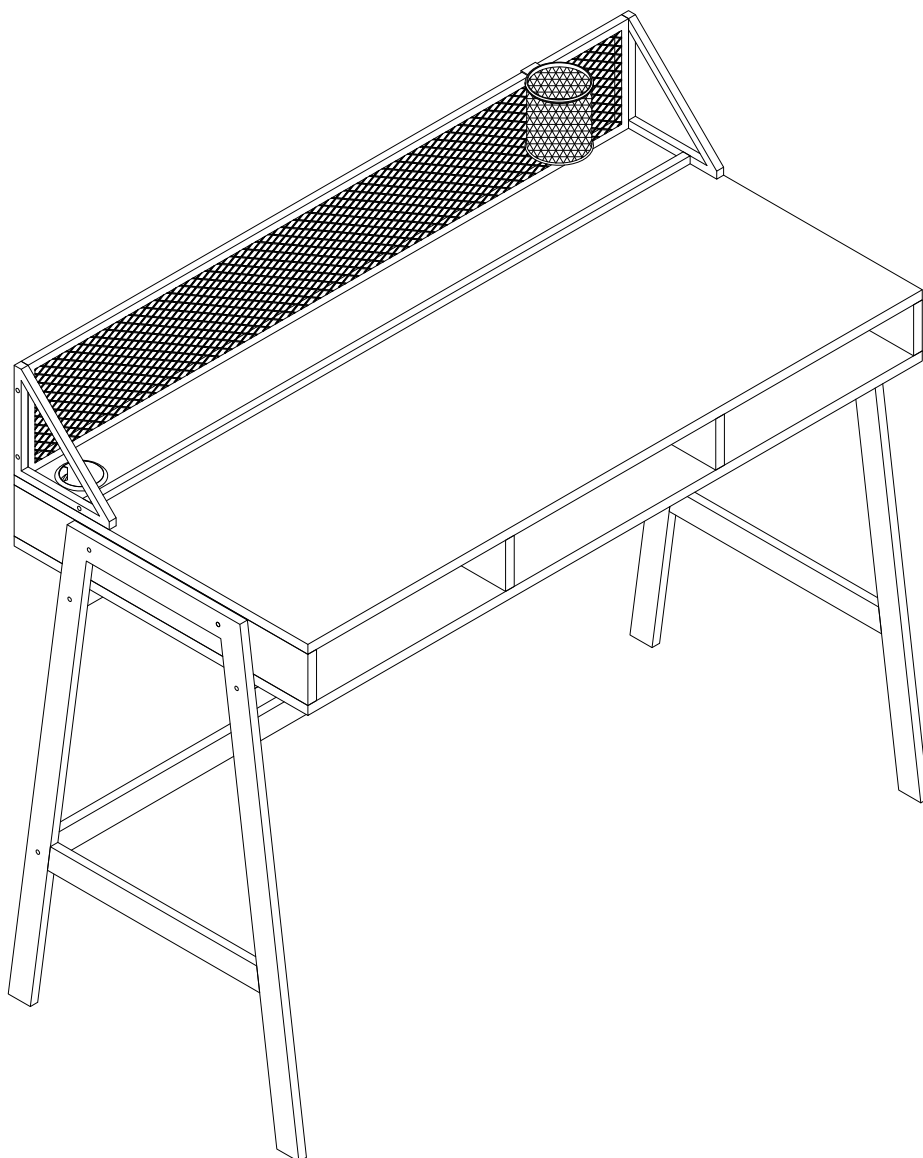


Using screw (F) attach plastic wedge (E) onto part (5) with Philips head screwdriver as per diagram.

Step 11



Step 12



Final Assembly