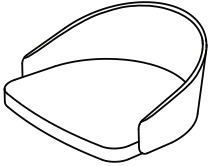
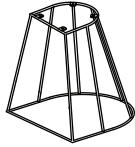


Part # B26-CNRYU XX+XX

180820

**PARTS**

A



B

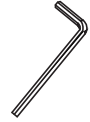
x4  
(M6x16mm)

C

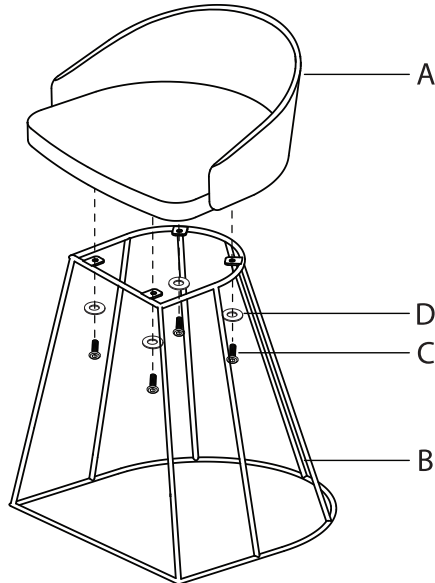
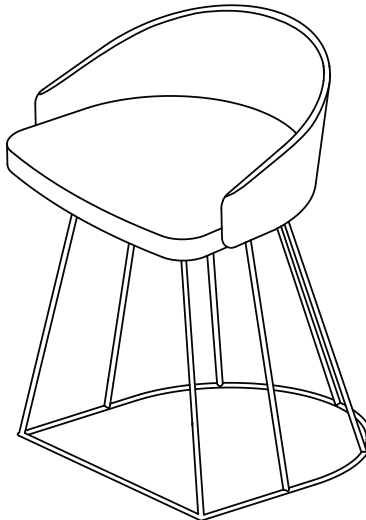


x4

D



E

**1****2**

Do not over tighten.  
Do not use power tools to assemble.