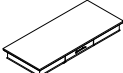

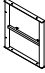



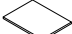






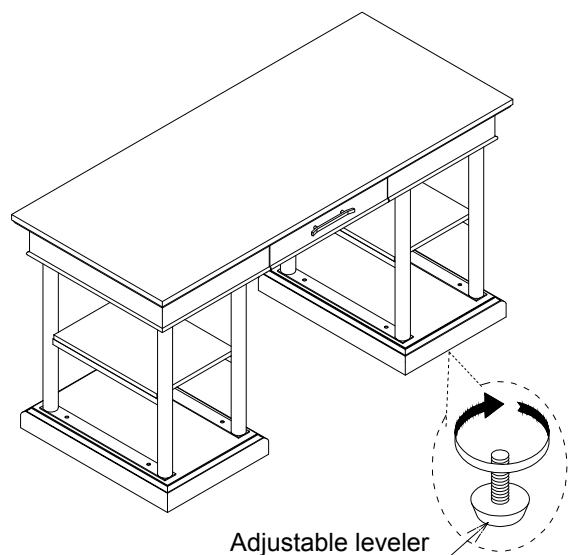
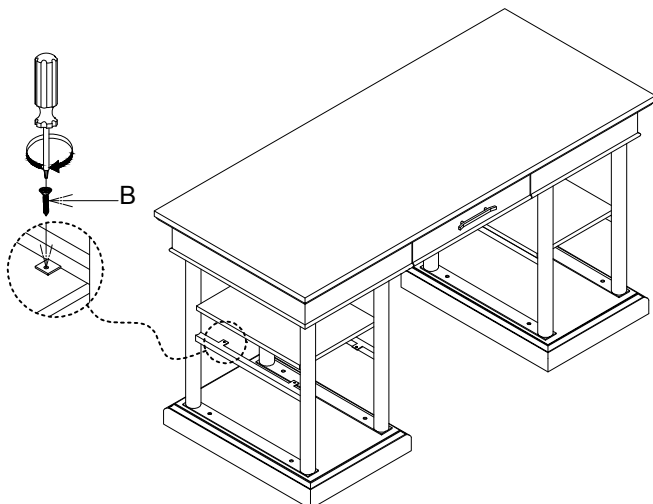
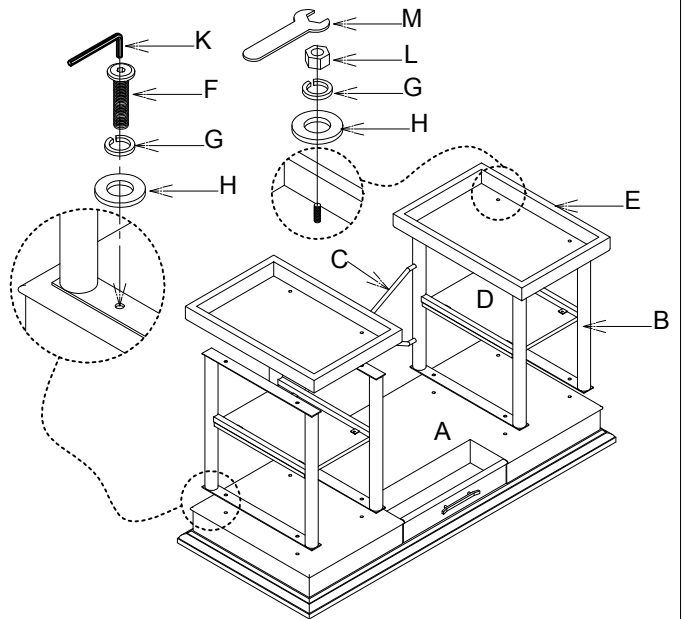
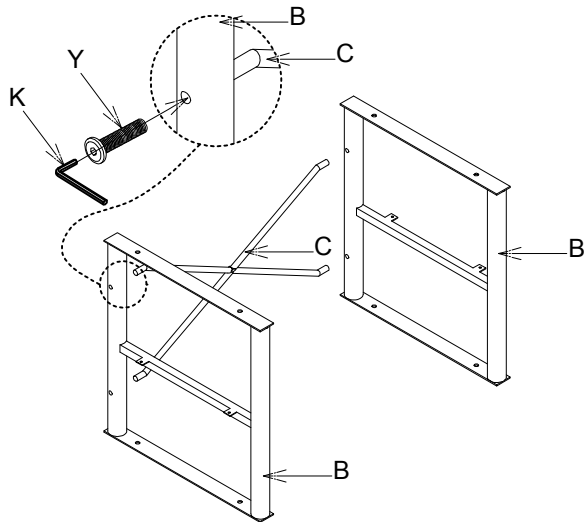


ASSEMBLY INSTRUCTIONS

ITEM NO.:51541

Thank you for purchasing this quality product. Be sure to check all packing material carefully for small parts that may have come loose inside the carton during shipment. (Note: Loosely thread all screws/bolts first. Once the item is assembled then completely tighten.)

PARTS LIST:				HARDWARE LIST				
NO.	Description	Sketch	Quantity	NO.	Sketch	Description	Size	Quantity
A	Top		1	F		Blots	Ø1/4"*5/8"	8
B	Legs		4	G		Flast washer	Ø1/4"	16
C	Center Leg		1	H		Look washer	Ø1/4"*3/4"	16
D	Shelf		2	K		Allen wrench	M4*65L	1
E	Floor		2	L		Hex nut	M4	8
				M		Wrench	M8	1
				N		Screw wood	1/2"L	8
				Y		Blots	Ø1/4"*2-2/8"	2



Adjustable leveler