

ASSEMBLY INSTRUCTION

SKU # 53413

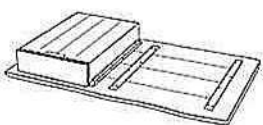

Before beginning:

- ! Unpack all parts and hardware to ensure you have all needed components for assembly.
- ! Read this guide cover to cover before beginning assembly.
- ! Assemble this item on a soft surface, such as carpet to protect finish.
- ! Proper assembly of this item requires 2 people & 20 minutes to assemble

CARE INSTRUCTIONS

Wipe with a soft, dry cloth. To protect finish, avoid the use of chemicals and household cleaners, Any liquid spilled on the table should be cleaned up immediately with a damp cloth.

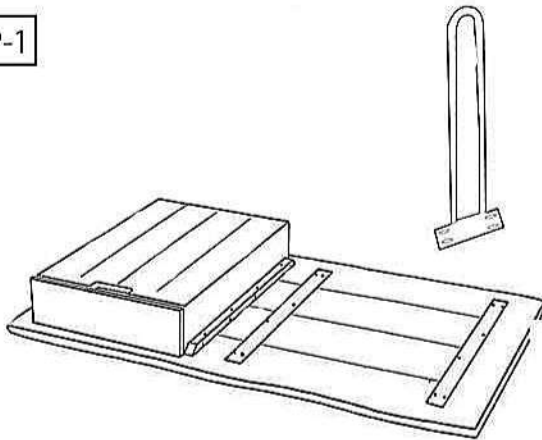
PARTS LIST :

No.	Description	Sketch	Quantity
A	Top		1
B	Leg		4

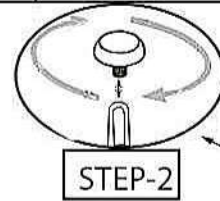
HARDWARE LIST :

No.	Sketch	Description	Size	Quantity
C		Allen Bolt	0.31x0.78	16+1
D		Spring Washer	0.35x0.5	16+1
E		Washer	0.35x1	16+1
F		Allen Key	0.19	1

STEP-1



A+B

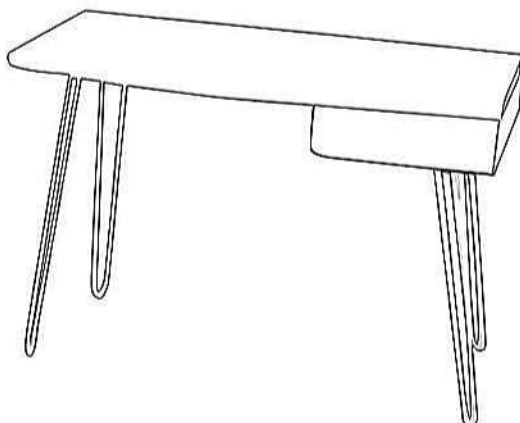


STEP-2

Tip for levelling of product:
When the product rests on an uneven floor surface it will appear to be unbalanced. To aid in levelling, try adjusting the levelers located on the bottom of each foot.



STEP-3



FINAL STEP