

# ASSEMBLY INSTRUCTIONS

## SKU # 53452

### Beginning:

! Unpack all parts and hardware to ensure you have all needed components for assembly.

! Read this guide cover to cover before the assembly.

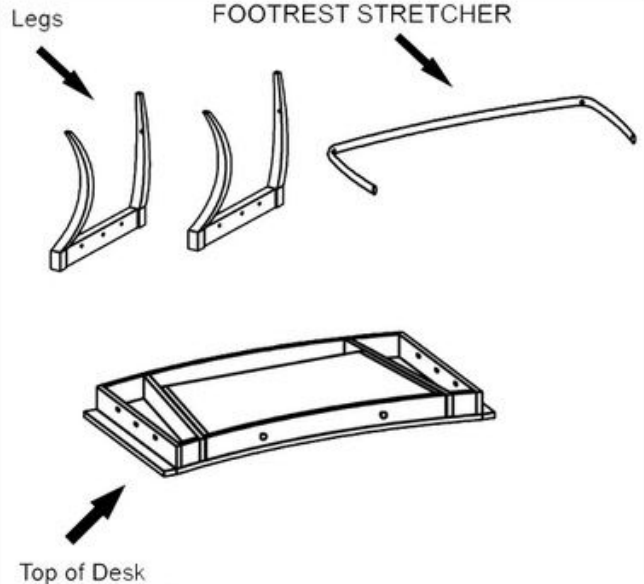
! Assemble this item on a soft surface, such as carpet to protect finish.

! Proper assembly of this item requires 2 people & 10 minutes to assemble.

### CARE INSTRUCTIONS

Wipe with a soft, dry cloth. To protect finish, avoid the use of chemicals and household cleaners. Any liquid spilled on the product should be cleaned up immediately with a damp cloth.

### Parts



## HOW TO ASSEMBLE

STEP-1 Place the Desk Top upside down on rug.


STEP-2 Match Marking of A with A&B with B respectively


STEP-3 Insert allen bolt (E) with washer (F&G) & tighten with Allen key.


STEP-4 match the marking C with C & D with respectively & Insert bolt (E)with (F) and tighten with Allen key (H)

STEP-5 Turn The Desk upside Down. Desk is Ready to use.

### Hardware & Tools required:

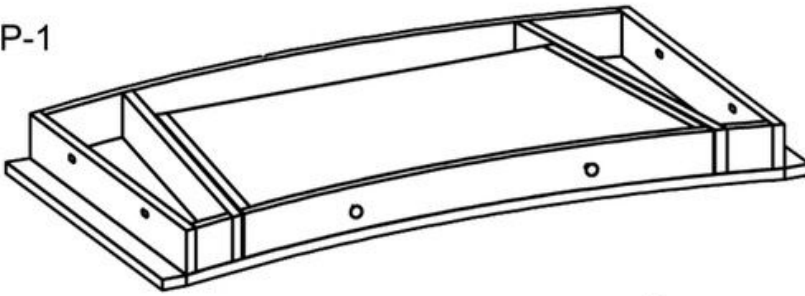
(E) Allen Bolt 2" X 0.30", 8x1 Extra 

(F) Spring Washer 0.50" 8x1 Extra 

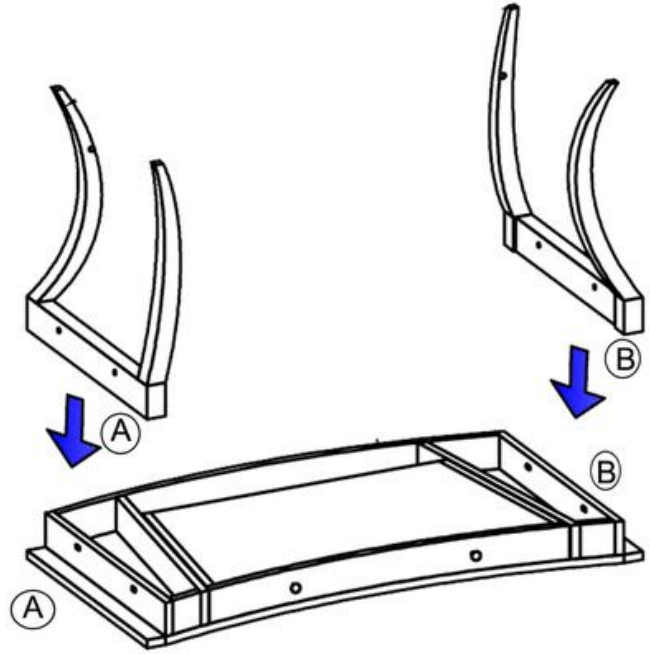
(G) Washer 1" 6x1 Extra 

(H) Allen Key 0.20", 1x 

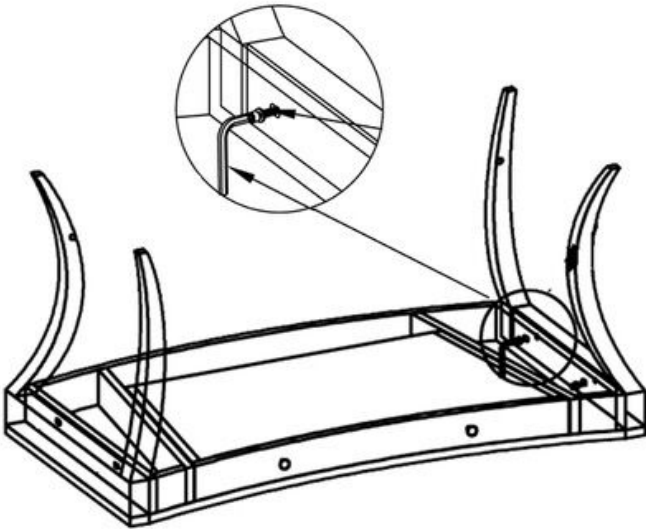
STEP-1



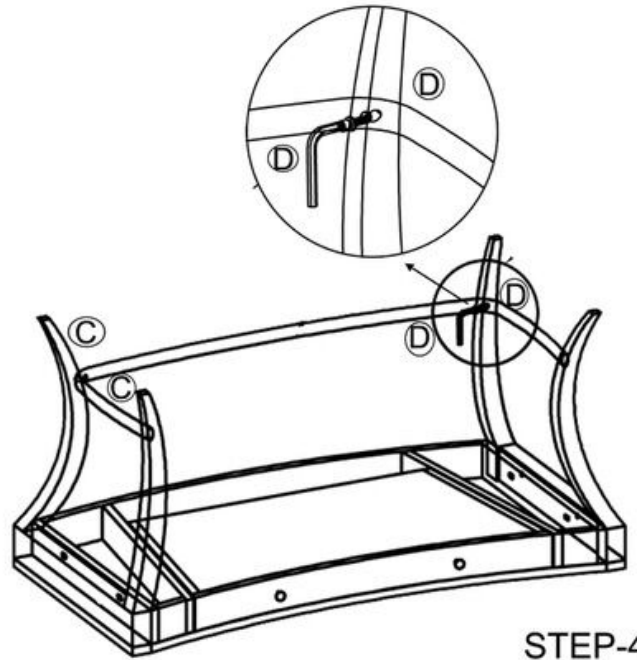
STEP-2



STEP-3



STEP-4



FINAL

STEP-5

