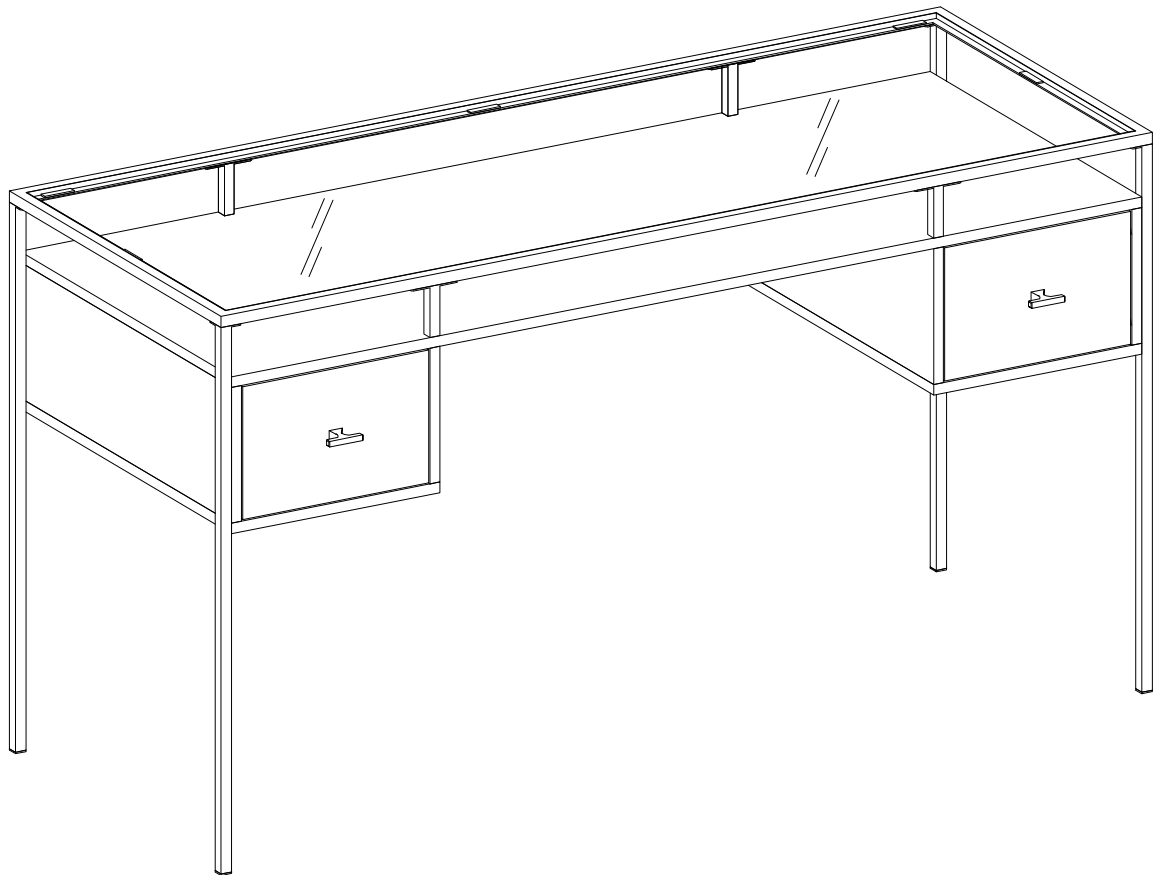


Item # : D56FUL2DG
Assembly Instructions



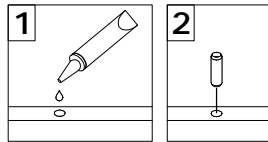
Walker Edison®

Please visit our website for the most current instructions, assembly tips, report damage, or request parts. www.walkeredison.com

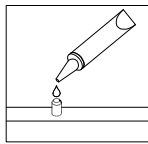
Revised 09/10/2019(L)

General Assembly Guidelines

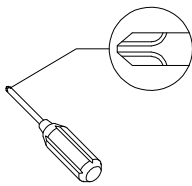
- I. Ensure that all parts and hardware are available before beginning assembly.
- II. Follow each step carefully to ensure the proper assembly of this product.
- III. Two people are recommended for ease in the assembly of this product.
- IV. The three main types of hardware used to assemble this product are: wood dowels, screws and bolts.
- V. The provided glue is to secure wood dowels in place. When first inserting dowels, locate the appropriate hole for the dowel, place a small amount of glue in the hole and insert the dowel. Wipe away excess glue immediately.



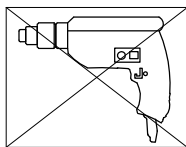
In future assembly steps when dowels are necessary to attach assembly parts together, place a small amount of glue on the end of the dowel before attaching parts together. Wipe away excess glue immediately.



- VI. A Phillips head screwdriver is required for the assembly of this product .

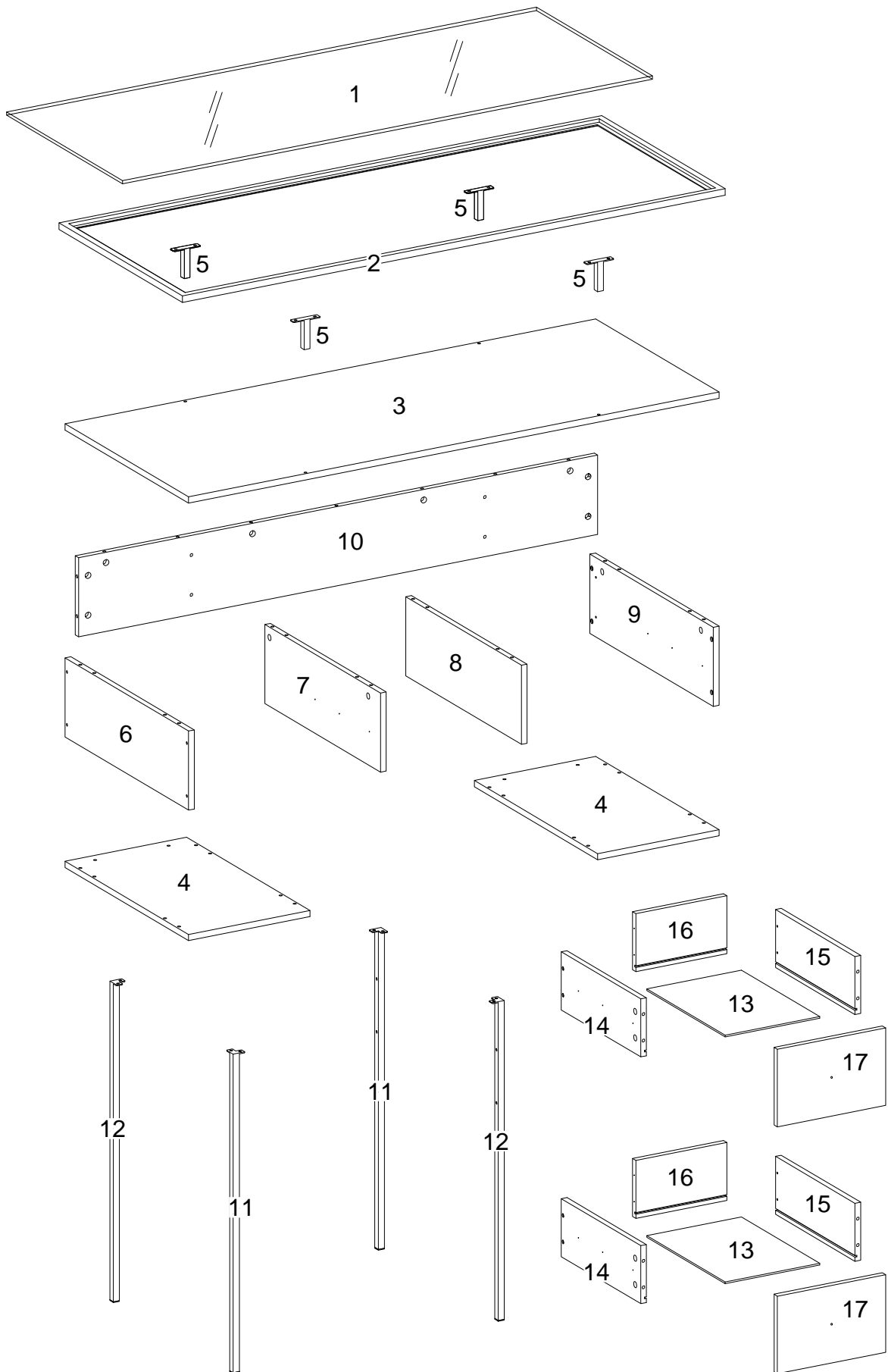


- VII. Power tools should not be used to assemble this product.


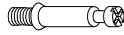



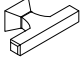
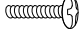






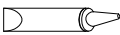
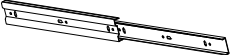


- VIII. Drill may be needed for securing product to wall.

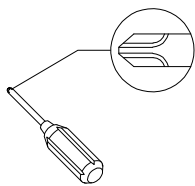
Parts List



Hardware List

A		Ø8x30mm	Wooden dowel	19 pcs
B		Ø8x35mm	Cam bolt	24 pcs
C		Ø15x11mm	Cam lock	24 pcs
D			Sticker	24 pcs
E		Ø6x50mm	Screw	16 pcs
F			Handle	2 pcs
G		Ø4x22mm	Bolt	2 pcs
H		4mm	Hex Key	1 pc
J			Glass pads	8 pcs
K		Ø4x32mm	Screw	8 pcs
L		Ø3x12mm	Screw	24 pcs
M		Ø1/4"x25mm	Bolt	12 pcs
N		Ø1/4"x10mm	Bolt	16 pcs
P			Glue tube	1 pc
Q			Drawer slider	2 Set

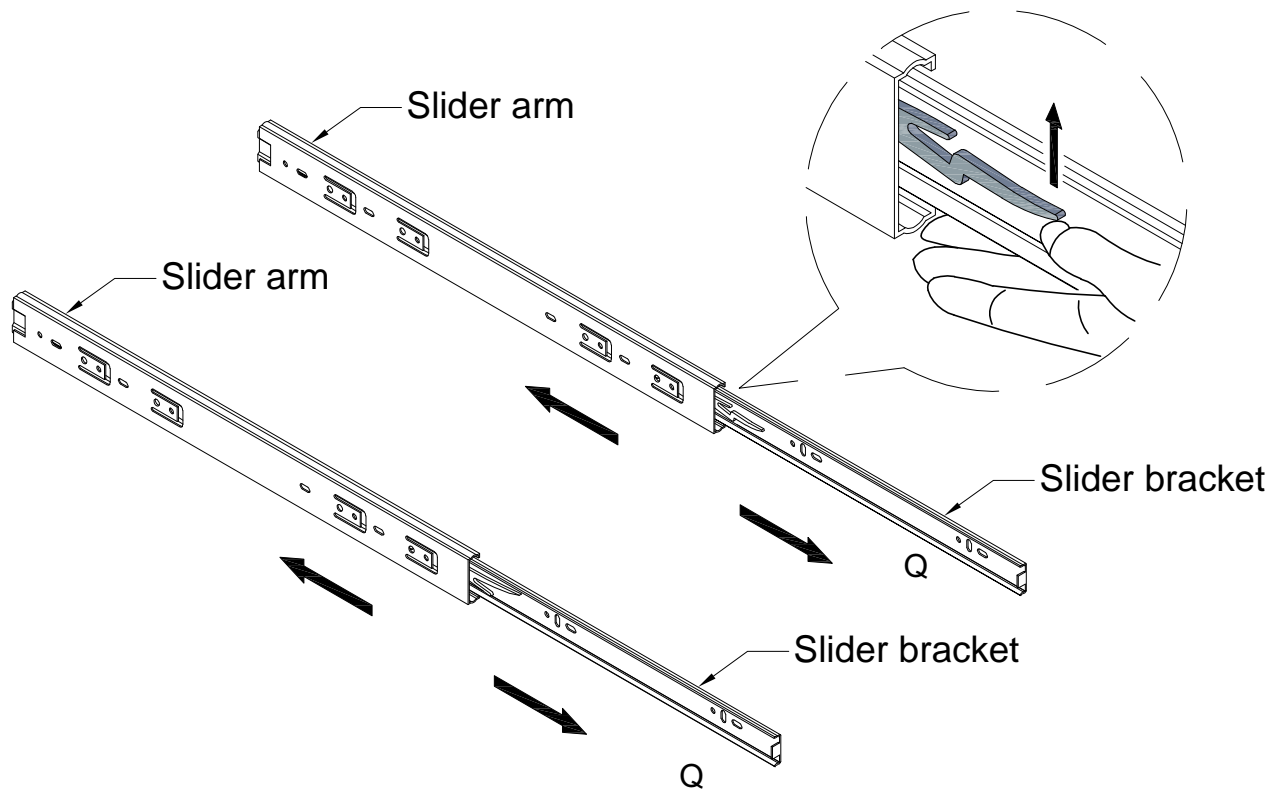
* Note: This piece comes preassembled for shipping purposes and must be disassembled to complete assembly.



Philips head screwdriver required for assembly
(not included)

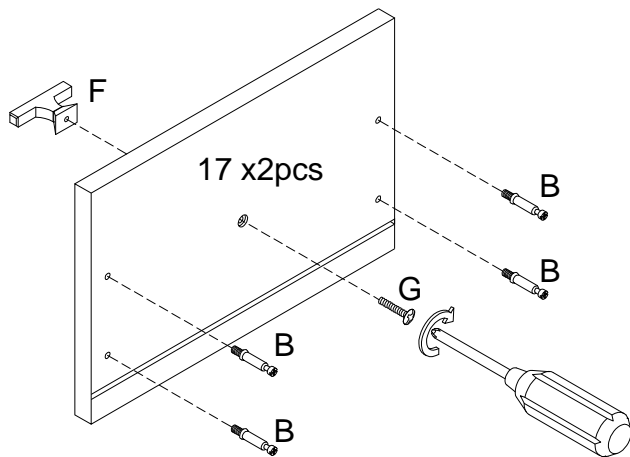
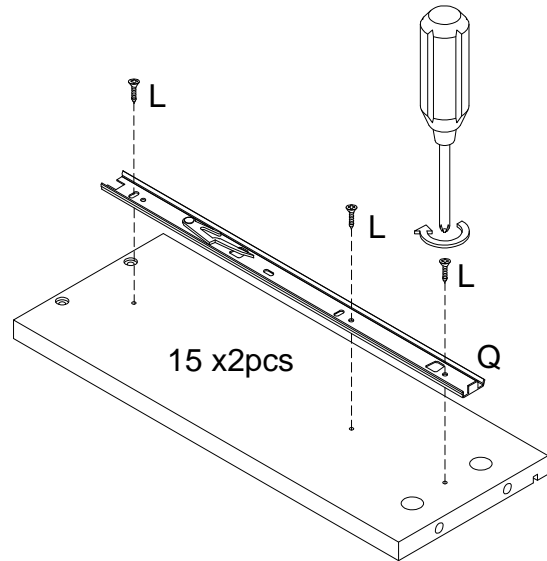
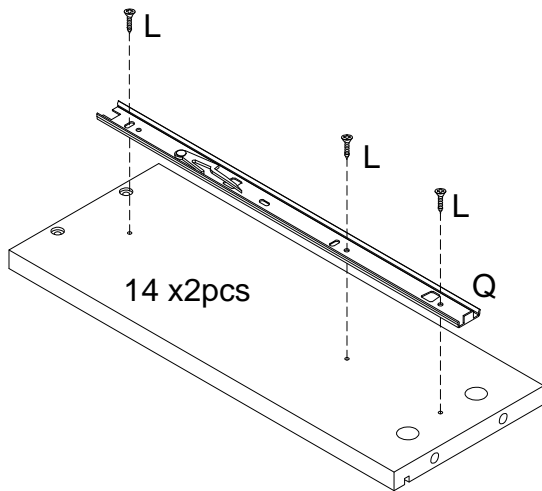
*The hardware quantities listed above are required for proper assembly.
Some extra hardware may also have been included.*

Step 1



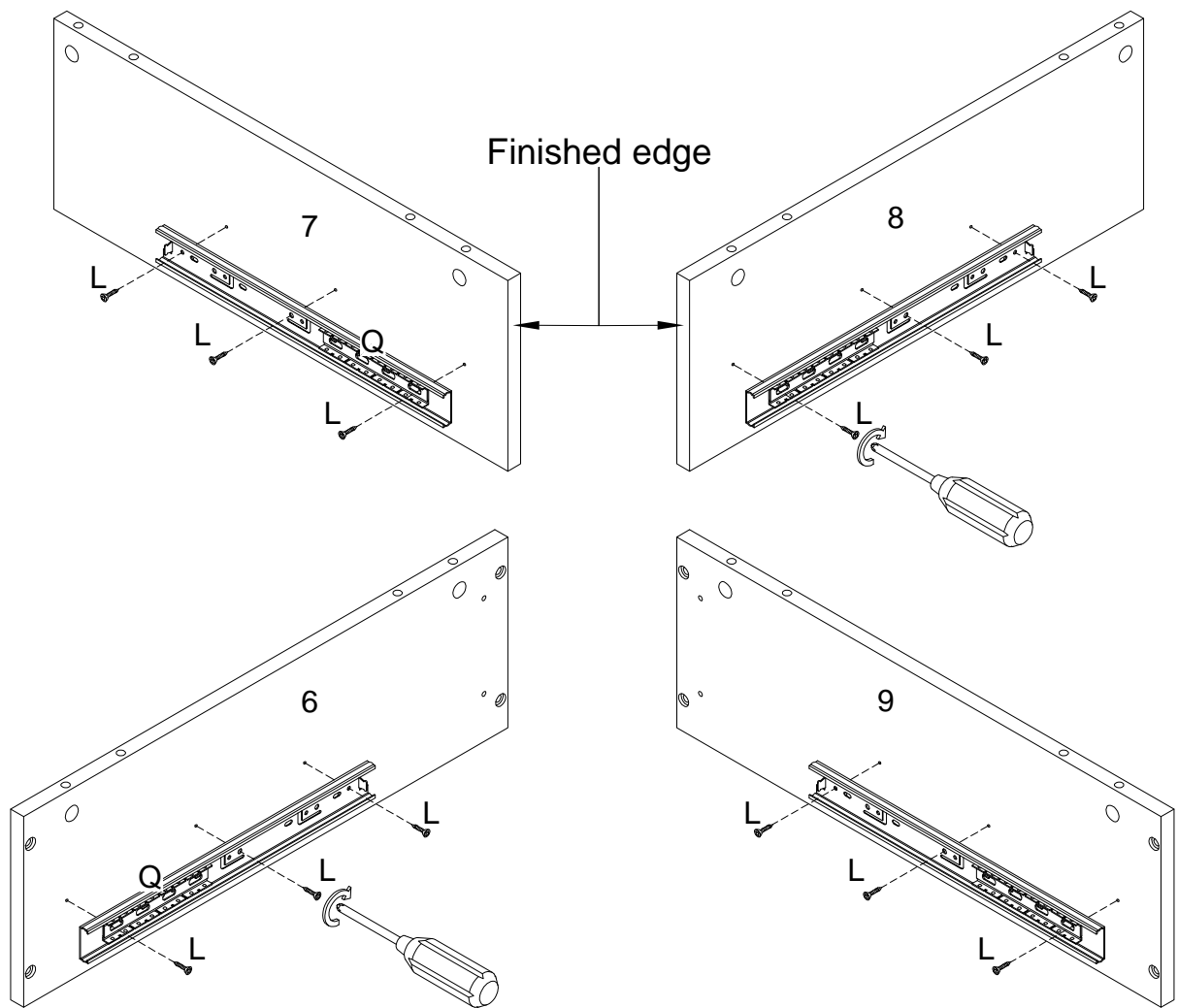
Pick up the Ball Bearing Slides (Q) and separate the slide Runner for the following Steps. Extend the Slide Runner all the way forward, press the plastic release lever of the ball bearing Slides up and pull the Slide Runner Complete out .

Step 2



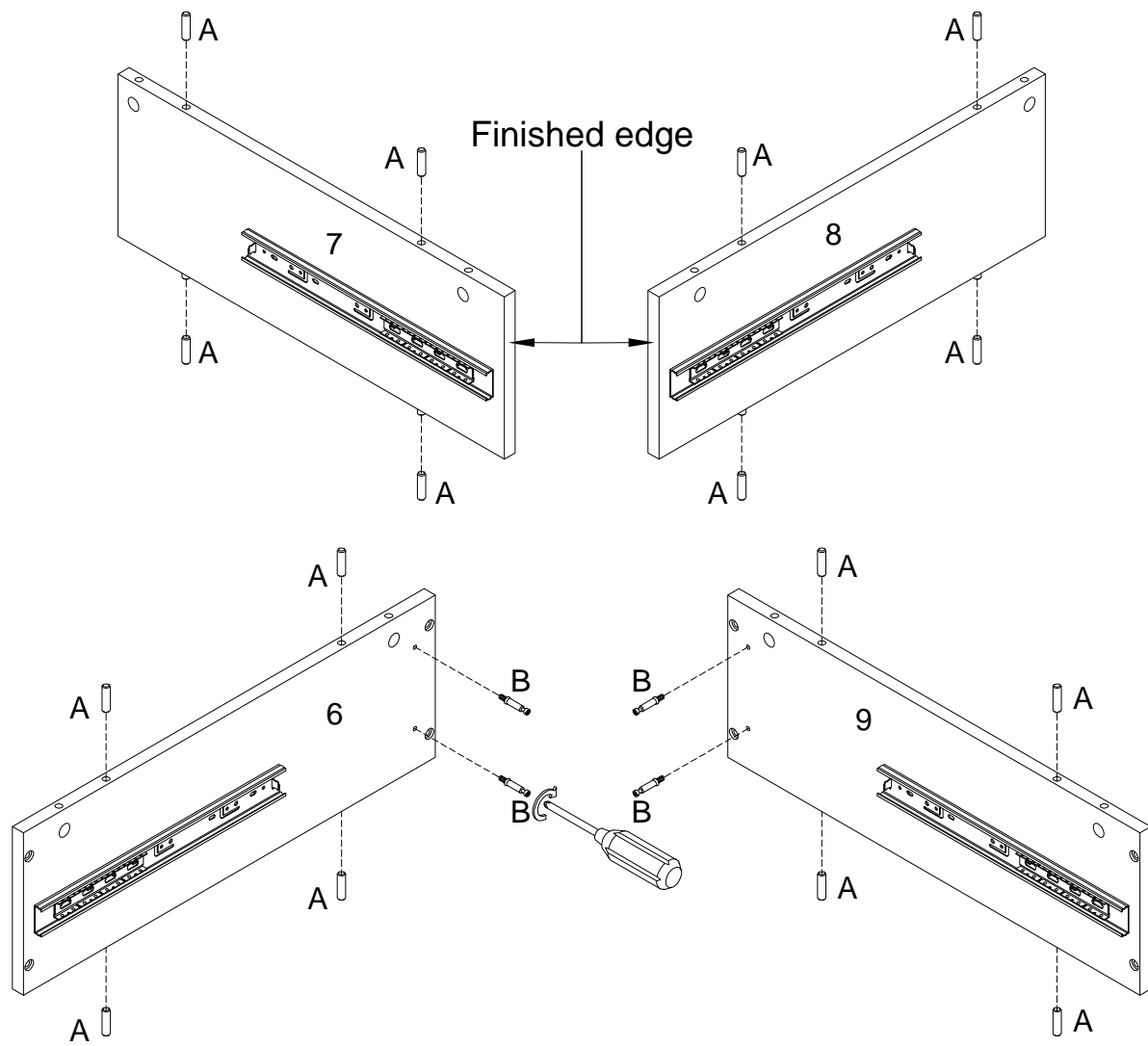
Secure cam bolt (B) into part (17), then using bolt (G) attach handle (F) into part (17) and using screw (L) attach slider (Q) into parts (14,15), with Philips head screwdriver as per diagram.

Step 3



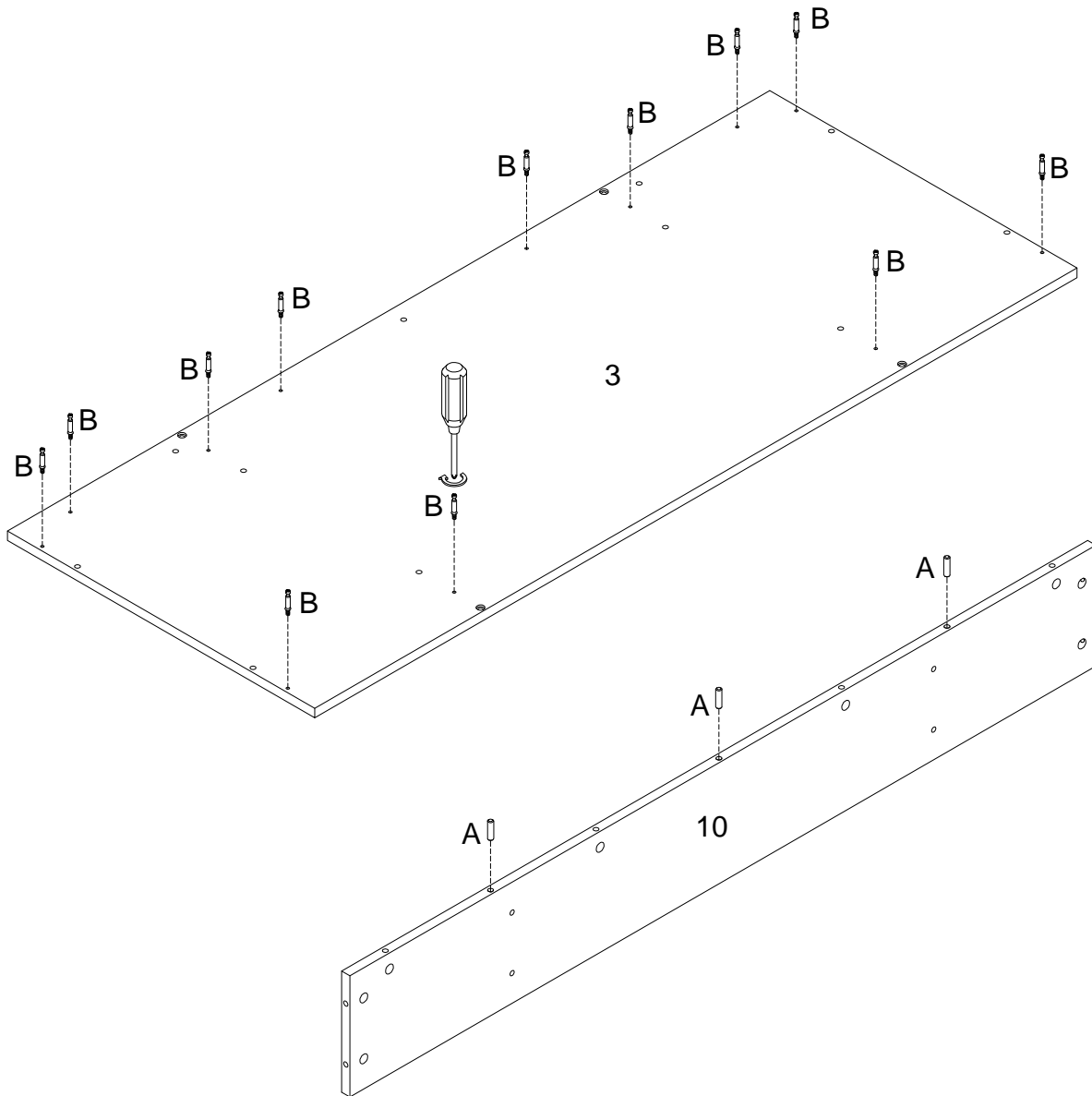
Use screw (L) attach slider (Q) into parts (6,7,8,9),with Philips head screwdriver as per diagram.

Step 4



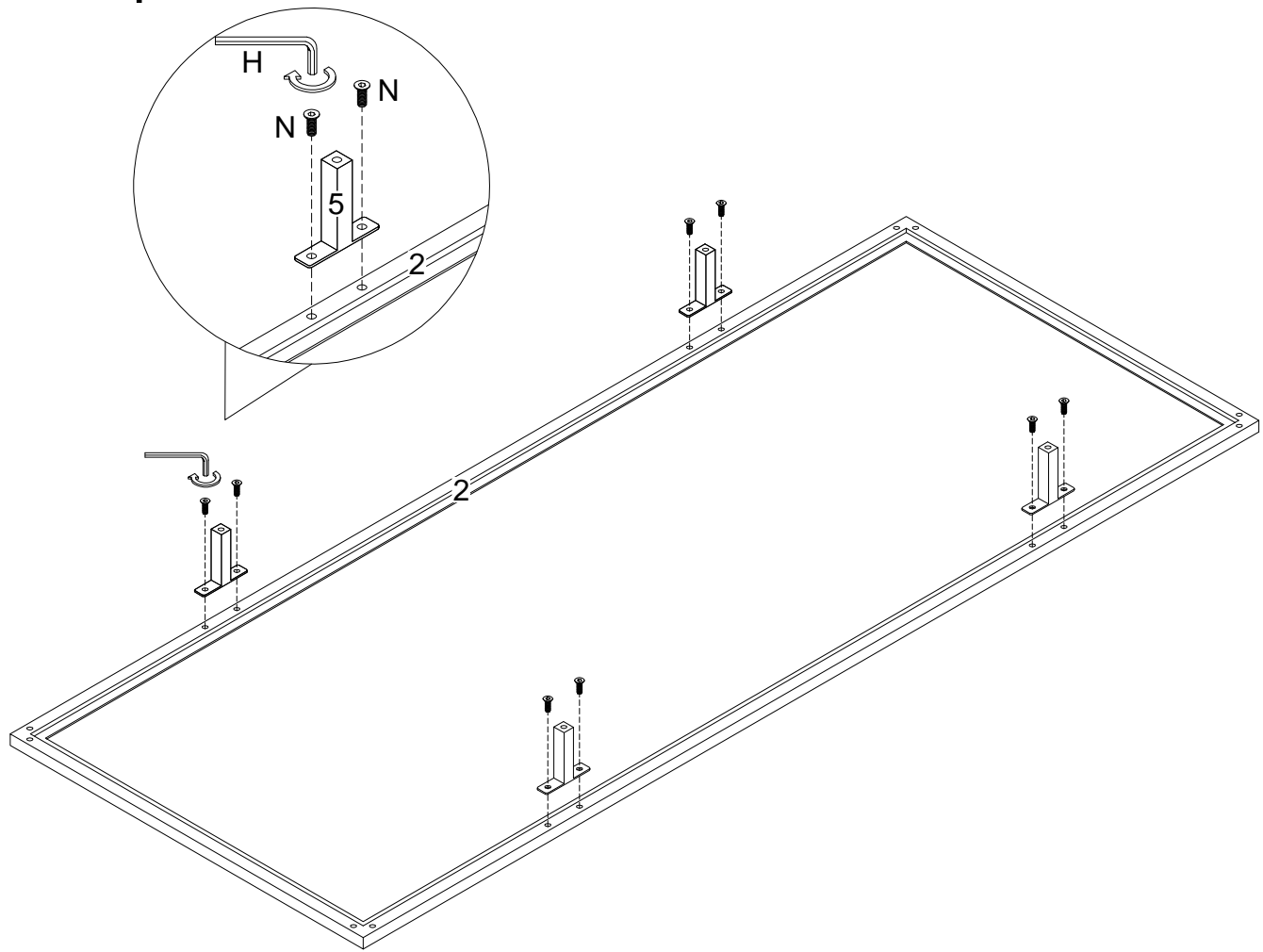
Insert wooden dowel (A) into parts (6,7,8,9,) ,then secure cam bolt (B) into parts (6,9) with Philips head screwdriver as per diagram.

Step 5



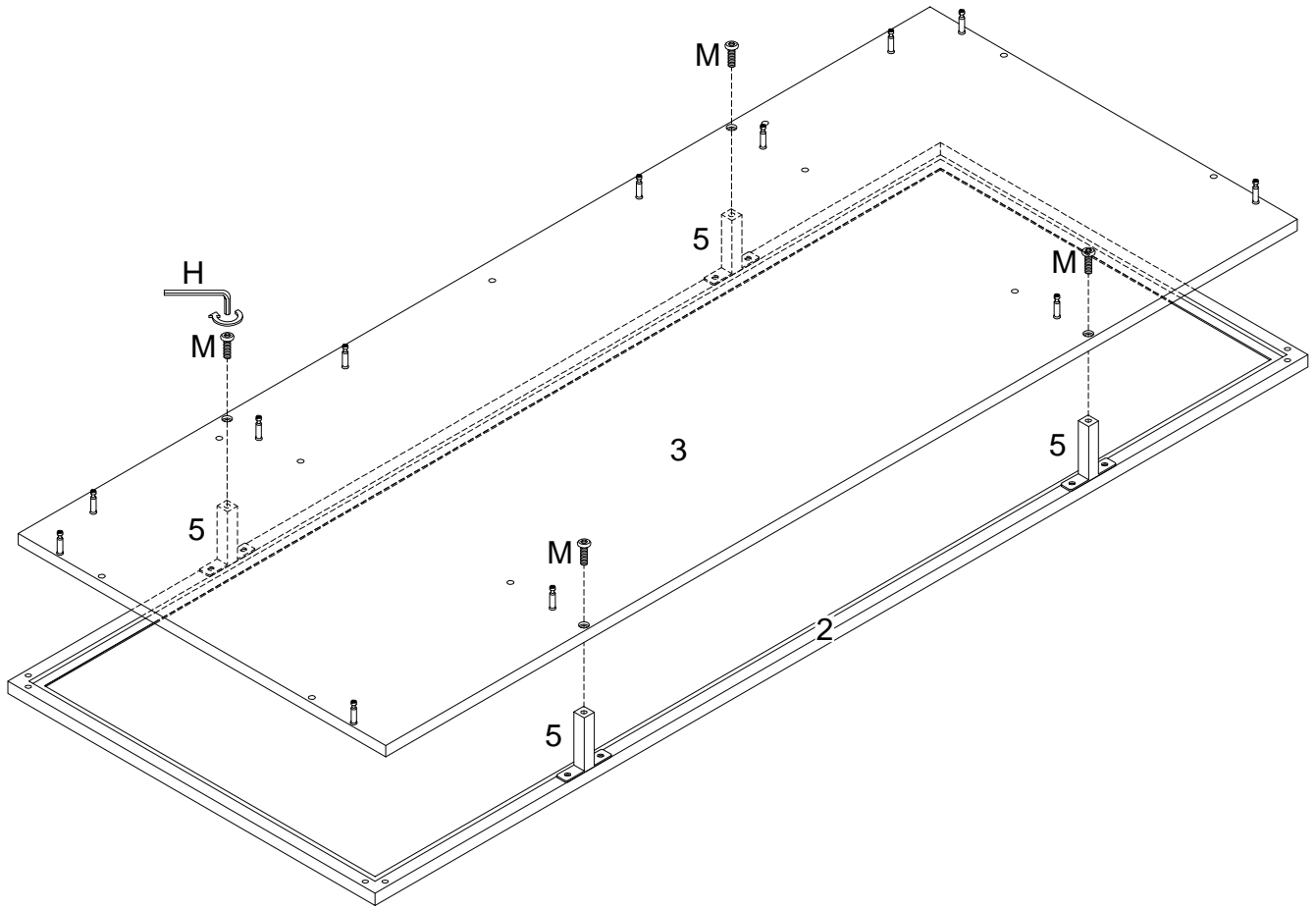
Insert wooden dowel (A) into part (10) ,then secure cam bolt (B) into part (3) with Philips head screwdriver as per diagram.

Step 6



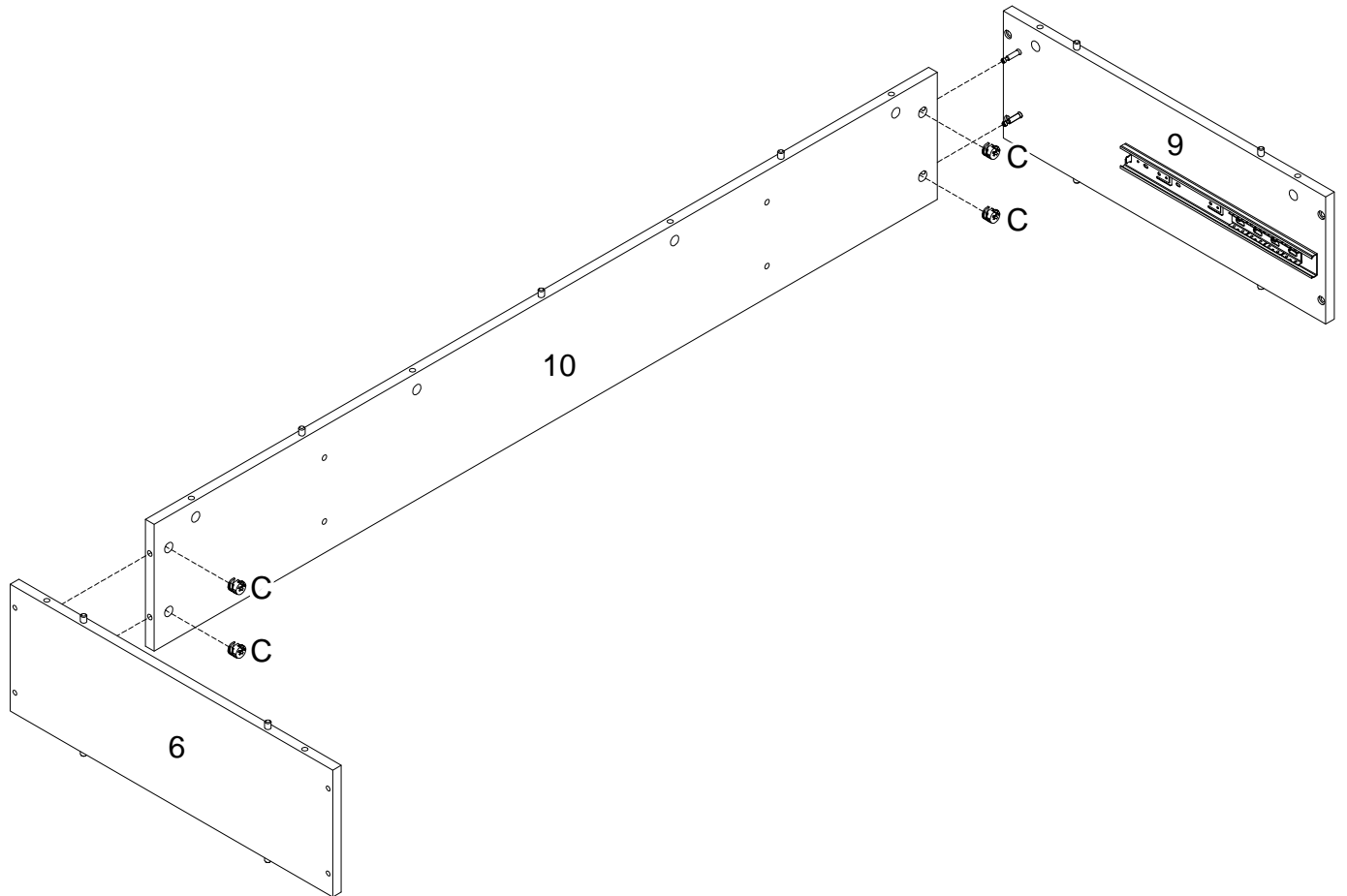
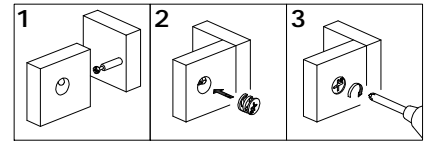
Using bolt (N) attach part (5) into part (2) with hex key (H) as per diagram.
Note: Do not tighten all bolts.

Step 7



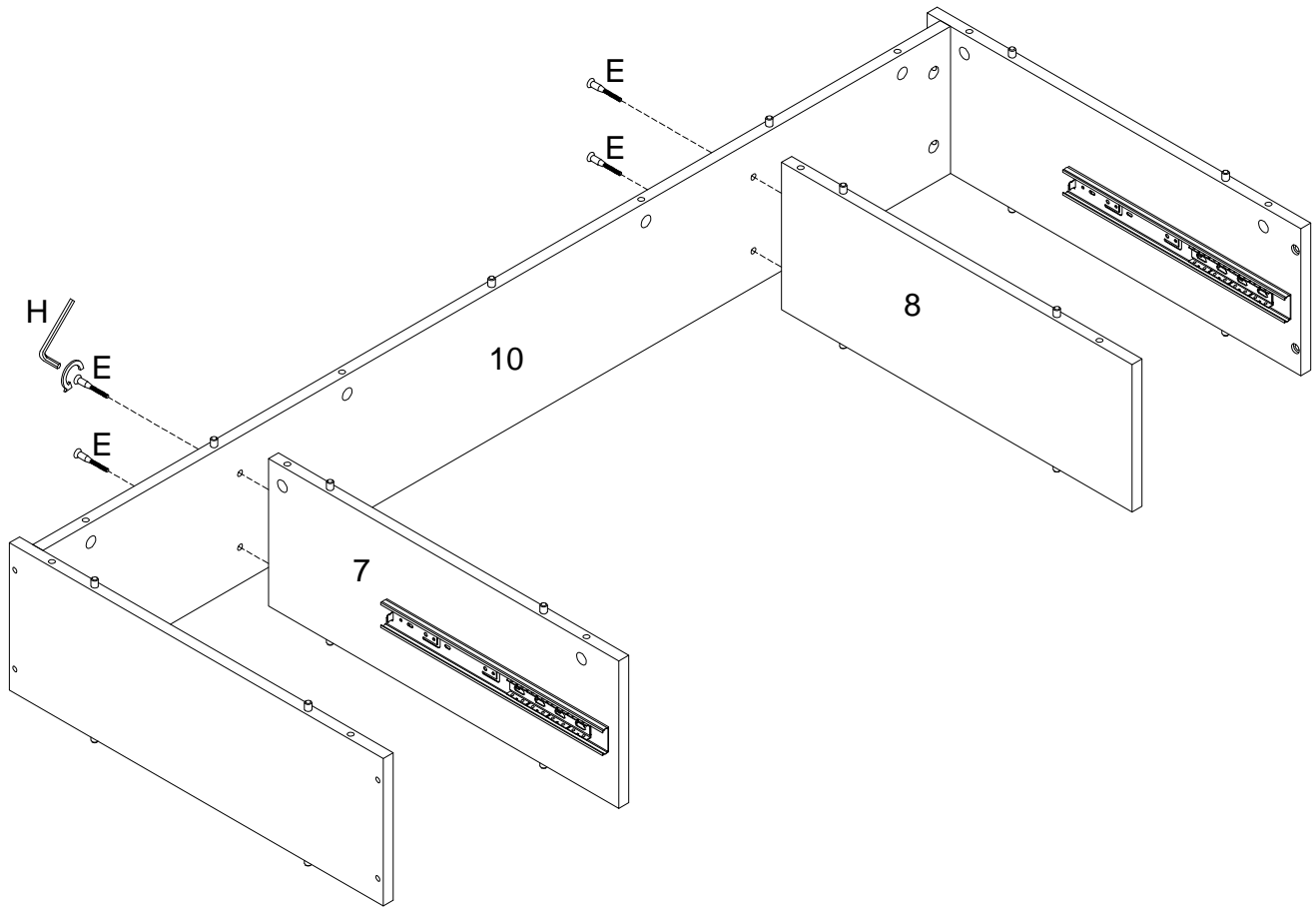
Using bolt (M) attach part (3) into part (5) with hex key (H) as per diagram.

Step 8



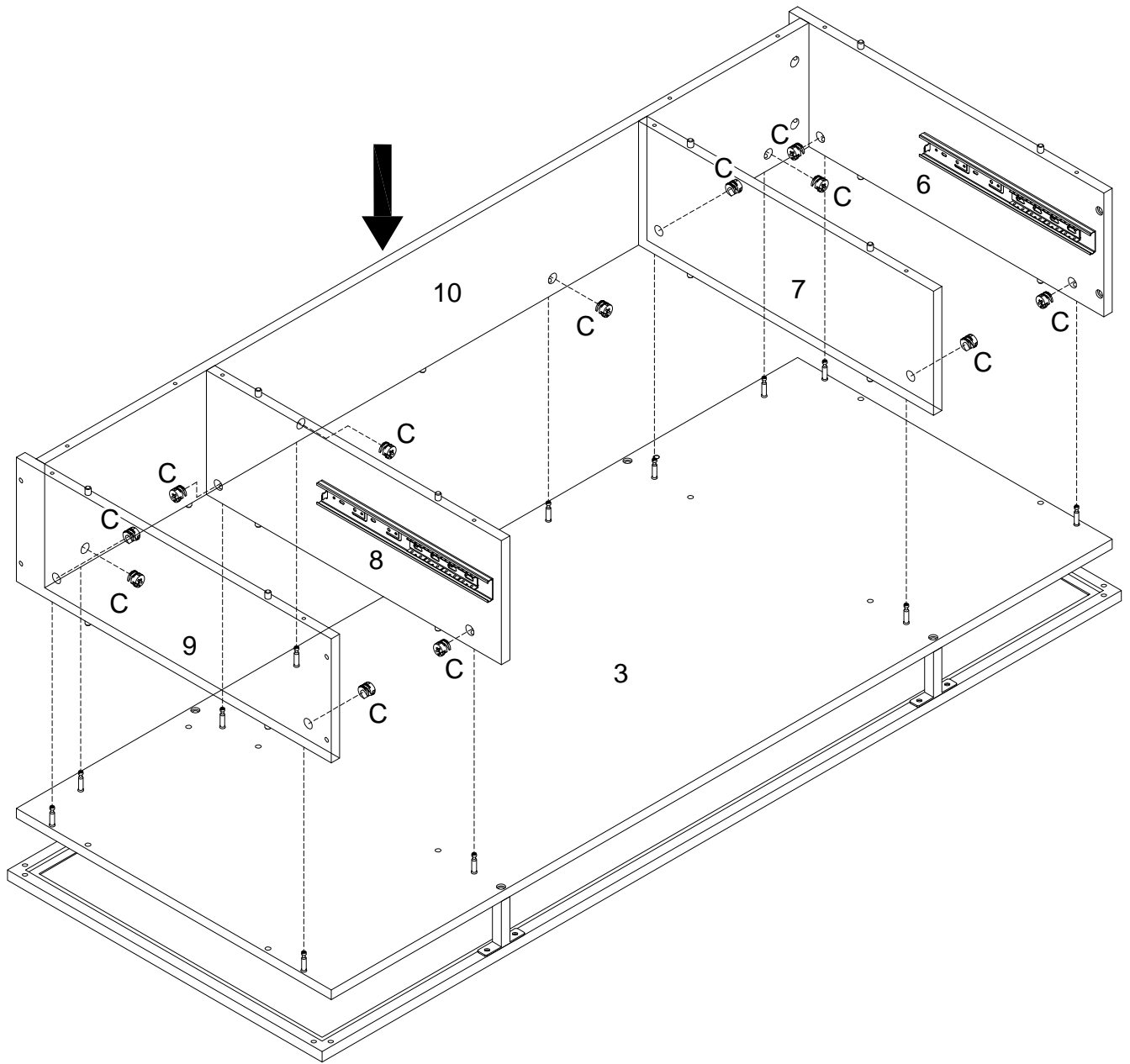
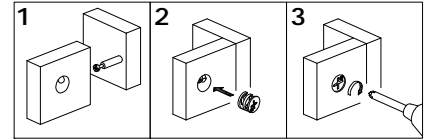
Using cam lock(C) secure parts (6,9) into part (10) with Philips head screwdriver as per diagram.

Step 9



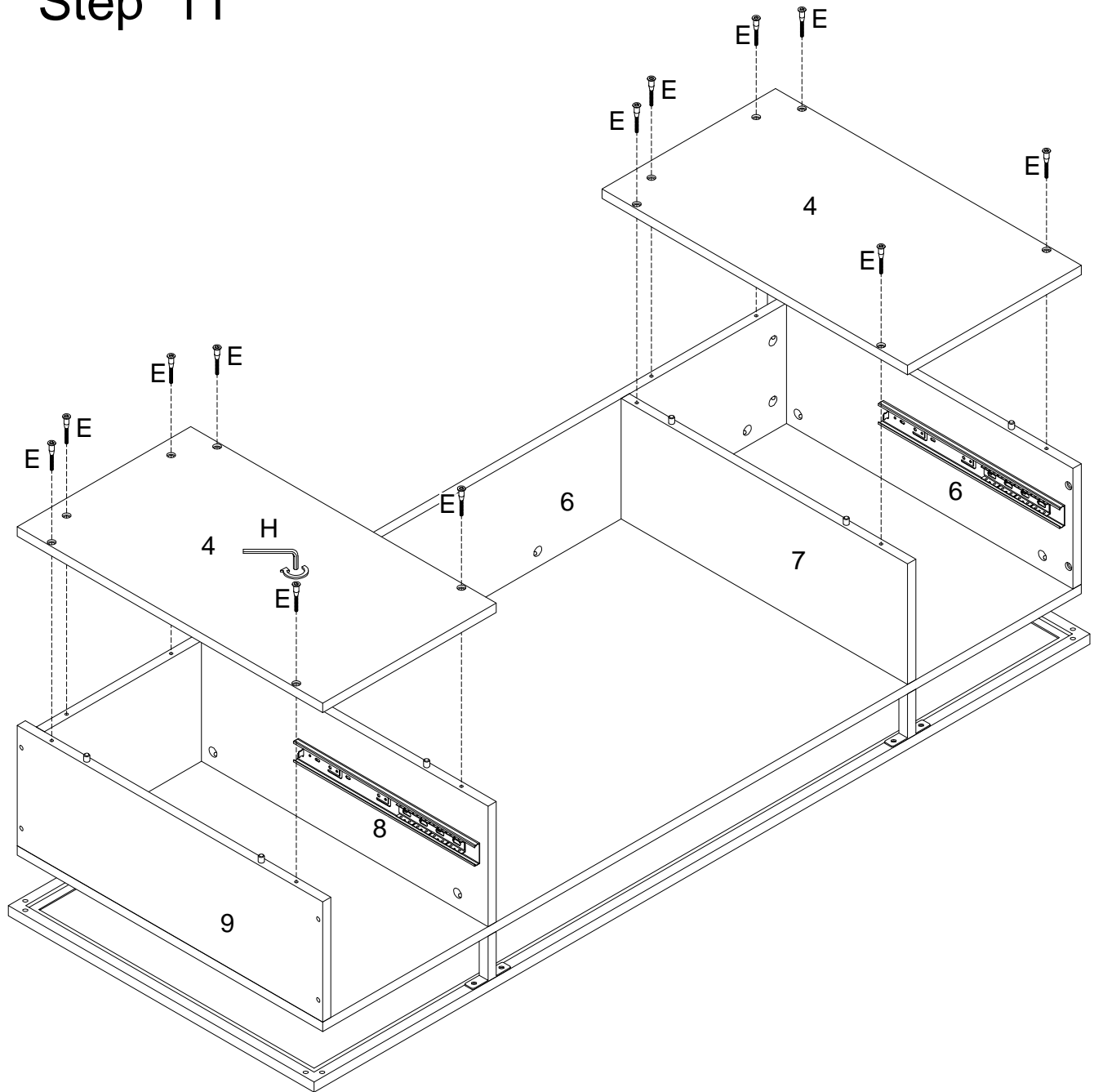
Using screw (E) attach part (10) into parts (7,8) with hex key (H) as per diagram.

Step 10



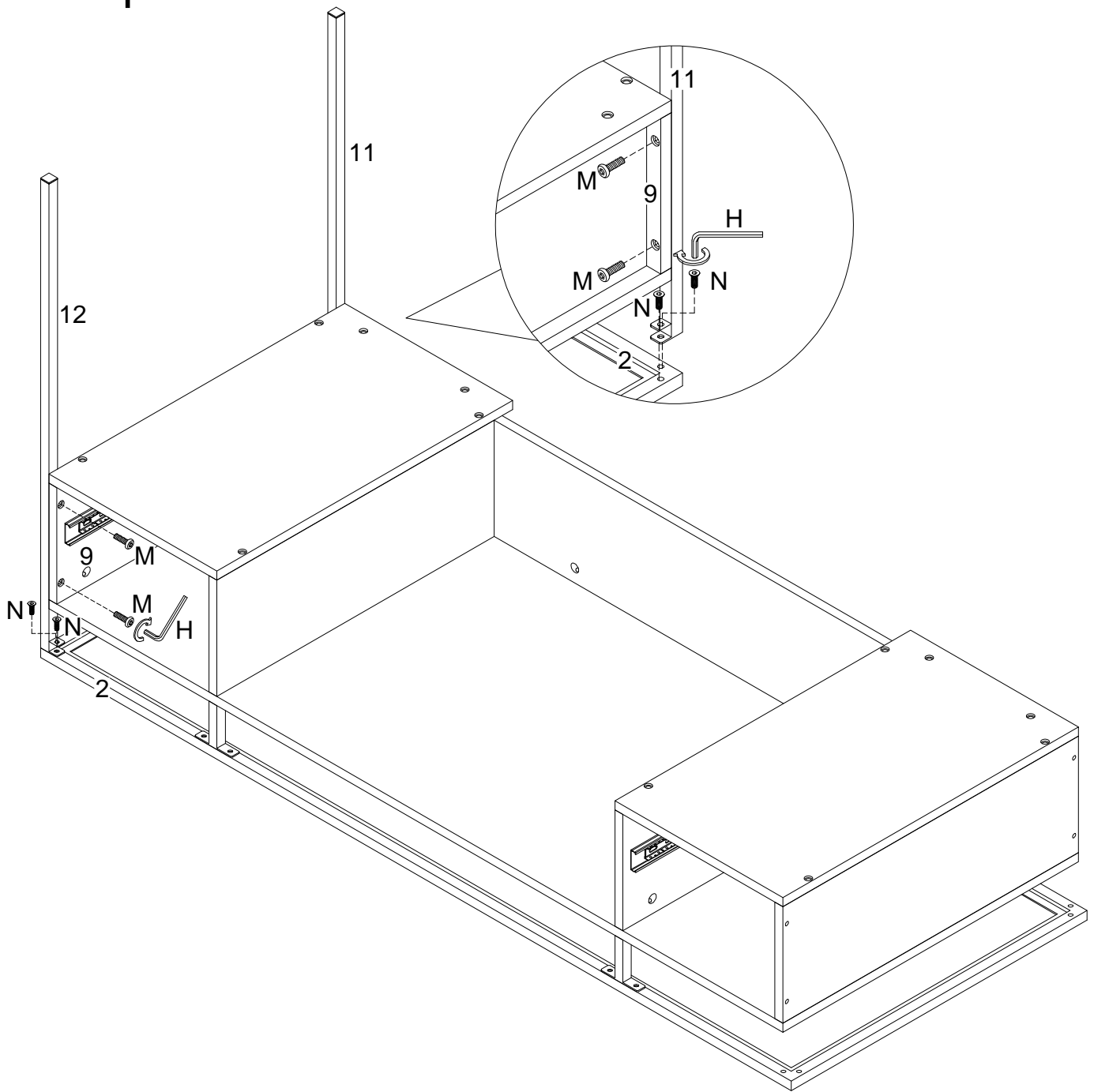
Using cam lock(C) secure parts (6,7,8,9,10) into part (3) with Philips head screwdriver as per diagram.

Step 11



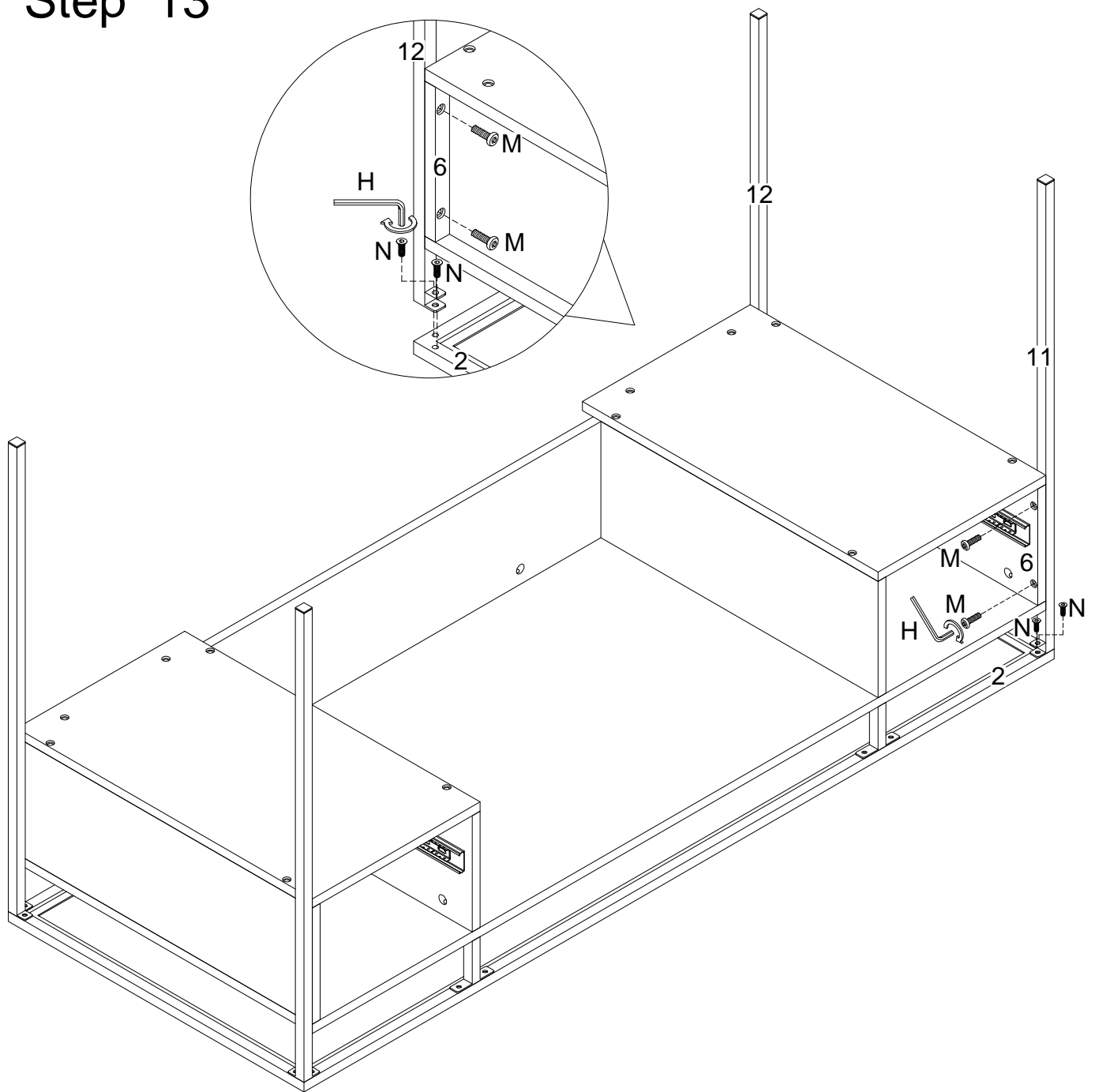
Using screw (E) attach part (4) into parts (6,7,8,9,10) with hex key (H) as per diagram.

Step 12



Using bolts (M,N) attach parts (11,12) into parts (2,9) with hex key (H) as per diagram.

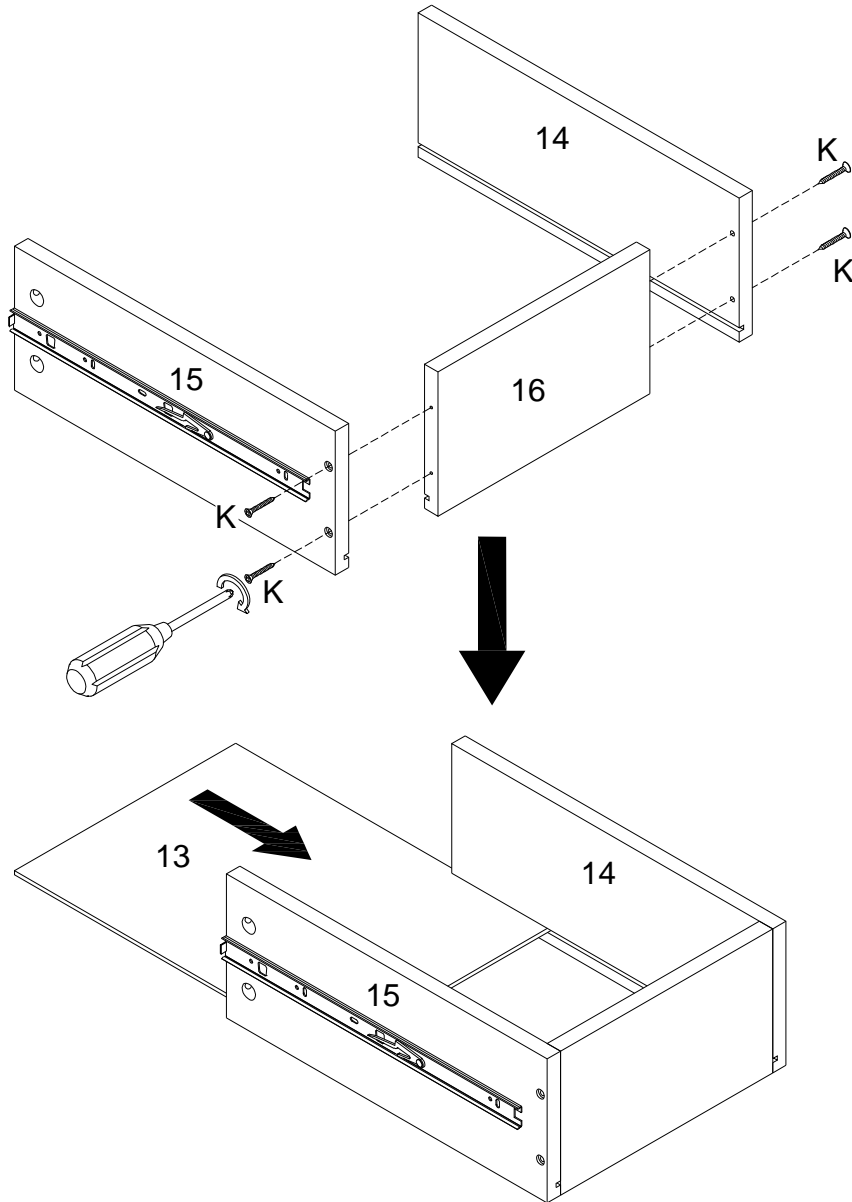
Step 13



Using bolt (M,N) attach parts (11,12) into parts (6,2) with hex key (H) as per diagram.
Tighten all the bolts.

Step 14

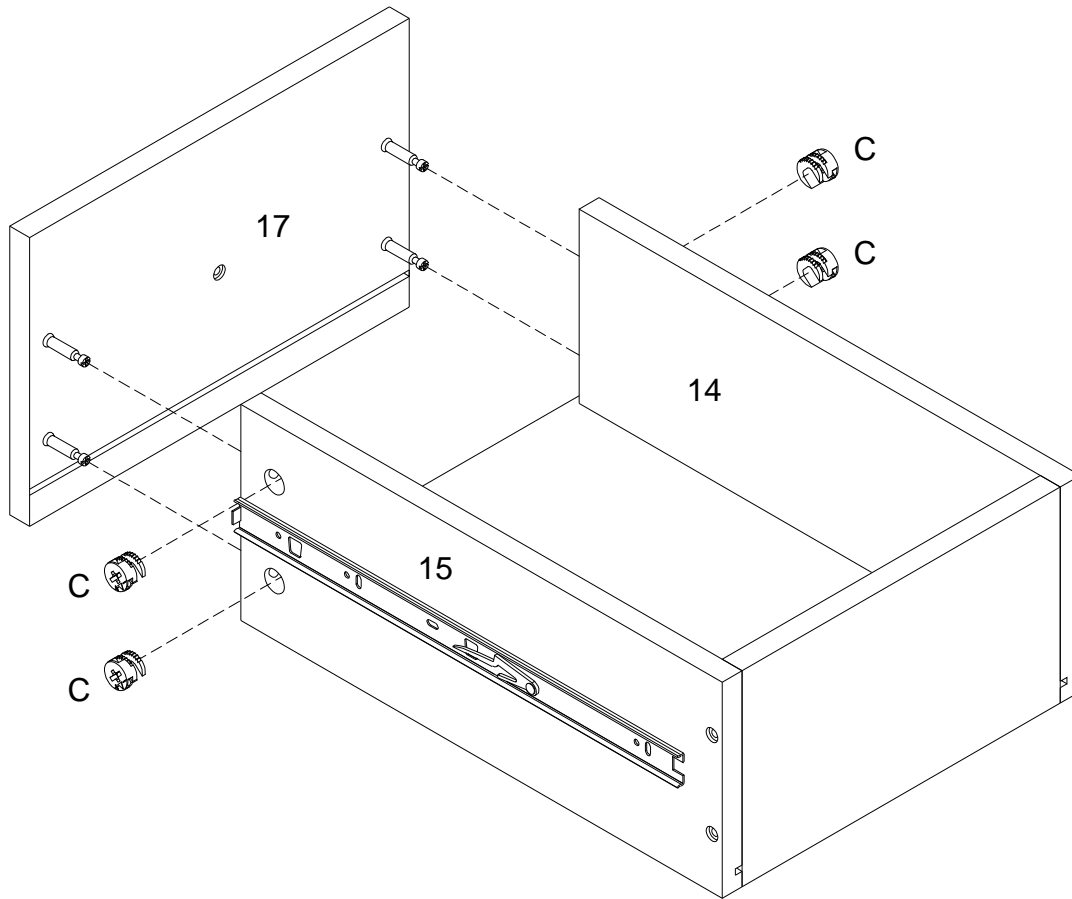
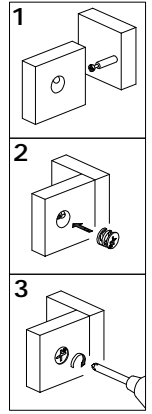
x 2



Using screw (K) attach parts (14,15) into part (16) with Philips head screwdriver ,then put part (13) as per diagram.

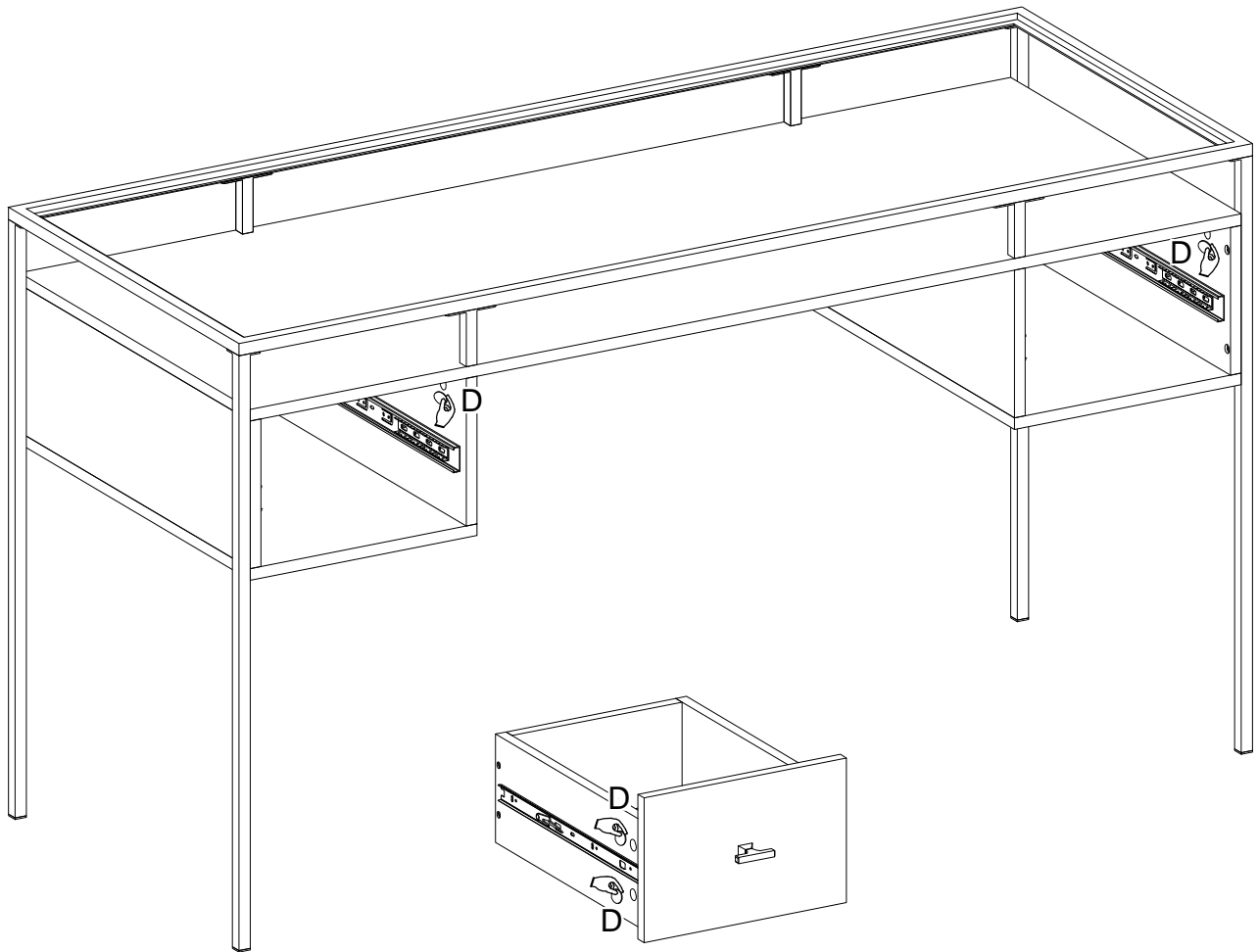
Step 15

x 2



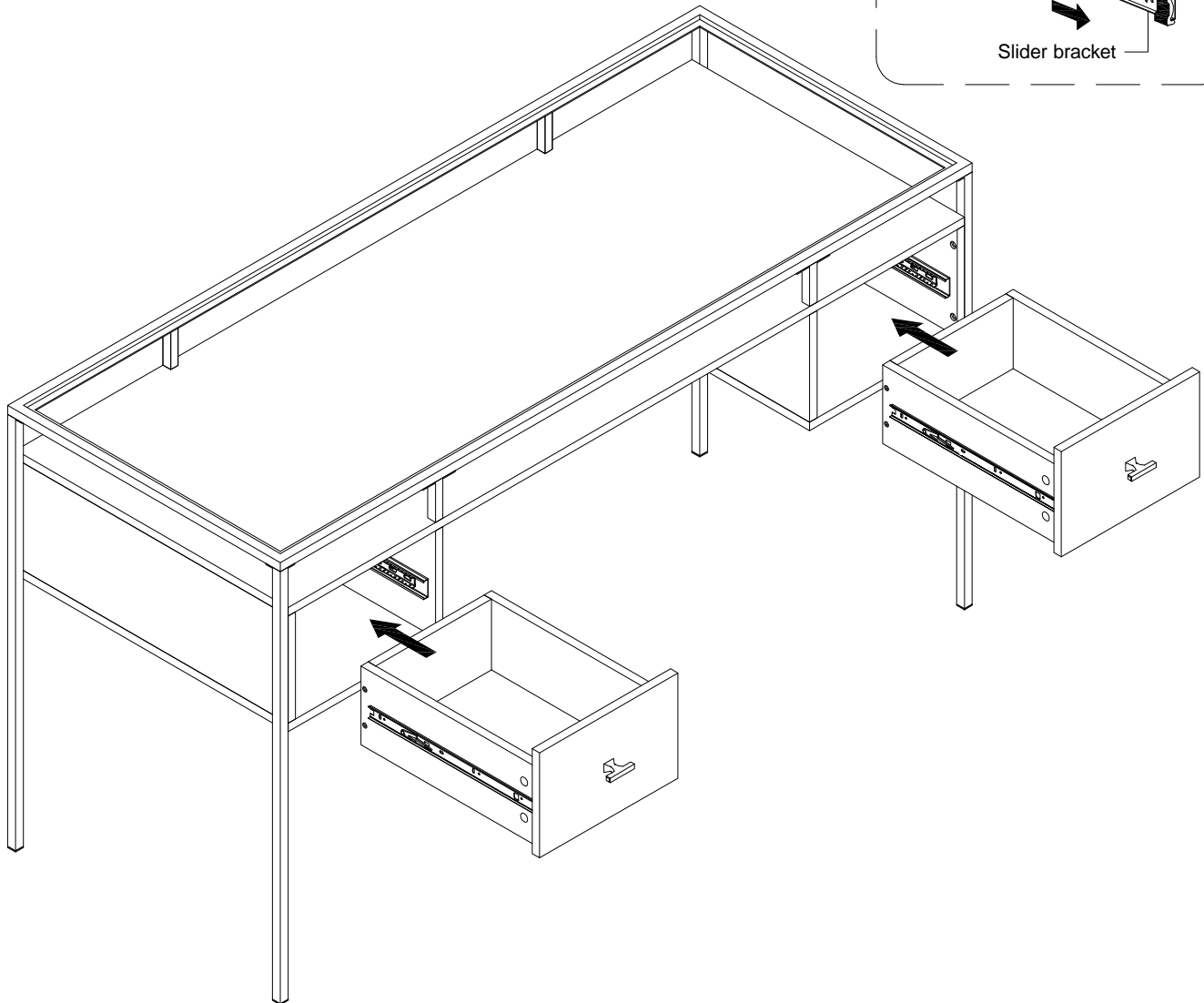
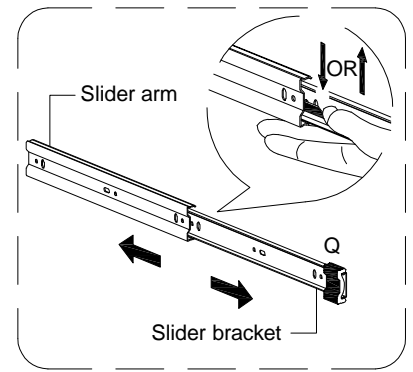
Using cam lock(C) secure part (17) into parts (14,15) with Philips head screwdriver as per diagram.

Step 16



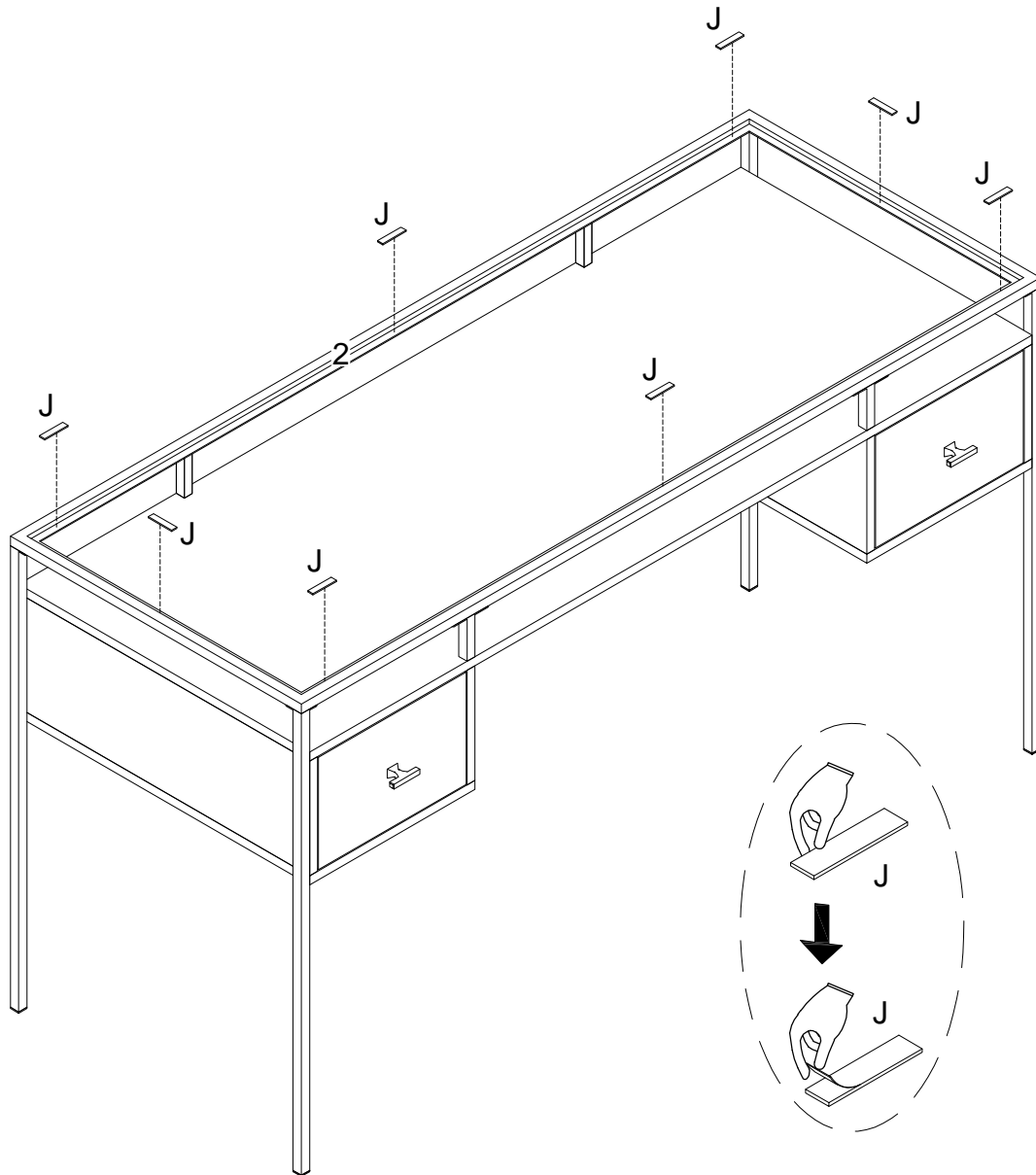
Place sticker (D) cover the holes as per diagram .

Step 17



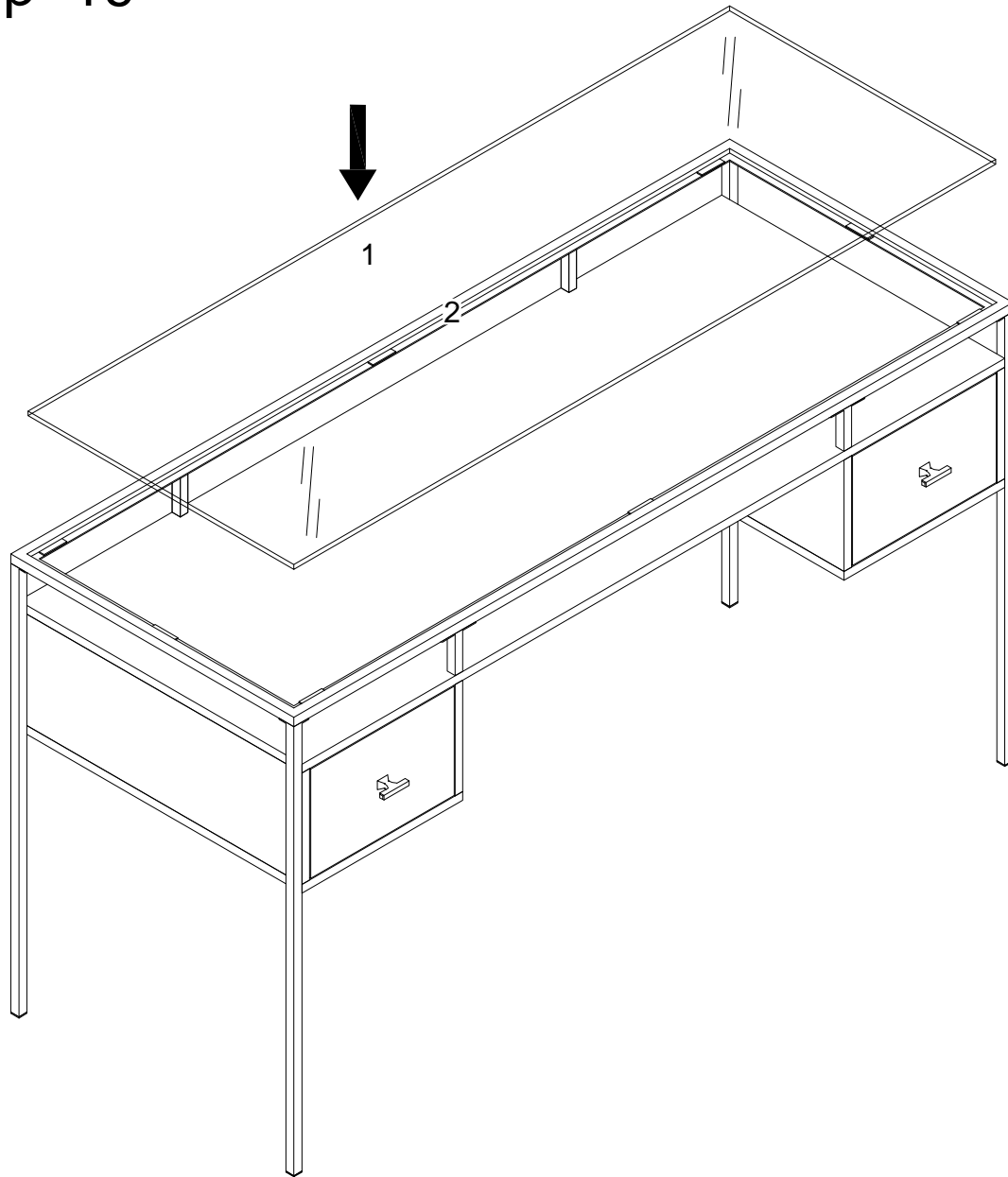
Insert the assembled drawers into the unit frame, extend the Ball Bearing Slide Tracks on the pedestal Side Panel all the way forward. Then align the Slide Runners on the assembled drawers with the Slide Tracks and push the drawer carefully inside until it stops.

Step 18



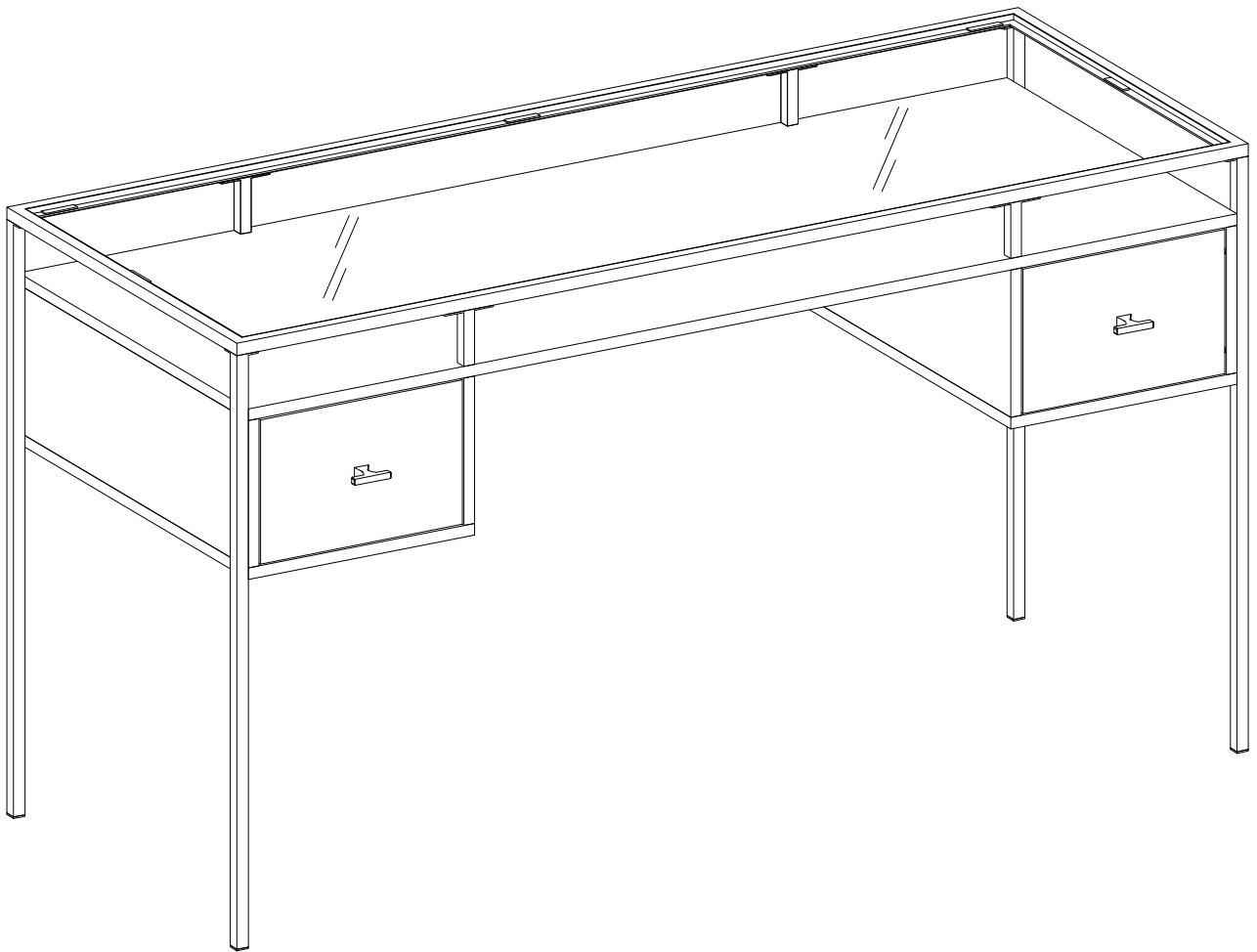
Tear off and put glass pads (J) as per diagram.

Step 19



Put part (1) as per diagram.

Step 20



Final Assembly