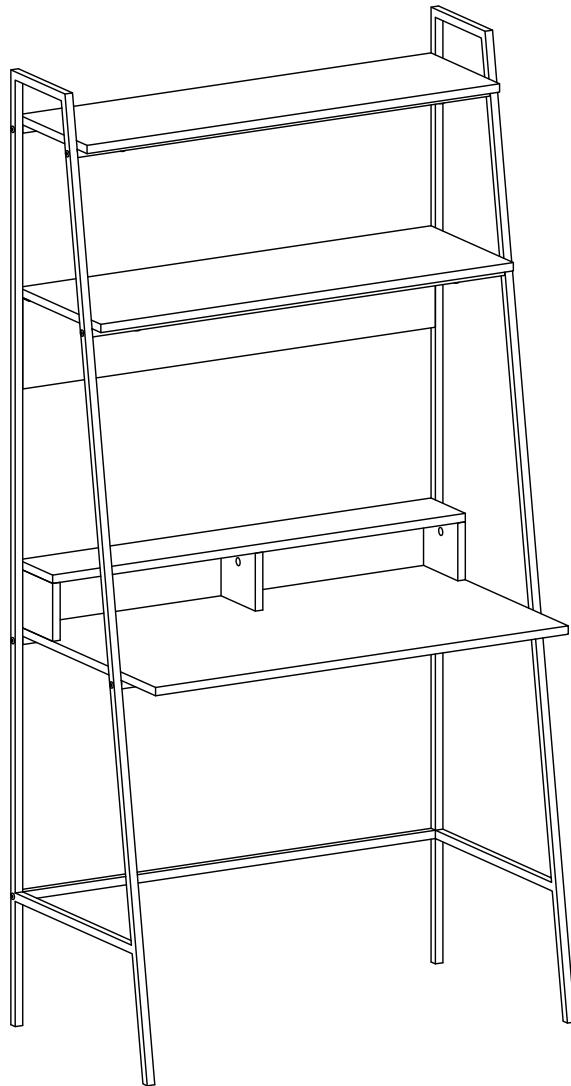


# Item # : D36ARLO

## Assembly Instructions



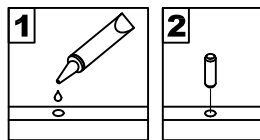
Walker Edison®

Please visit our website for the most current instructions, assembly tips, report damage, or request parts. [www.walkerediton.com](http://www.walkerediton.com)

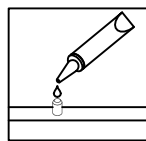
Revised 08/08/2018

# General Assembly Guidelines

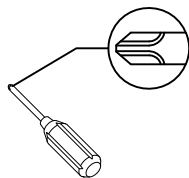
- I. Ensure that all parts and hardware are available before beginning assembly.
- II. Follow each step carefully to ensure the proper assembly of this product.
- III. Two people are recommended for ease in the assembly of this product.
- IV. The three main types of hardware used to assemble this product are: wood dowels, screws and bolts.
- V. The provided glue is to secure wood dowels in place. When first inserting dowels, locate the appropriate hole for the dowel, place a small amount of glue in the hole and insert the dowel. Wipe away excess glue immediately.



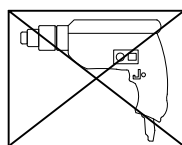
In future assembly steps when dowels are necessary to attach assembly parts together, place a small amount of glue on the end of the dowel before attaching parts together. Wipe away excess glue immediately.



- VI. A Phillips head screwdriver is required for the assembly of this product .

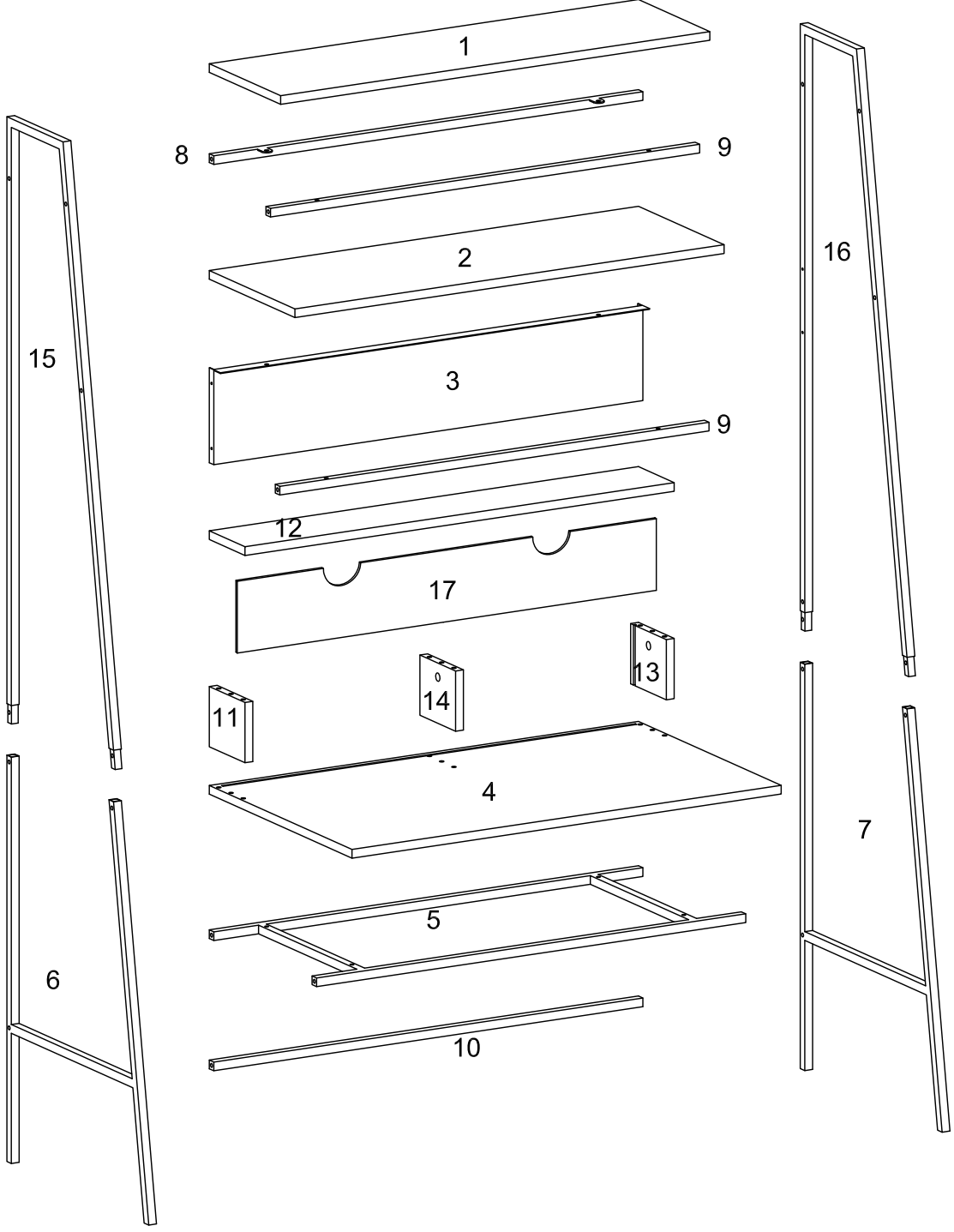


- VII. Power tools should not be used to assemble this product.

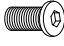

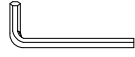

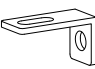

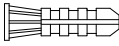



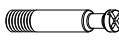


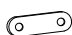

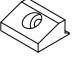
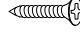
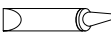


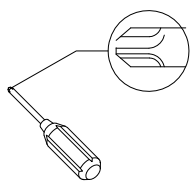
- VIII. Drill may be needed for securing product to wall.

# Parts List



# Hardware List

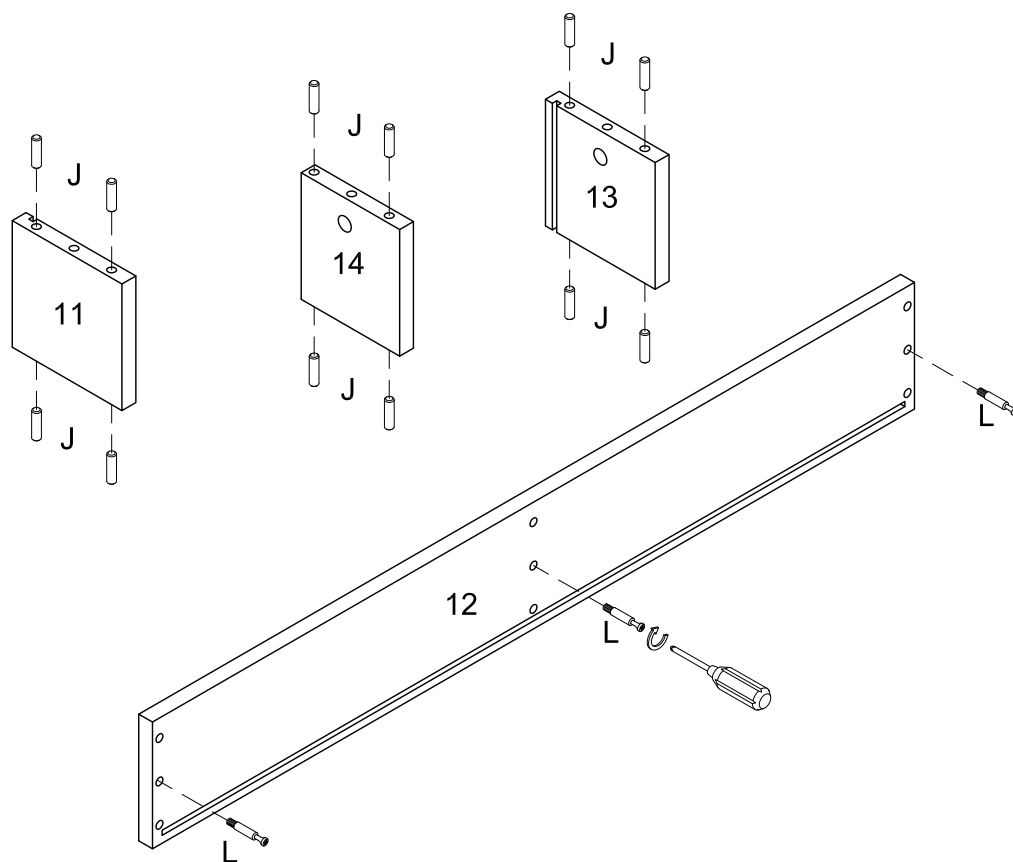
A		Ø1/4"x12mm	Bolt	5 pcs
B		Ø1/4"x25mm	Bolt	20 pcs
C		4mm	Hex Key	1 pcs
D		Ø16x6.5x1.0mm	Washer	1 pcs
E		40x25x20mm	Bracket	1 pcs
F		Ø4x30mm	Screw	1 pcs
G			Wall anchor	1 pcs
H		Ø6x50mm	Bolt	3 pcs
J		Ø8x30mm	Wooden dowel	12 pcs
K		Ø15x9.5mm	Cam lock	3 pcs
L		Ø6x32mm	Cam bolt	3 pcs
M		Ø30mm	Sticker	3 pcs
N		Ø4x12mm	Screw	12 pcs
P		40x12x2mm	Plate	2 pcs
Q			Corner plate	2 pcs
R			Plastic wedge	4 pcs
S		Ø3x17mm	Screw	4 pcs
T			Glue tube	1 pcs



Philips head screwdriver required for assembly  
(not included)

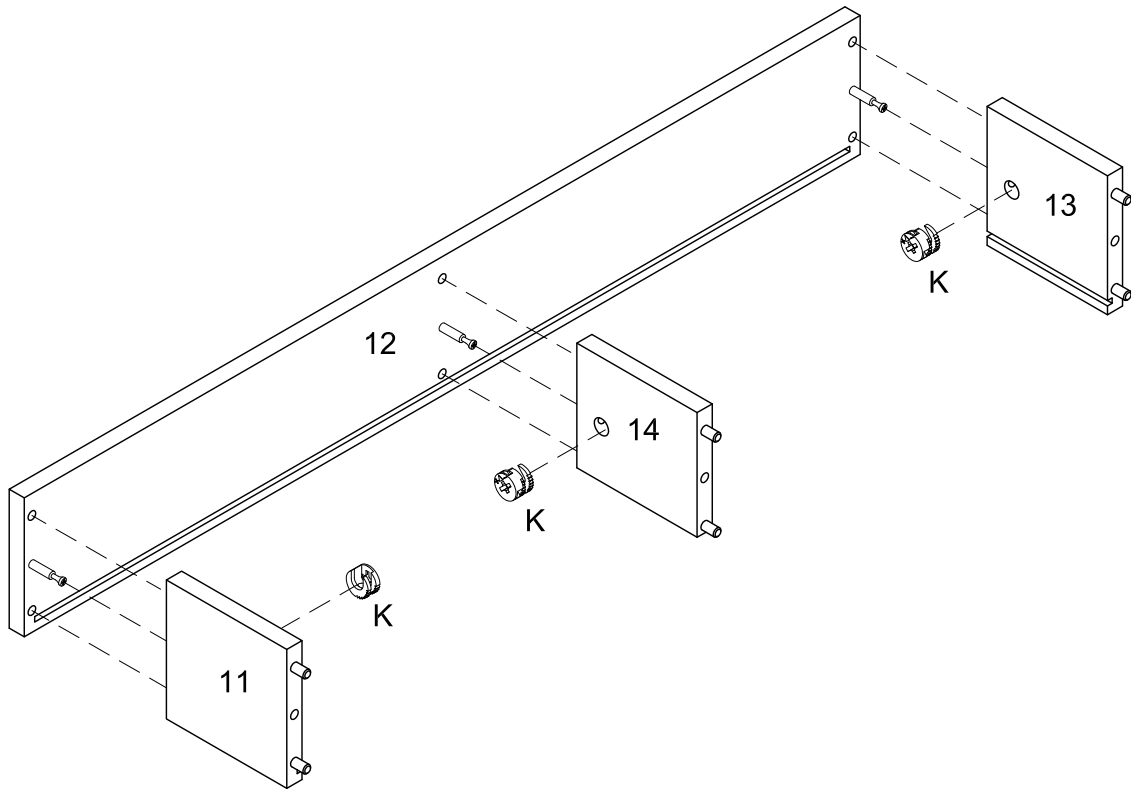
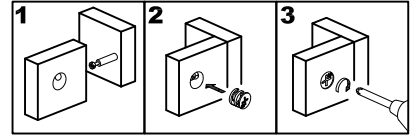
*The hardware quantities listed above are required for proper assembly.  
Some extra hardware may also have been included.*

# Step 1



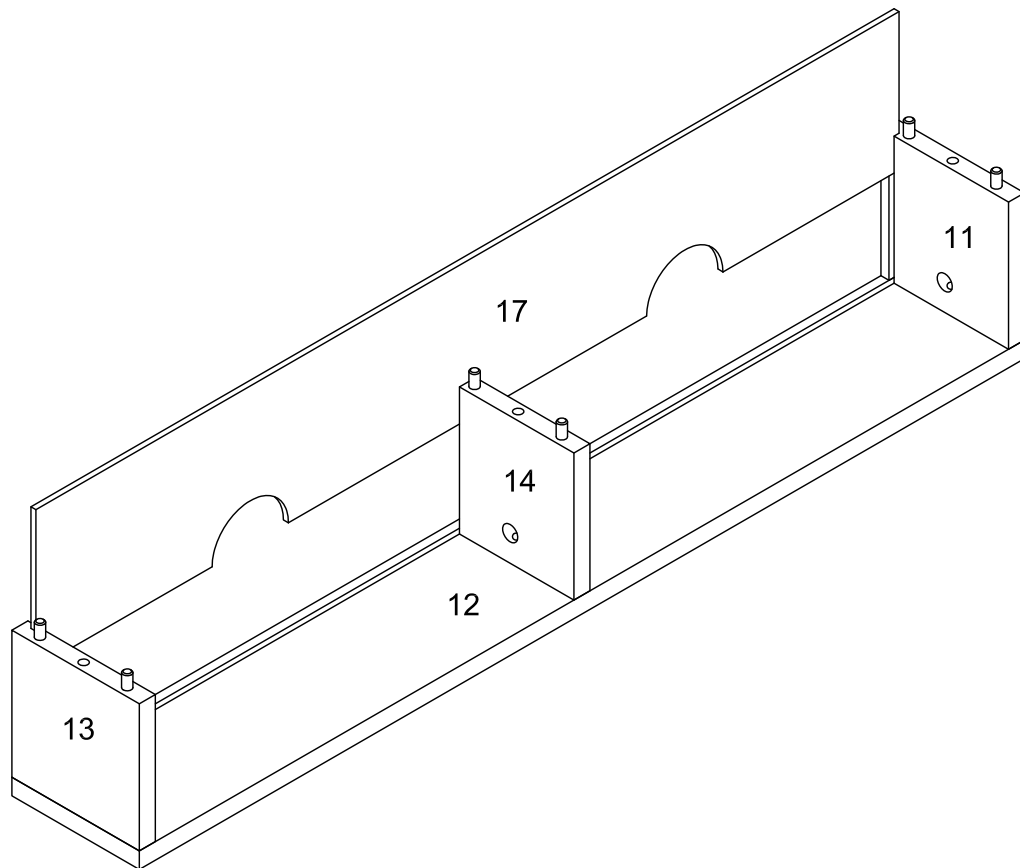
Insert wooden dowel (J) into part (11,13,14), secure cam bolt (L) to part (12) with screwdriver.

# Step 2



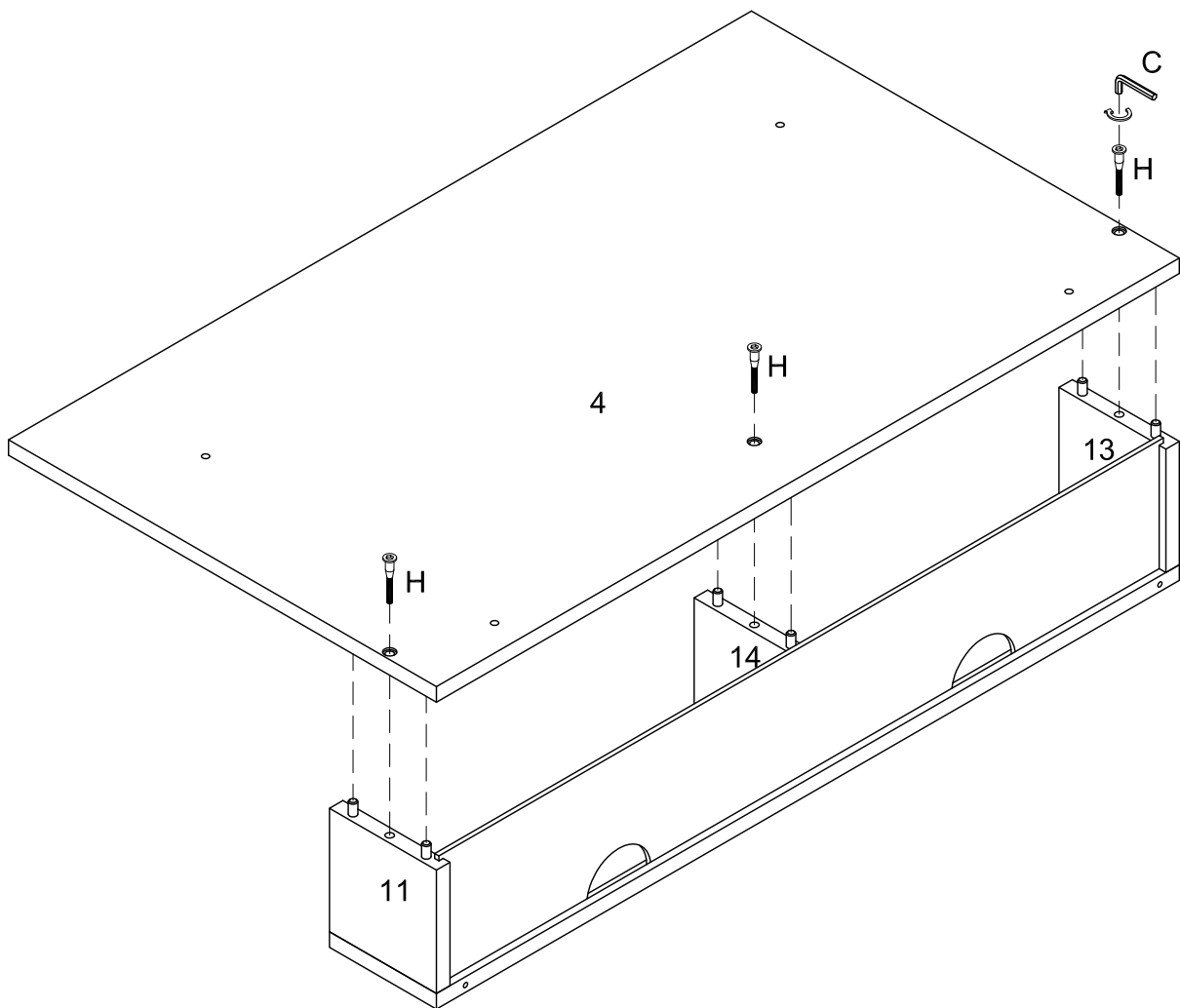
Insert part (11,14,13) to part (12), then secure cam lock (K) to part (11,14,13) with screwdriver.

# Step 3



Insert part (17) to part (12) as per diagram.

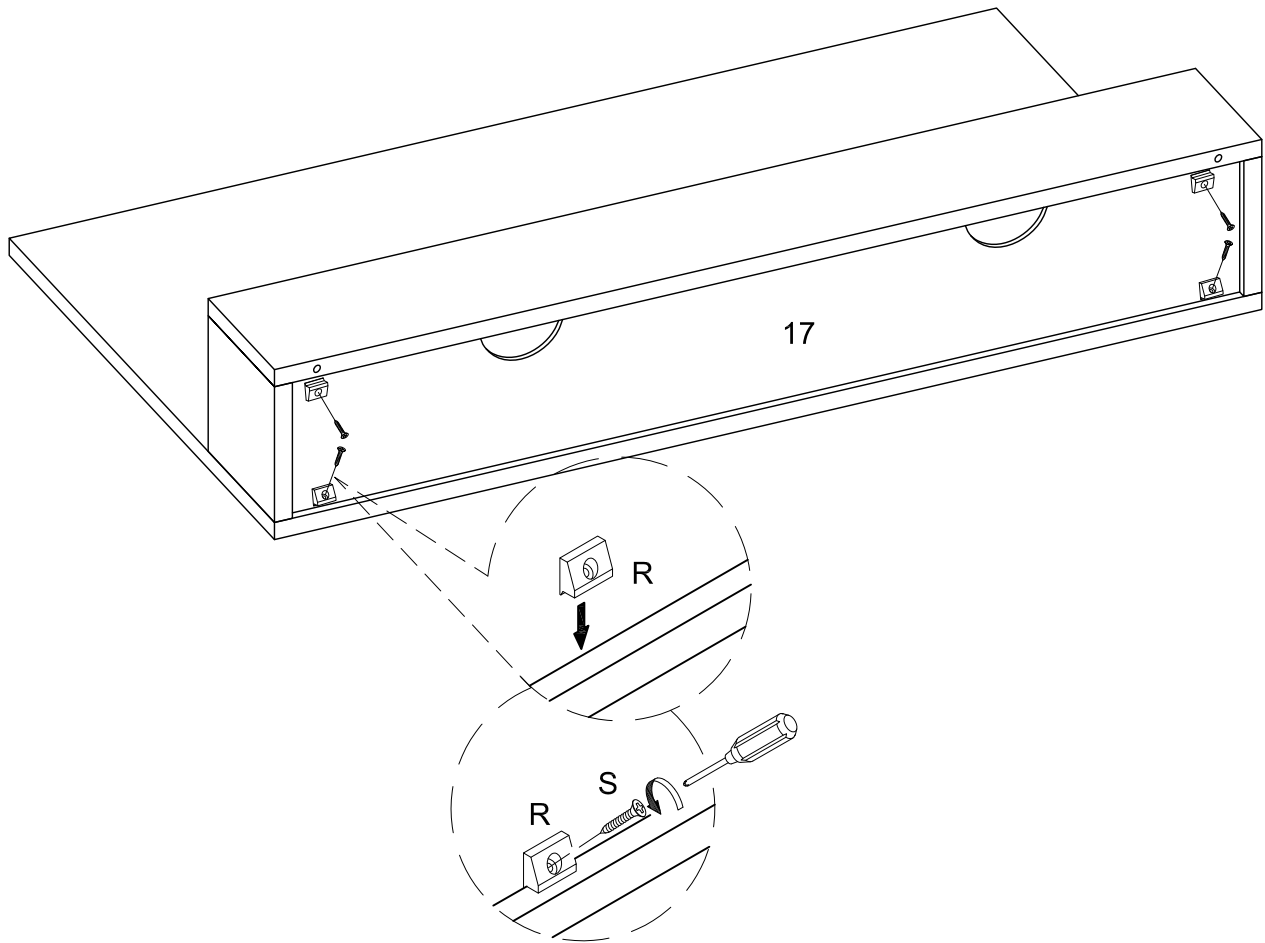
# Step 4



Attach part (4) to part (11,14,13) using bolt (H) with hex key (C).

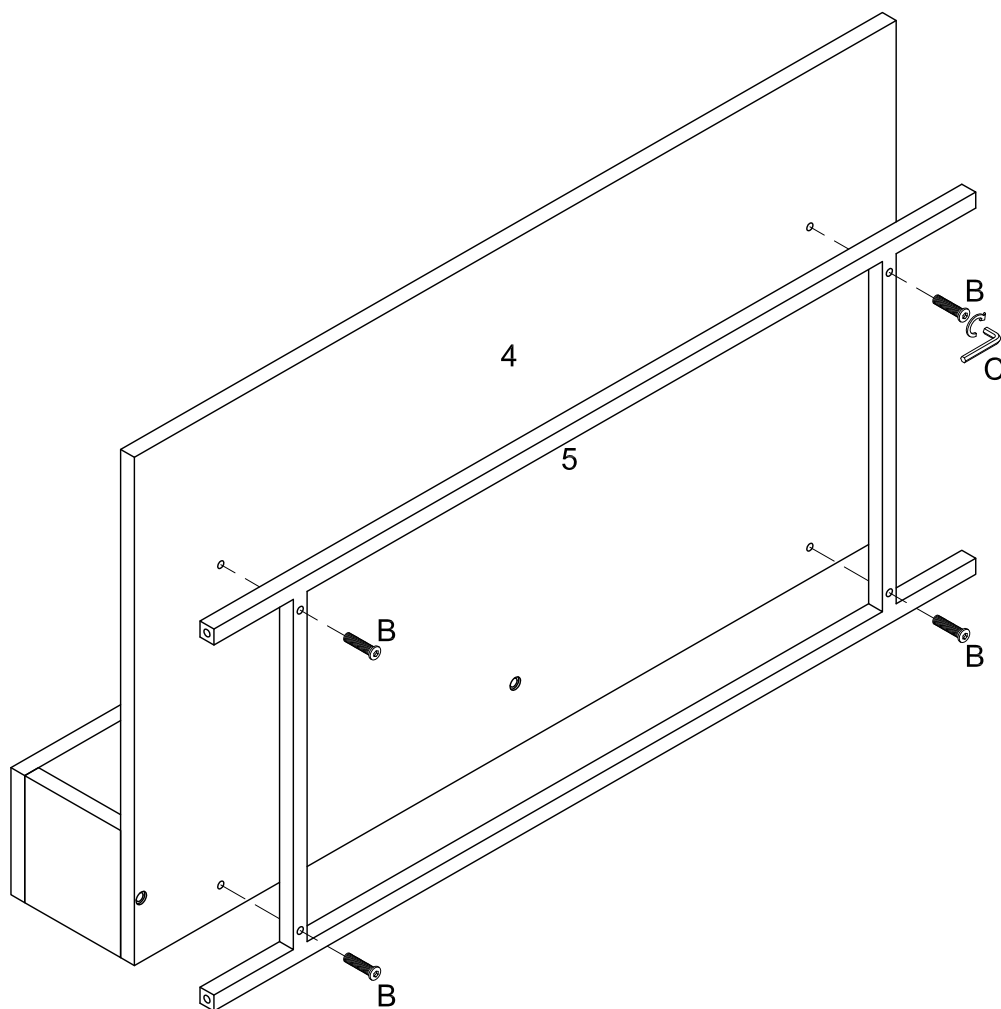


# Step 5



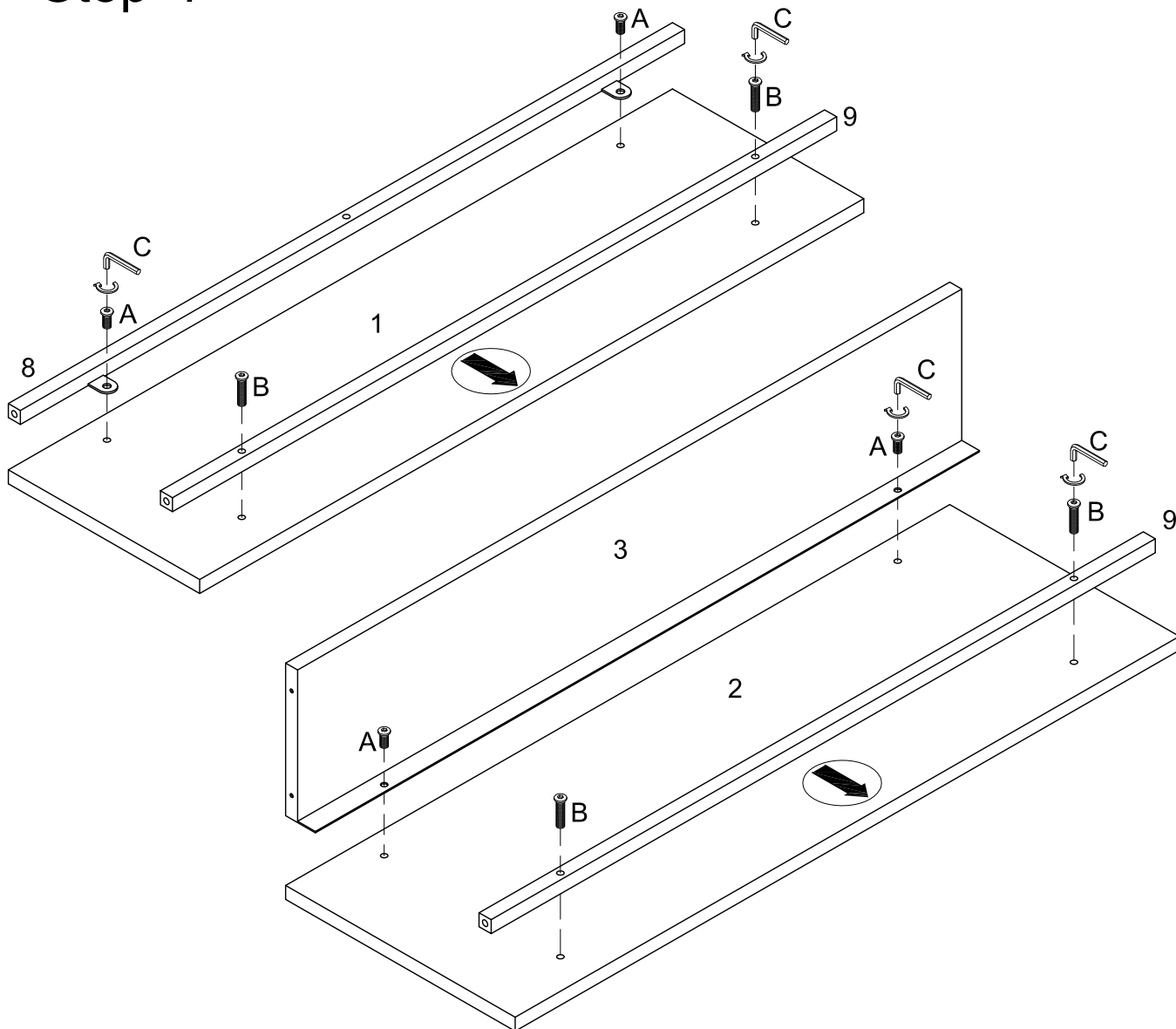
Attach plastic wedge (R) to part (17) using screw (S) with screwdriver.

# Step 6



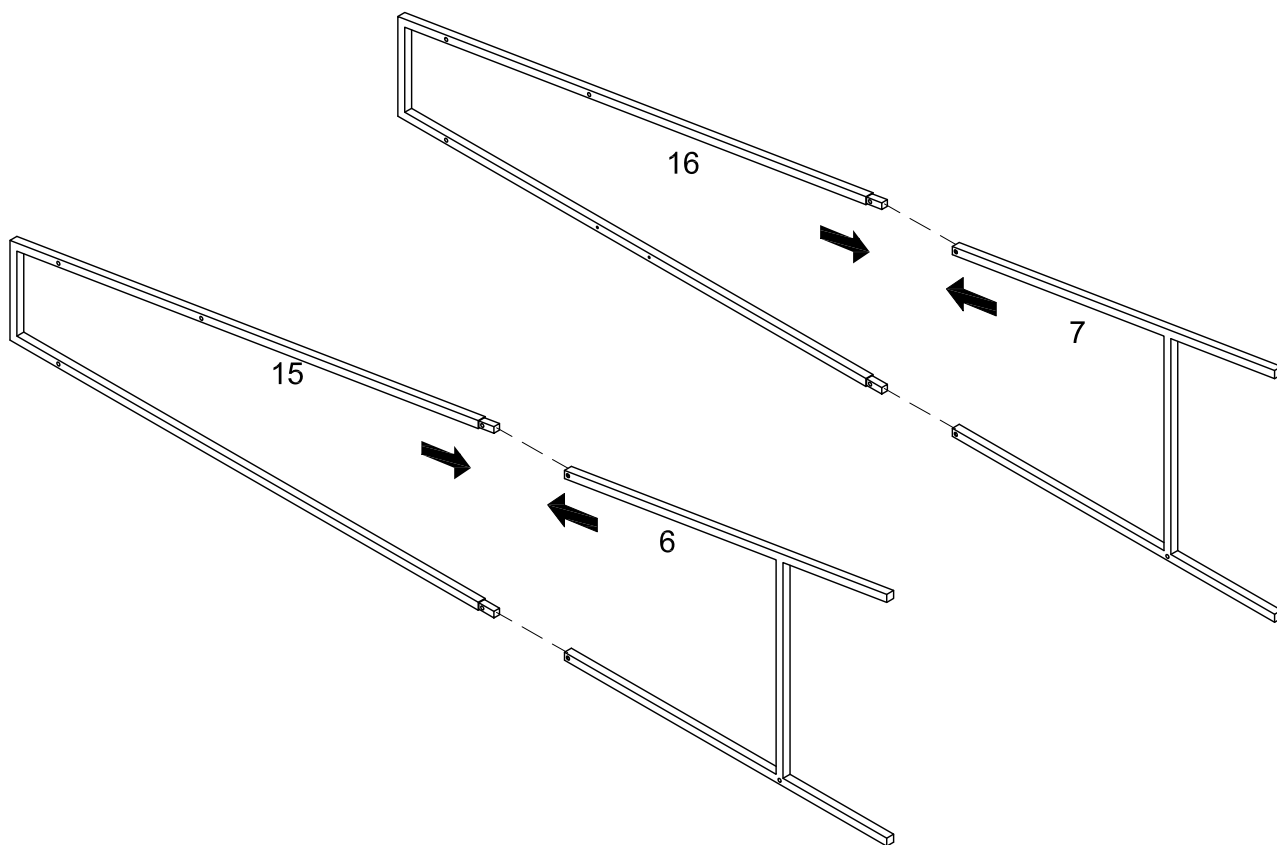
Attach part (5) to part (4) using bolt (B) with hex key (C).

# Step 7



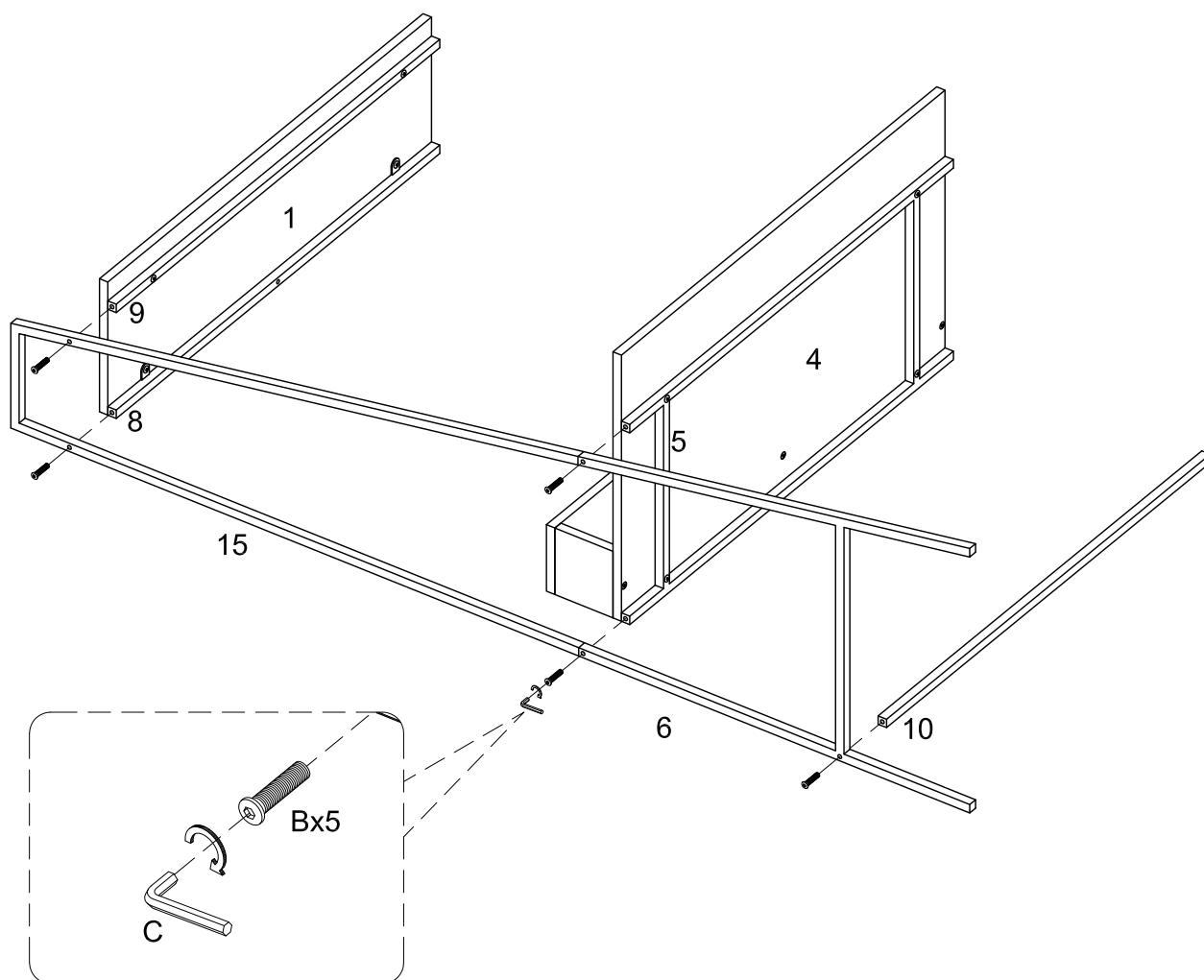
Attach part (8,9) to part (1), part (9,3) to part (2) using bolt (A,B) with hex key (C).

# Step 8



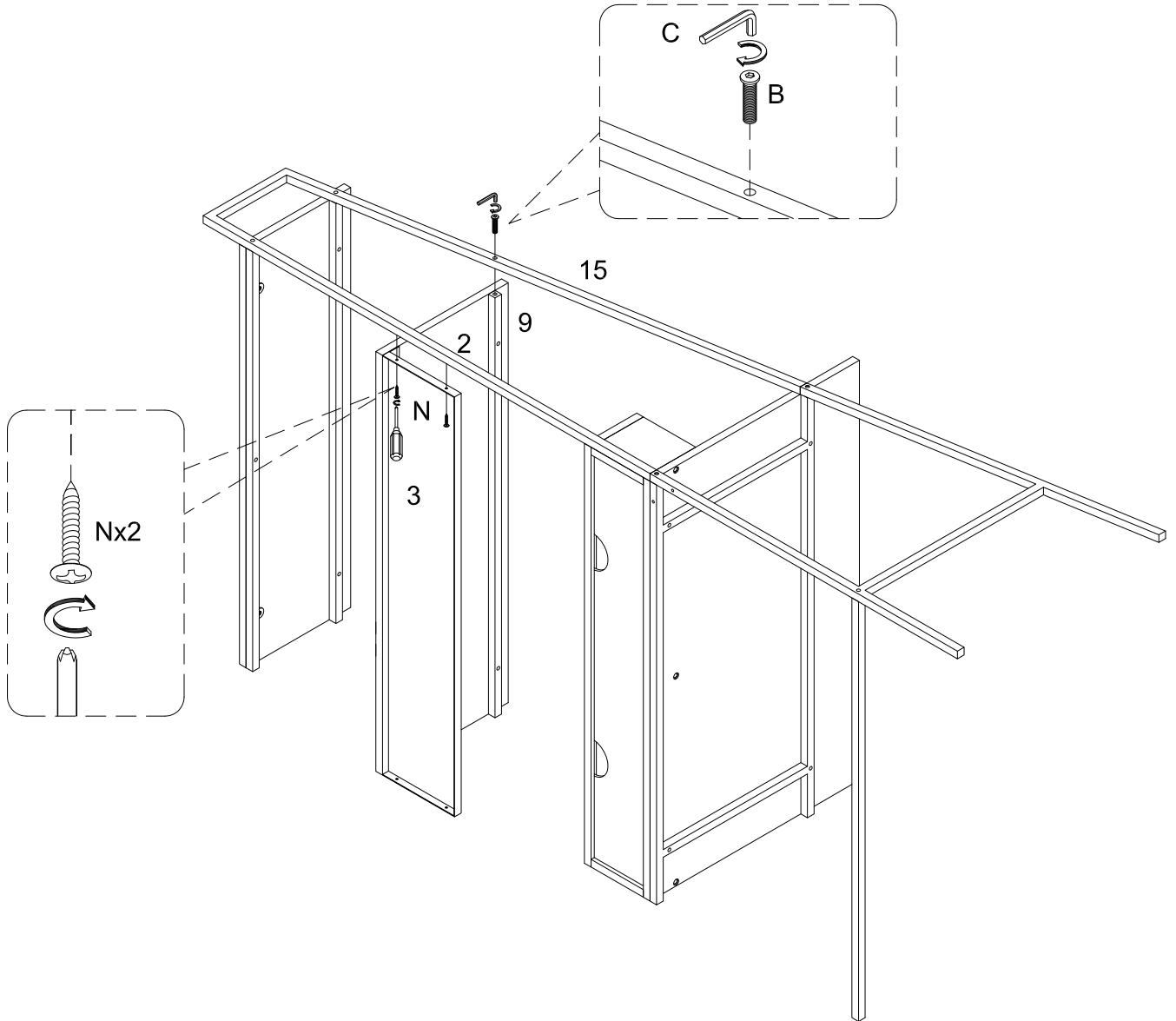
Attach part (15) to part (6), part (16) to part (7).

# Step 9



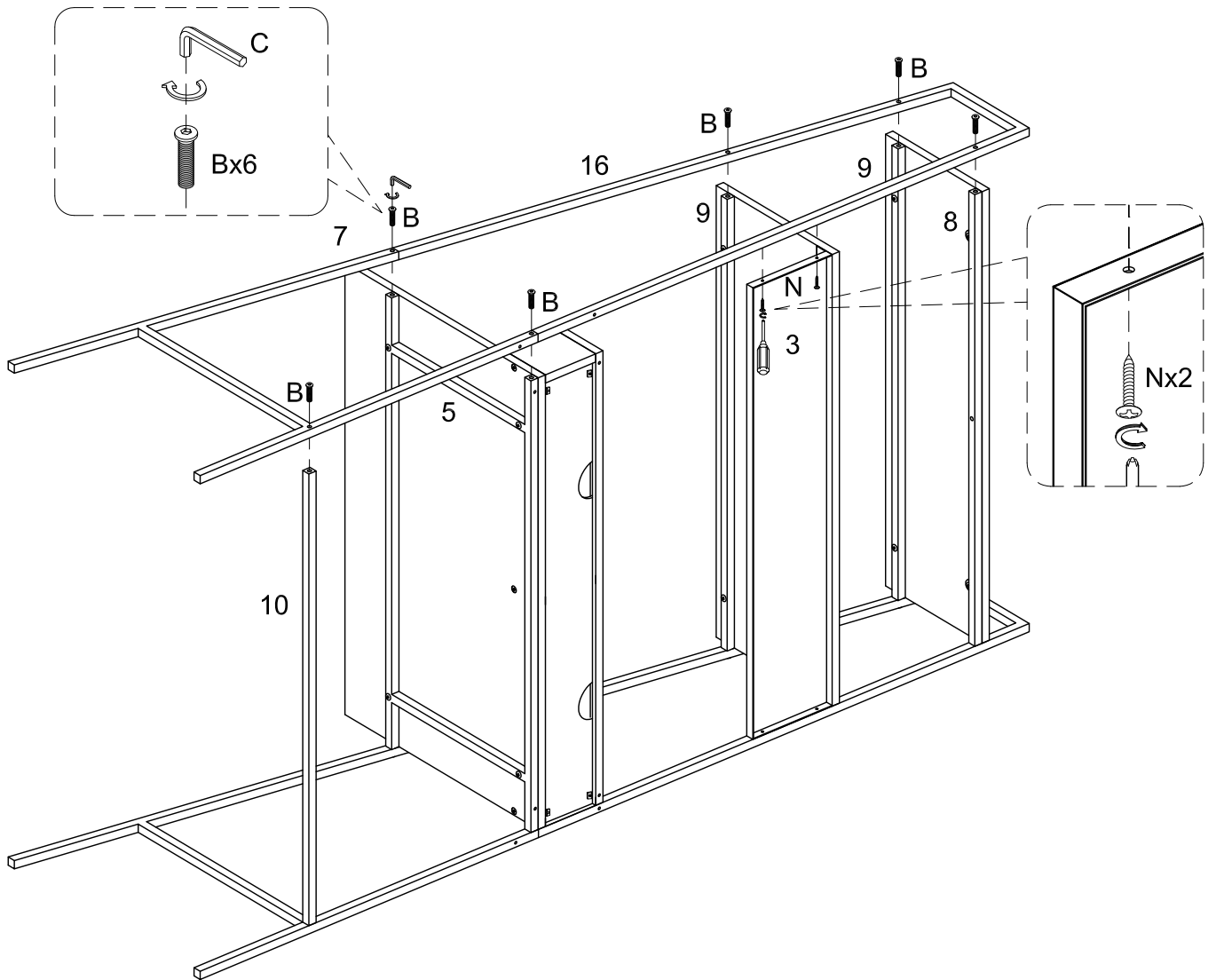
Attach part (15,6) to part (1,9,8), part (5,4), part 10 using bolt (B) with hex key (C).

# Step 10



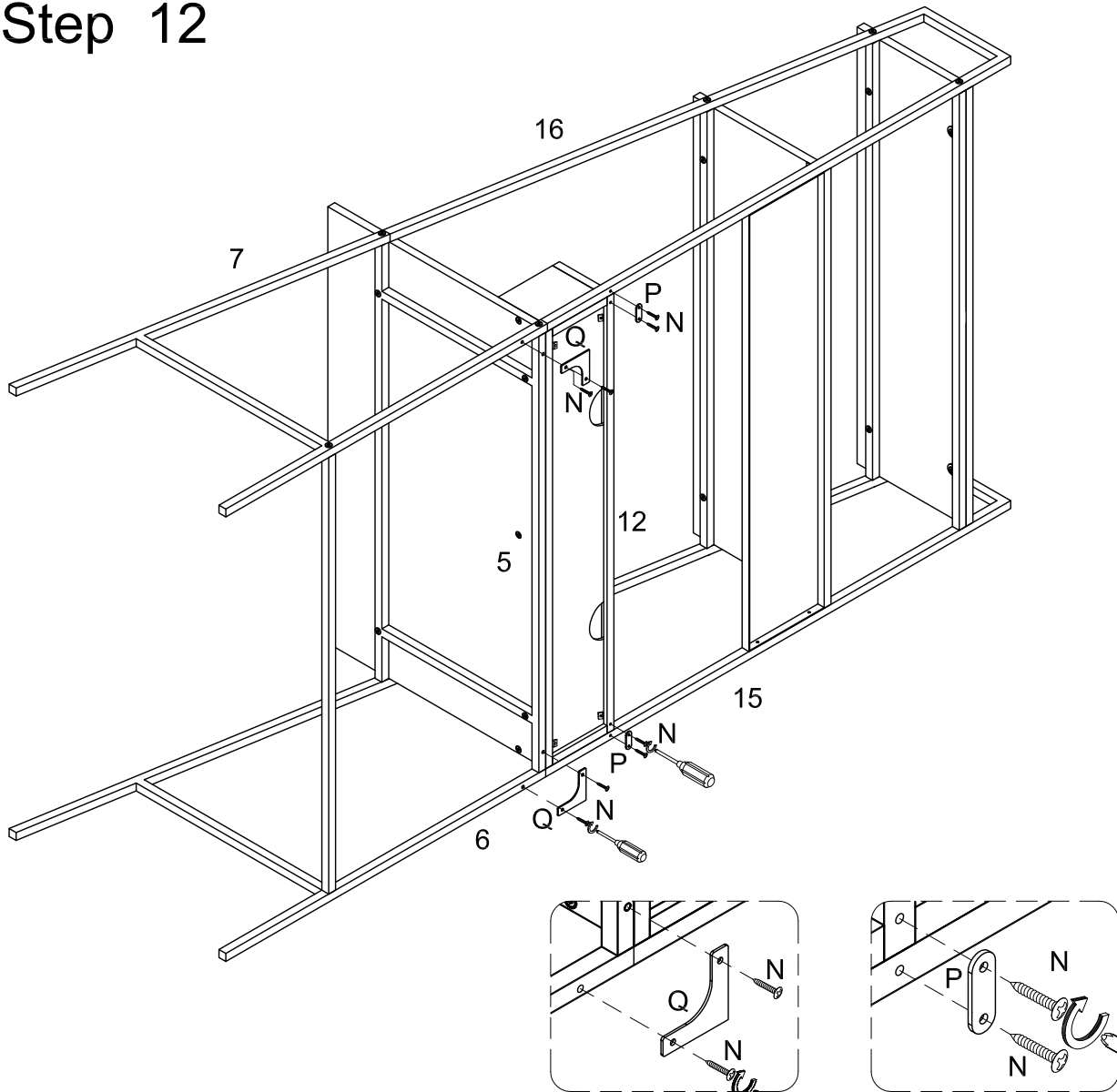
Attach part (15) to part (3,2,9) using bolt (B) and screw (N) with hex key (C) and screwdriver.

# Step 11



Attach part (16,7) to part (9,8,5,3,10) using bolt (B) and screw (N) with hex key (C) and screwdriver.

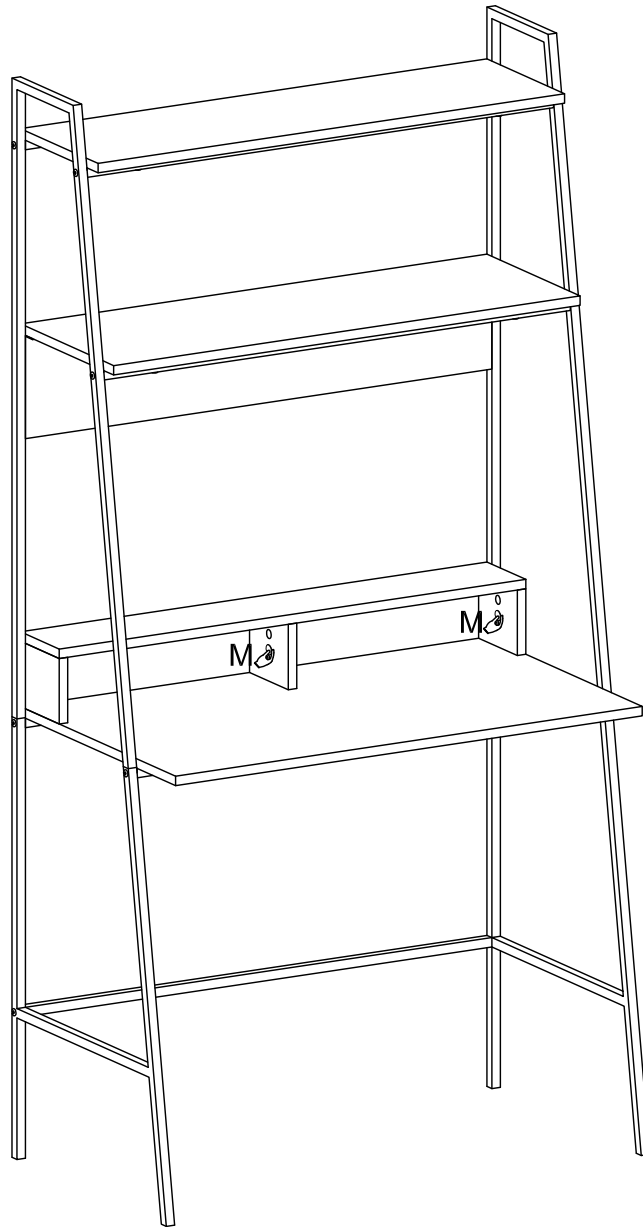
# Step 12



Attach plate (P) and corner plate (Q) to part (12,5) using screw (N) with screwdriver.

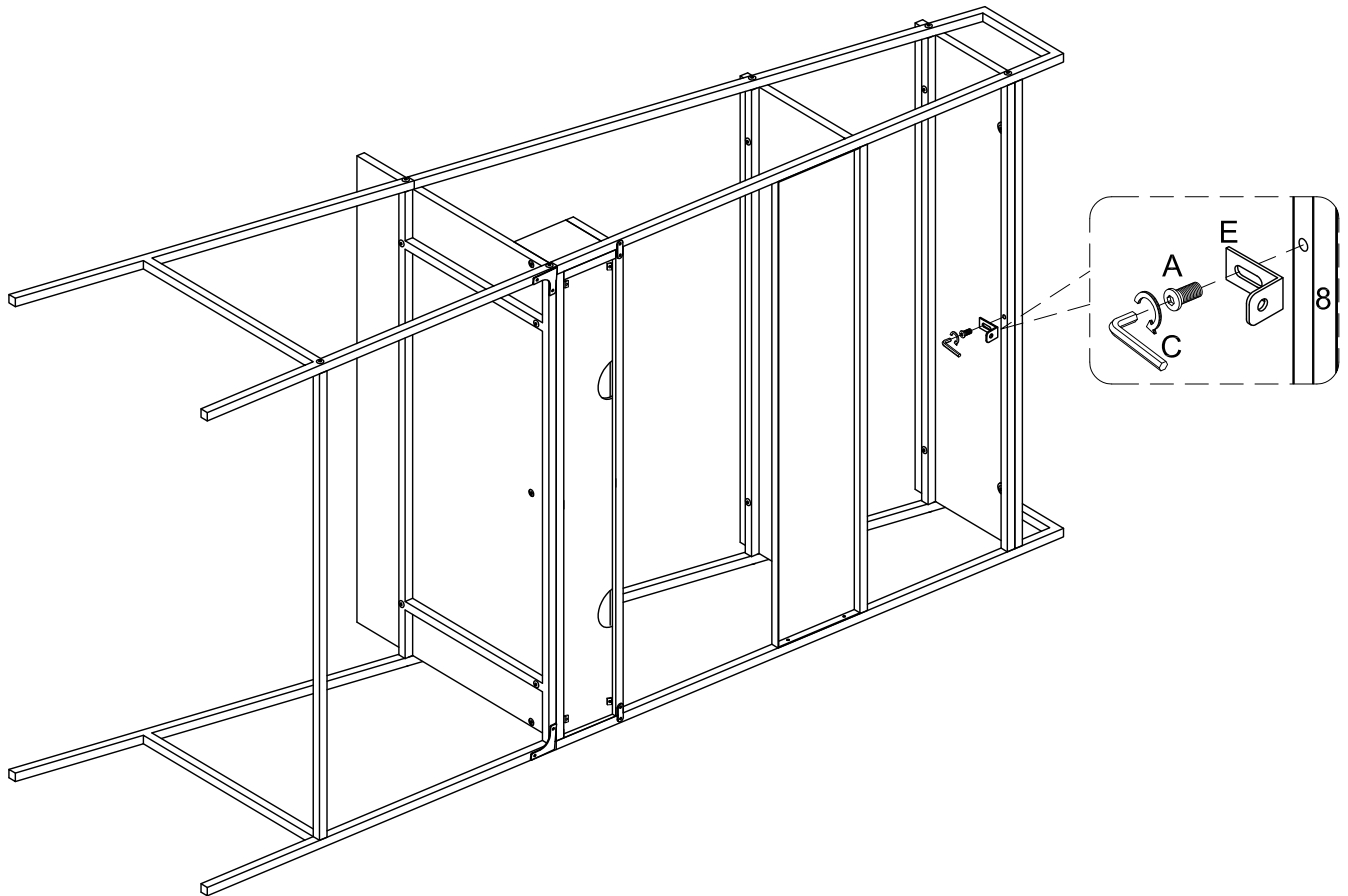


# Step 13



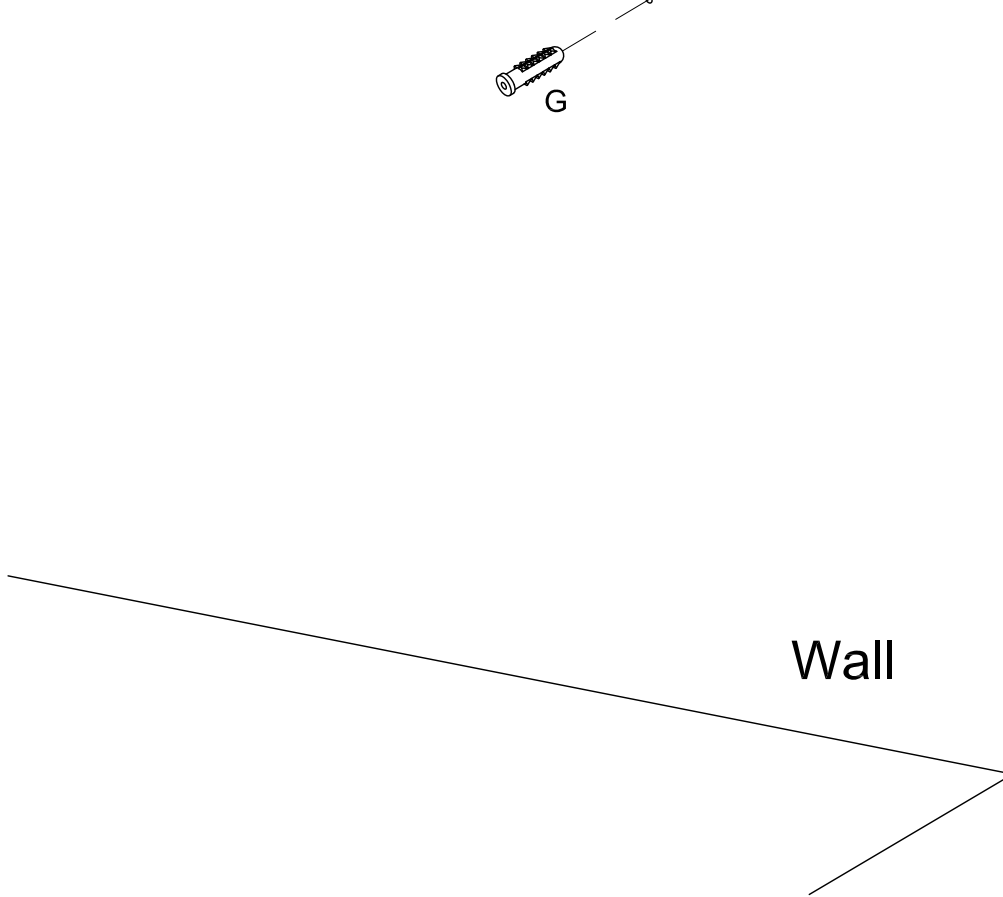
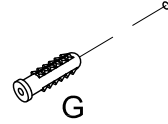
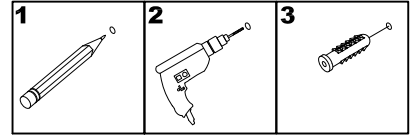
Place sticker (M) over holes as per diagram.

# Step 14



Attach bracket (E) to part (8) using bolt (A) with hex key (C).

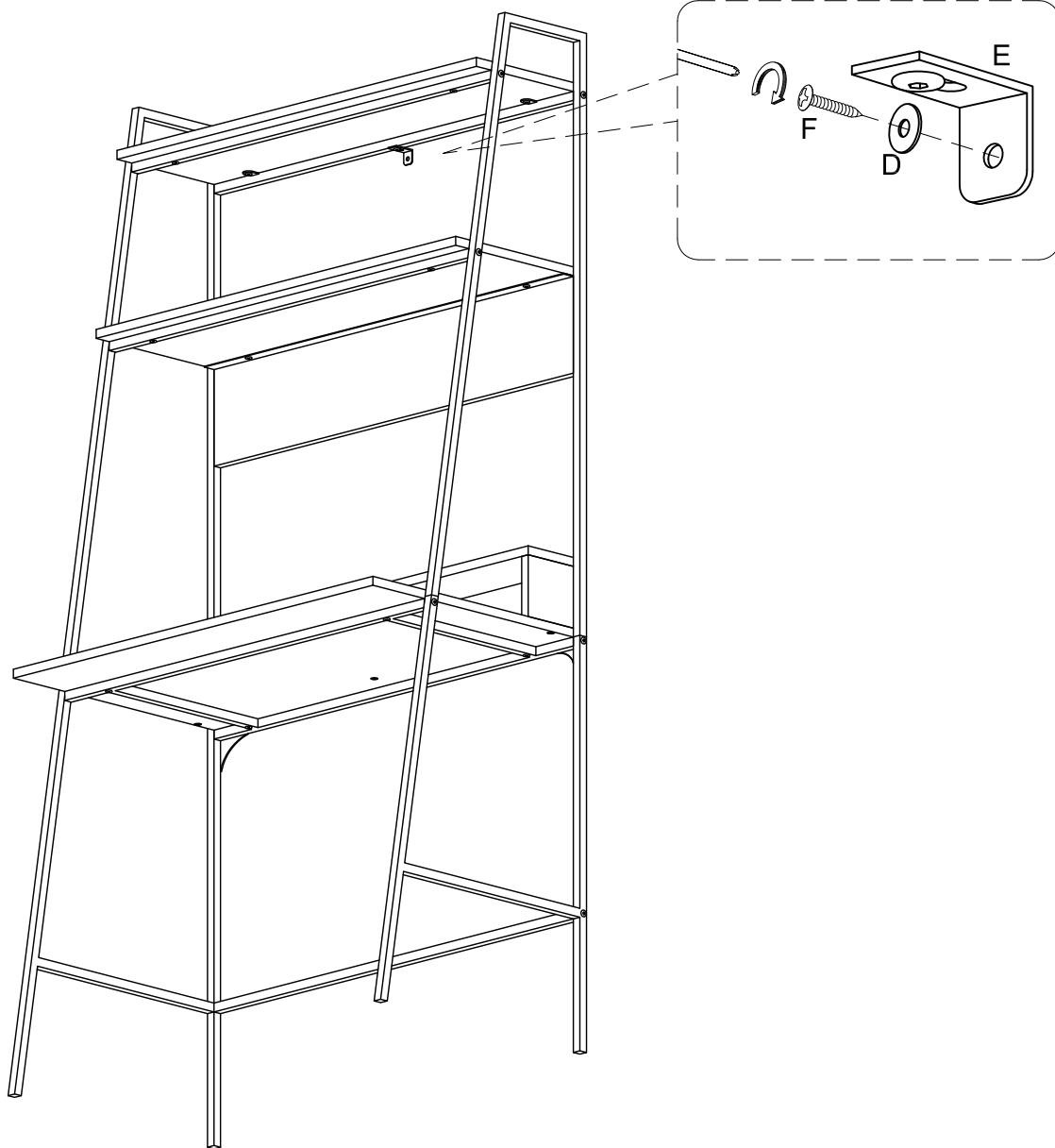
# Step 15



1. Measure height for bracket in desired location.
2. Drill hole using 6mm size bit.
3. Insert wall anchor (G) into wall at desired location.

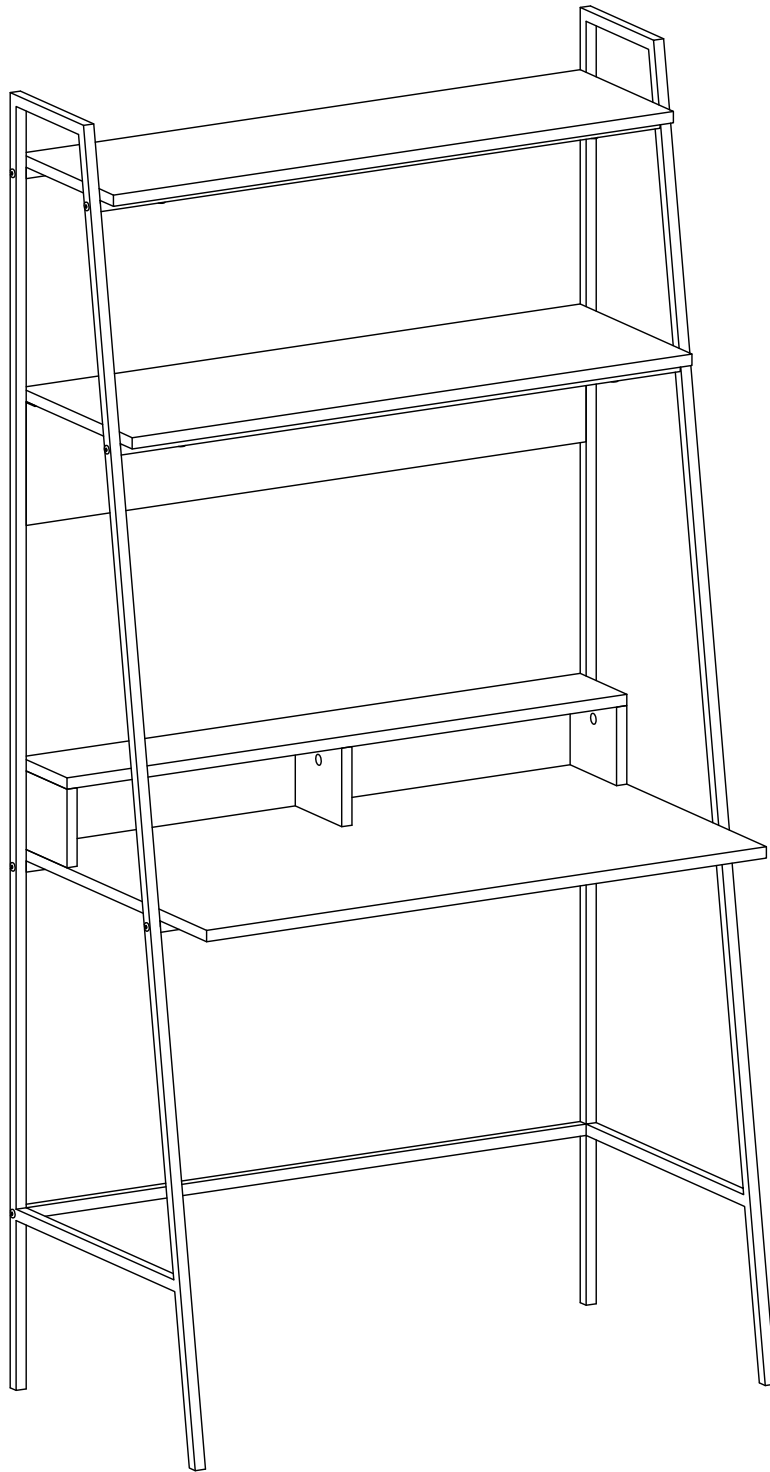
\*Wall anchor included for drywall mounting. Use correct wall anchor and hardware for your wall material.

# Step 16



Secure furniture to wall anchor (G) in wall using washer (D) and screw (F) with screwdriver.

# Step 17



Final Assembly