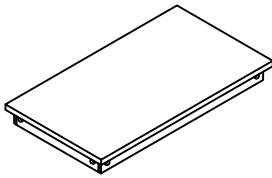
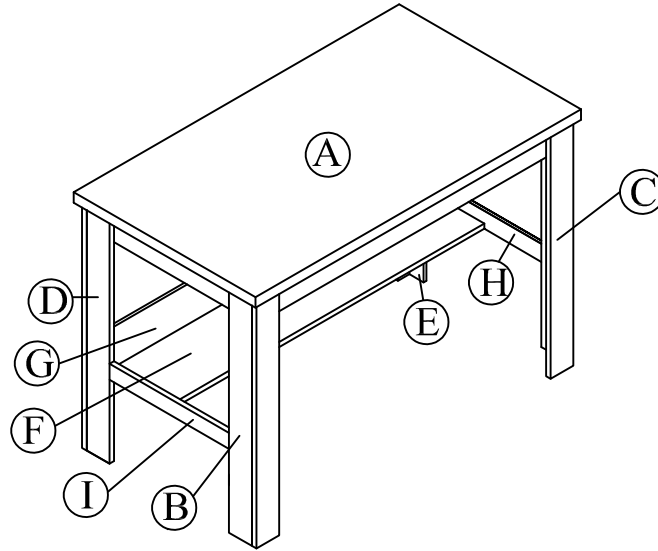


**ASSEMBLY INSTRUCTIONS / NOTICE DE MONTAGE / INSTRUCCIONES DE MONTAJE**

ITEM NO. / ARTICLE NO. / ARTICULO NO : ITEM #J008-910-002 / 003 / 004

DESCRIPTION / DESCRIPCIÓN : DESK / BUREAU / MESA DE TOCADOR



**A**

RJ008-910-002-TOP  
RJ008-910-003-TOP  
RJ008-910-004-TOP  
x1 Table Top  
x1 Dessus de table  
x1 Tablero de mesa



**B**

RJ008-910-002-LEFL  
RJ008-910-003-LEFL  
RJ008-910-004-LEFL  
x1 Left front leg  
x1 Patte avant gauche  
x1 Pata frontal izquierda



**C**

RJ008-910-002-LEFR  
RJ008-910-003-LEFR  
RJ008-910-004-LEFR  
x1 Right front leg  
x1 Patte avant droite  
x1 Pata frontal derecha



**D**

RJ008-910-002-LEBL  
RJ008-910-003-LEBL  
RJ008-910-004-LEBL  
x1 Left back leg  
x1 Patte arrière gauche  
x1 Pata trasera izquierda



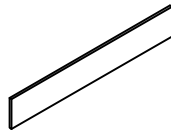
**E**

RJ008-910-002-LEBR  
RJ008-910-003-LEBR  
RJ008-910-004-LEBR  
x1 Right back leg  
x1 Patte arrière droite  
x1 Pata trasera derecha



**F**

RJ008-910-002-SHEL  
RJ008-910-003-SHEL  
RJ008-910-004-SHEL  
x1 Shelf  
x1 Étagère  
x1 Repisa



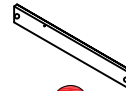
**G**

RJ008-910-002-PANE  
RJ008-910-003-PANE  
RJ008-910-004-PANE  
x1 Back Panel  
x1 Panneau arrière  
x1 Panel posterior



**H**

RJ008-910-002-SULL  
RJ008-910-003-SULL  
RJ008-910-004-SULL  
x1 Left Leg Support  
x1 Support de jambe gauche  
x1 Soporte de pierna izquierda



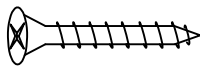
**I**

RJ008-910-002-SULR  
RJ008-910-003-SULR  
RJ008-910-004-SULR  
x1 Right Leg Support  
x1 Support de jambe droite  
x1 Soporte de pierna derecha



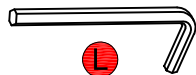
**J**

RJ008-910-002-HWKI  
RJ008-910-003-HWKI  
RJ008-910-004-HWKI  
x10 Plastic Cap  
x10 Capuchon en plastique  
x10 Tapa de plástico



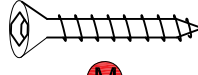
**K**

RJ008-910-002-HWKI  
RJ008-910-003-HWKI  
RJ008-910-004-HWKI  
x16 Screw M4 x 28mm  
x16 Vis M4 x 28mm  
x16 Tornillo M4 x 28mm



**L**

RJ008-910-002-HWKI  
RJ008-910-003-HWKI  
RJ008-910-004-HWKI  
x1 Allen Wrench M4 X 65mm  
x1 Clé hexagonale M4 X 65mm  
x1 Llave Allen M4 X 65mm



**M**

RJ008-910-002-HWKI  
RJ008-910-003-HWKI  
RJ008-910-004-HWKI  
x3 JCBC W x 40mm



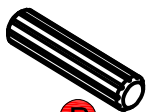
**N**

RJ008-910-002-HWKI  
RJ008-910-003-HWKI  
RJ008-910-004-HWKI  
x18 Bolt  
x18 Boulon  
x18 Perno



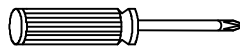
**O**

RJ008-910-002-HWKI  
RJ008-910-003-HWKI  
RJ008-910-004-HWKI  
x18 Minifix Housing



**P**

RJ008-910-002-HWKI  
RJ008-910-003-HWKI  
RJ008-910-004-HWKI  
x10 Dowel  
x10 Goujon en bois  
x10 Tarugo de madera



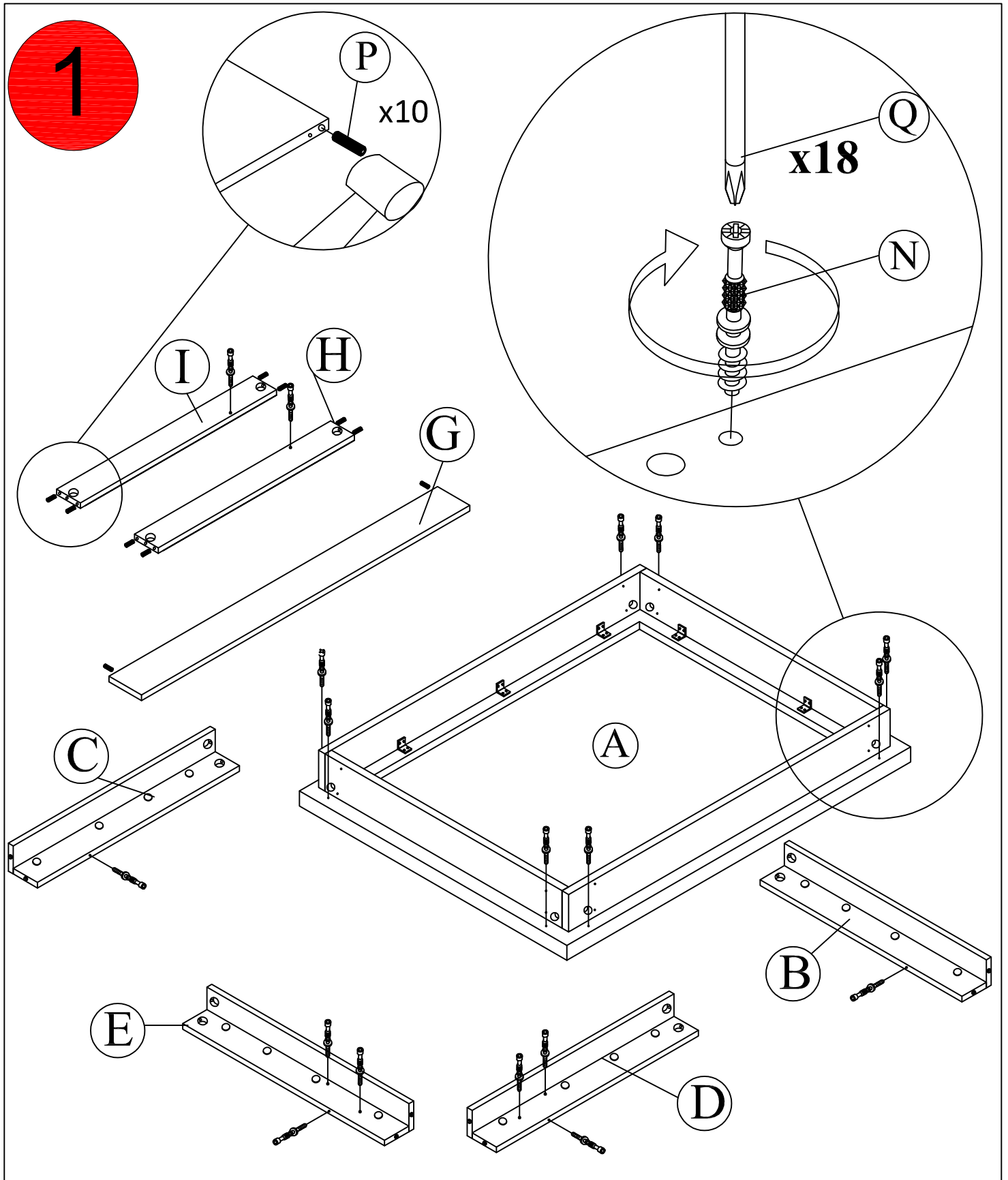
**Q**

x1 Philips Head Screwdriver  
(Not Provided)  
x1 Tournevis Phillips  
(Outils non fournis)  
x1 Destornillador de estrella  
(No están incluidas las herramientas)

**ASSEMBLY INSTRUCTIONS / NOTICE DE MONTAGE / INSTRUCCIONES DE MONTAJE**

ITEM NO. / ARTICLE NO. / ARTICULO NO :ITEM #J008-910-002 / 003 / 004

DESCRIPTION / DESCRIPCIÓN : DESK / BUREAU / MESA DE TOCADOR



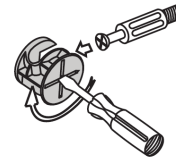
**ASSEMBLY INSTRUCTIONS / NOTICE DE MONTAGE / INSTRUCCIONES DE MONTAJE**

ITEM NO. / ARTICLE NO. / ARTICULO NO :ITEM #J008-910-002 / 003 / 004

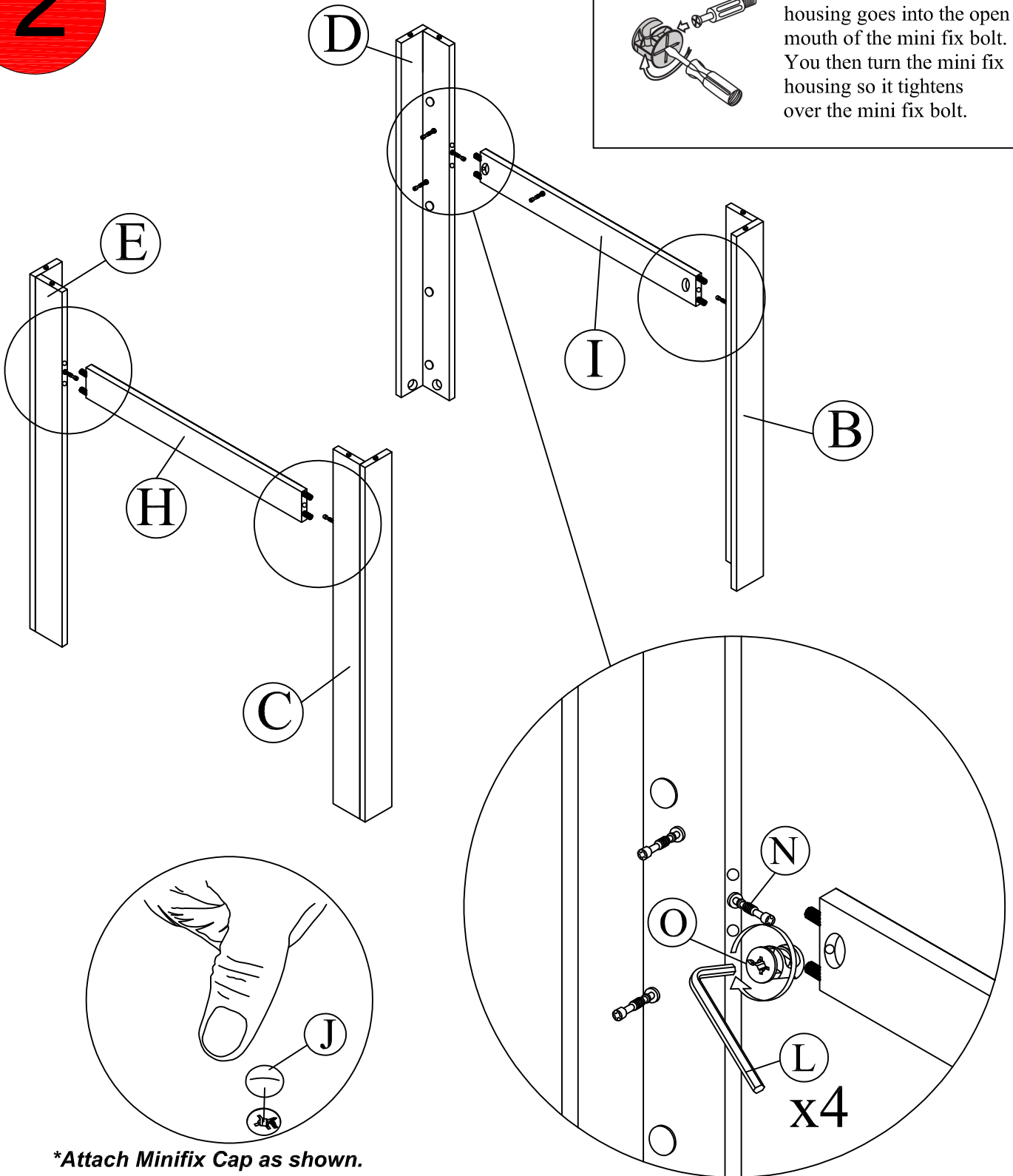
DESCRIPTION / DESCRIPCIÓN : DESK / BUREAU / MESA DE TOCADOR

2

This is how a mini fix works...

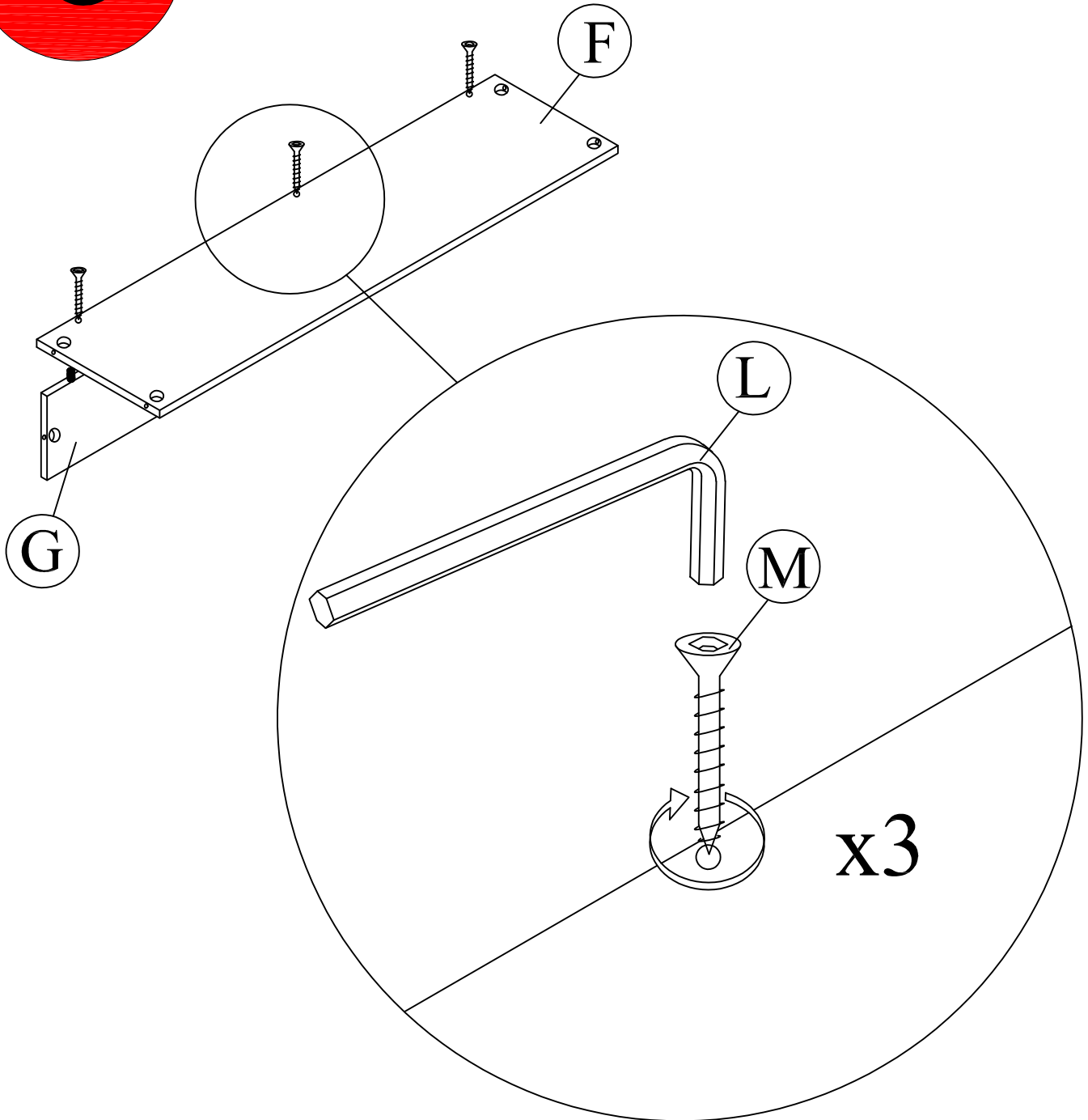


The head of the mini fix housing goes into the open mouth of the mini fix bolt. You then turn the mini fix housing so it tightens over the mini fix bolt.



*\*Attach Minifix Cap as shown.*

**3**



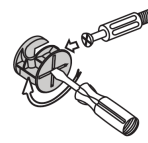
**ASSEMBLY INSTRUCTIONS / NOTICE DE MONTAGE / INSTRUCCIONES DE MONTAJE**

ITEM NO. / ARTICLE NO. / ARTICULO NO :ITEM #J008-910-002 / 003 / 004

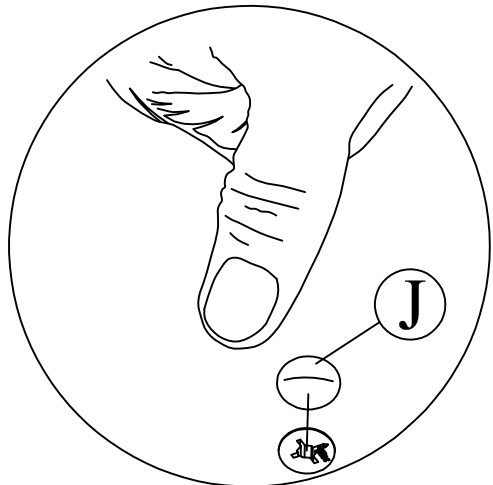
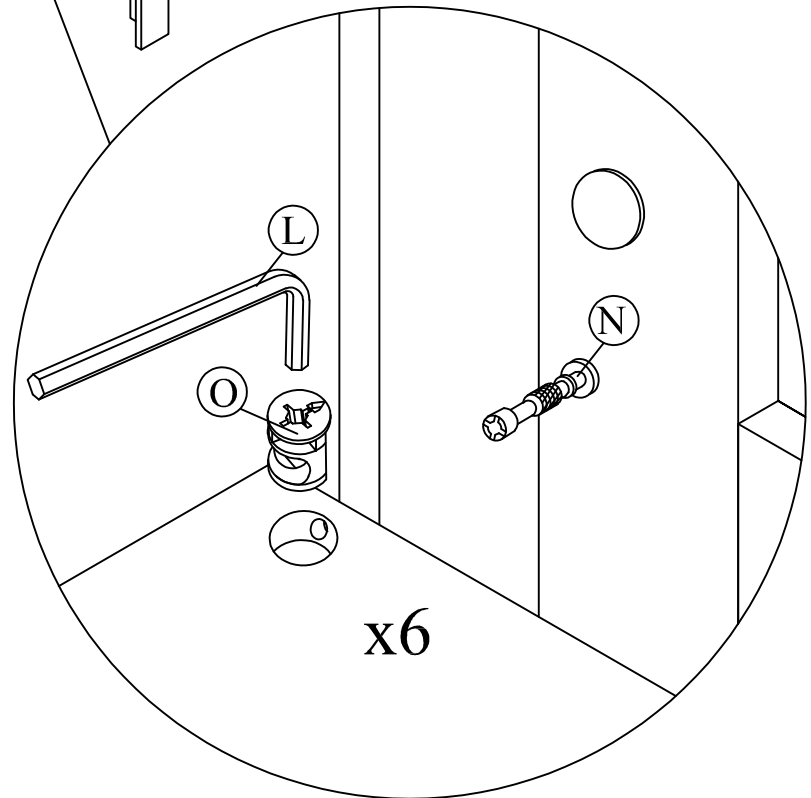
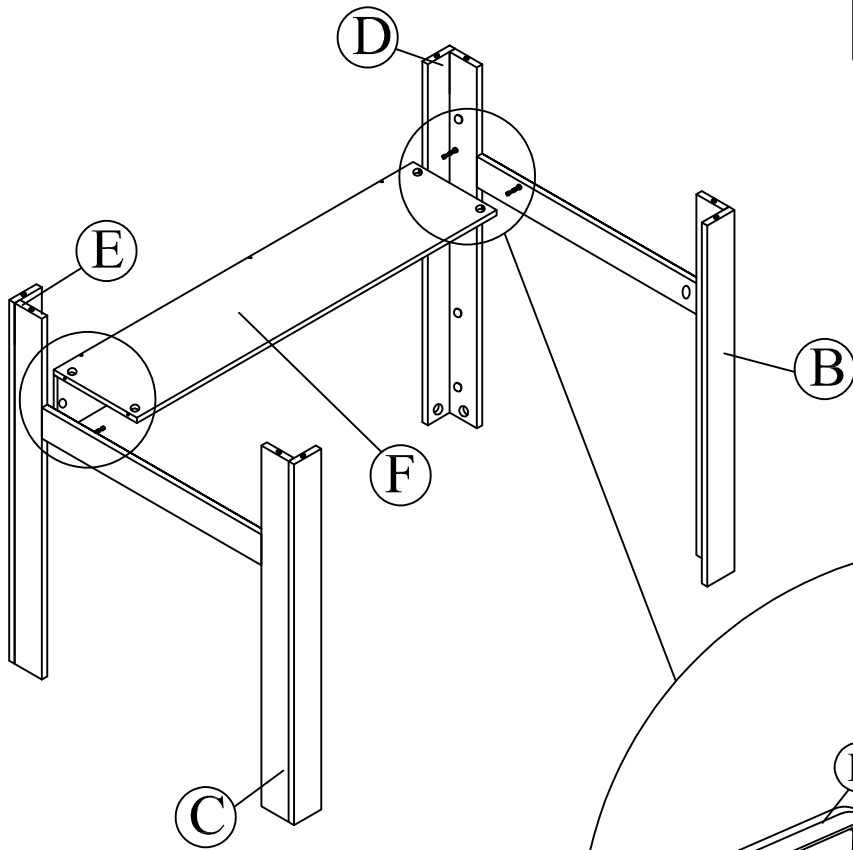
DESCRIPTION / DESCRIPCIÓN : DESK / BUREAU / MESA DE TOCADOR

**4**

This is how a mini fix works...



The head of the mini fix housing goes into the open mouth of the mini fix bolt. You then turn the mini fix housing so it tightens over the mini fix bolt.



**\*Attach Minifix Cap as shown.**

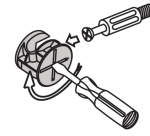
**ASSEMBLY INSTRUCTIONS / NOTICE DE MONTAGE / INSTRUCCIONES DE MONTAJE**

ITEM NO. / ARTICLE NO. / ARTICULO NO :ITEM #J008-910-002 / 003 / 004

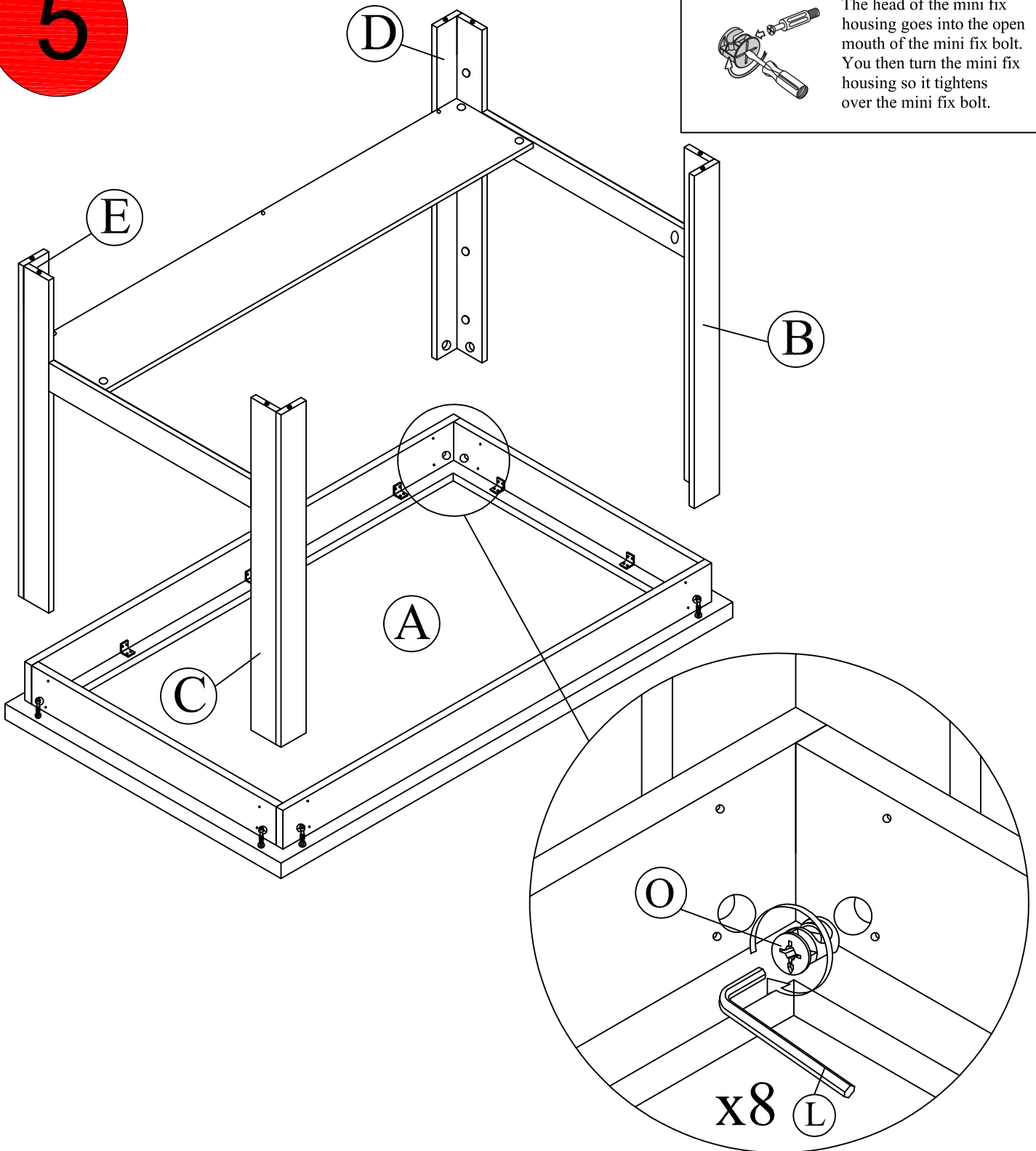
DESCRIPTION / DESCRIPCIÓN : DESK / BUREAU / MESA DE TOCADOR

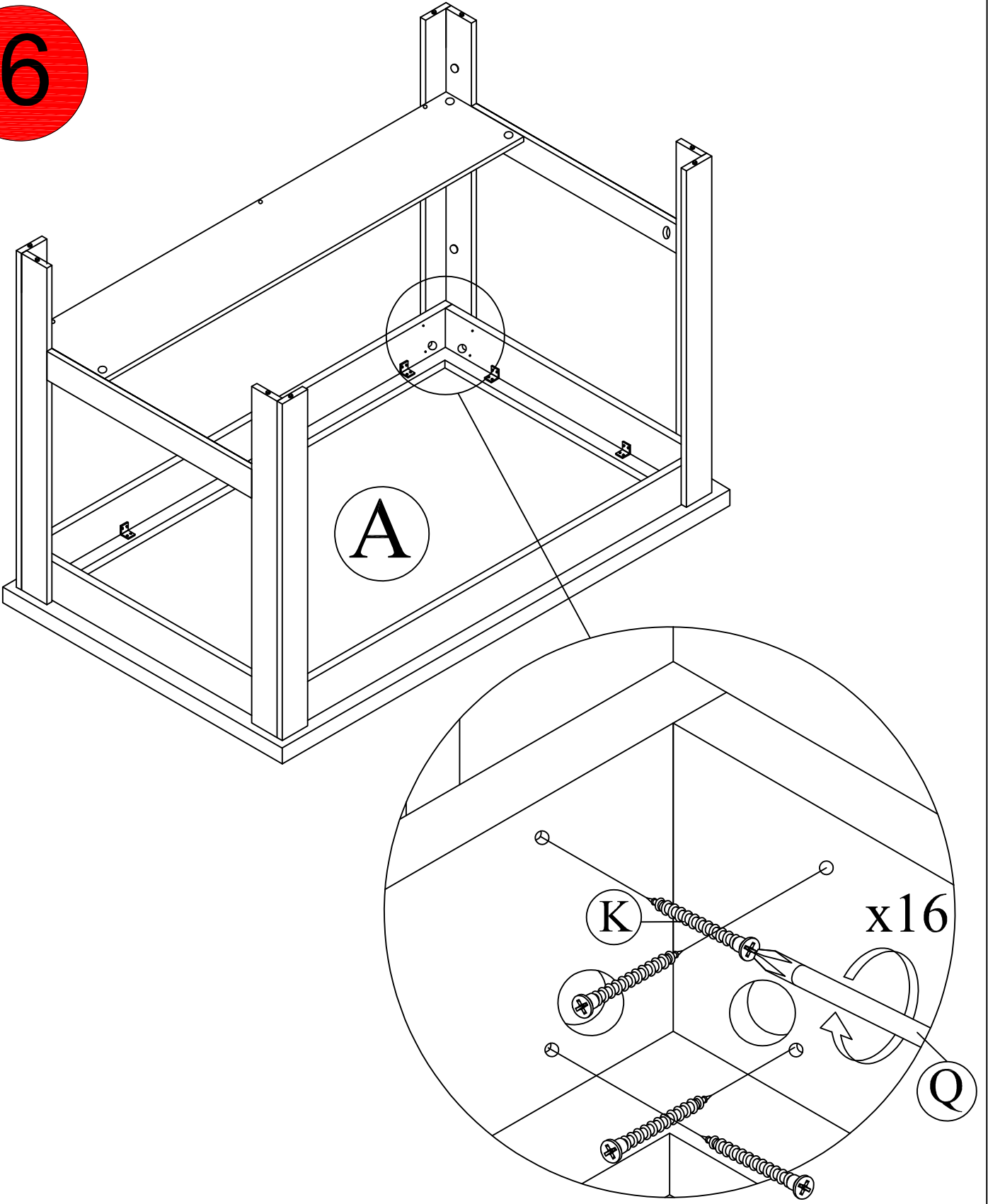
**5**

This is how a mini fix works...



The head of the mini fix housing goes into the open mouth of the mini fix bolt. You then turn the mini fix housing so it tightens over the mini fix bolt.





**ASSEMBLY INSTRUCTIONS / NOTICE DE MONTAGE / INSTRUCCIONES DE MONTAJE**

ITEM NO. / ARTICLE NO. / ARTICULO NO :ITEM #J008-910-002 / 003 / 004

DESCRIPTION / DESCRIPCIÓN : DESK / BUREAU / MESA DE TOCADOR

7

