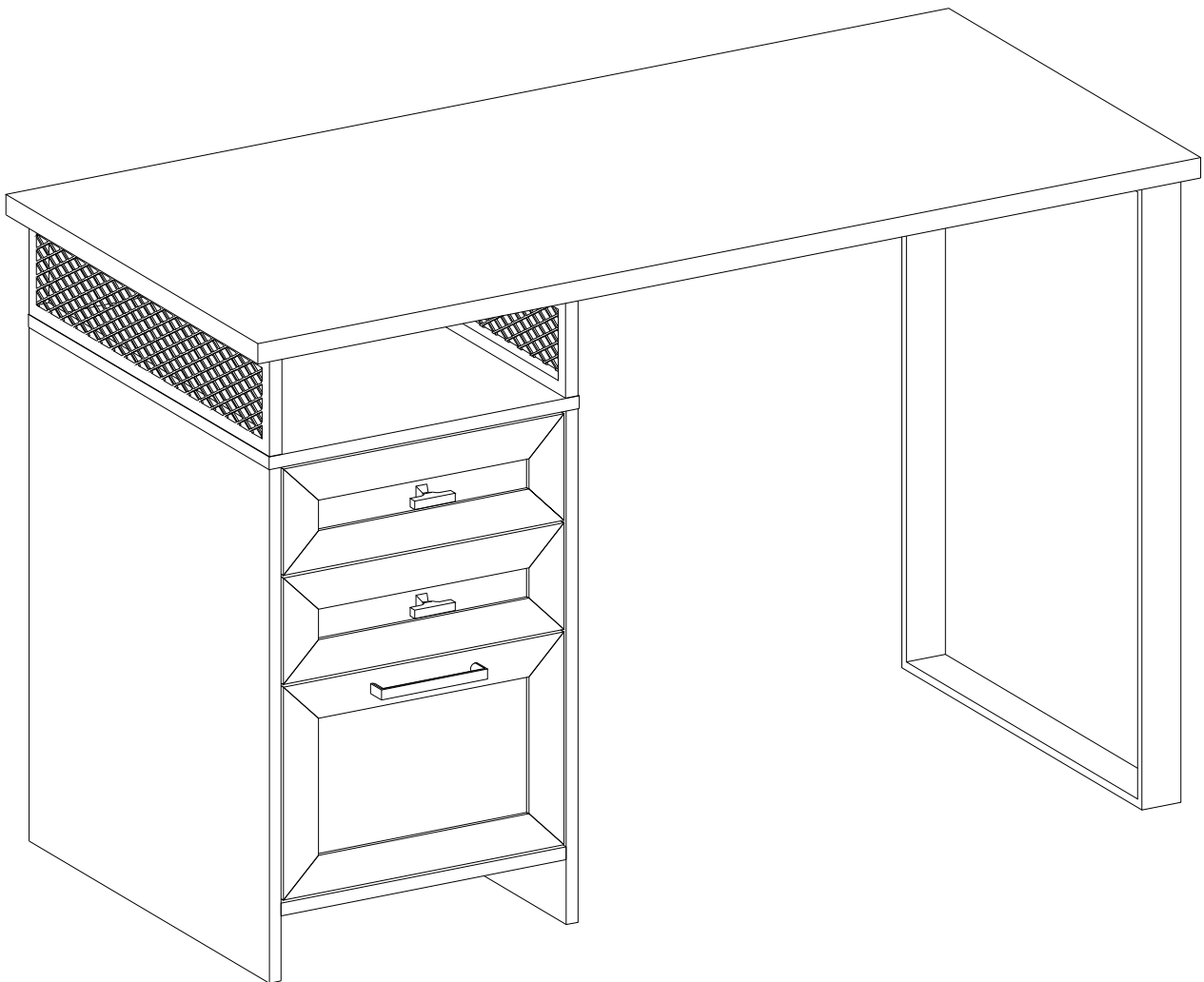


Item # : D48ANT3DR Assembly Instructions



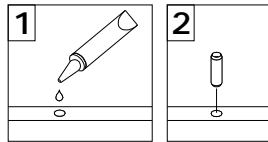
Walker Edison®

Please visit our website for the most current instructions, assembly tips, report damage, or request parts. www.walkerediton.com

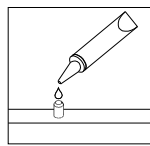
Revised 27/05/2020(C)

General Assembly Guidelines

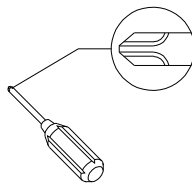
- I. Ensure that all parts and hardware are available before beginning assembly.
- II. Follow each step carefully to ensure the proper assembly of this product.
- III. Two people are recommended for ease in the assembly of this product.
- IV. The three main types of hardware used to assemble this product are: wood dowels, screws and bolts.
- V. The provided glue is to secure wood dowels in place. When first inserting dowels, locate the appropriate hole for the dowel, place a small amount of glue in the hole and insert the dowel. Wipe away excess glue immediately.



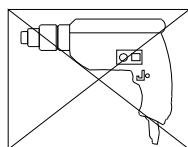
In future assembly steps when dowels are necessary to attach assembly parts together, place a small amount of glue on the end of the dowel before attaching parts together. Wipe away excess glue immediately.



- VI. A Phillips head screwdriver is required for the assembly of this product .

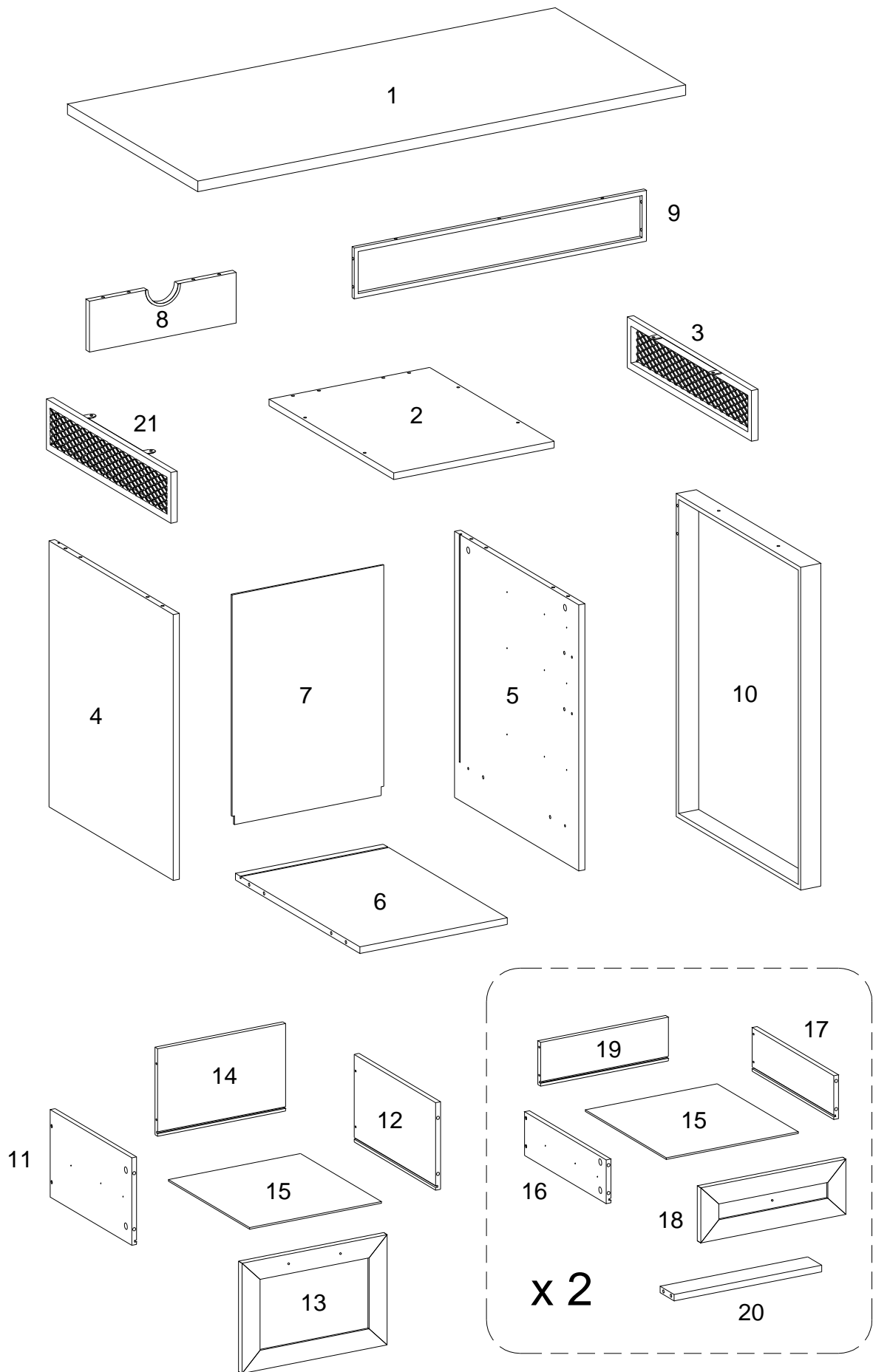


- VII. Power tools should not be used to assemble this product.






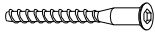
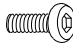


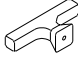

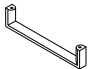

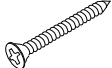

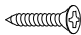
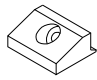
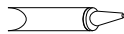



- VIII. Drill may be needed for securing product to wall.

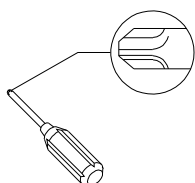
Parts List



Hardware List

A		Ø8x30mm	Wooden dowel	16	pcs
B		Ø6x35mm	Cam bolt	26	pcs
C		Ø15x11mm	Cam lock	14	pcs
D		Ø15x9mm	Cam lock	12	pcs
E		Ø30mm	Sticker	26	pcs
F		Ø6x50mm	Screw	2	pcs
G		M6x12mm	Bolt	4	pcs
H		M6x22mm	Bolt	13	pcs
J		M 4	Hex key	1	pc
K			Handle	2	pcs
L		Ø4x12mm	Handle Bolt	2	pcs
M			Handle	1	pc
N		Ø4x19mm	Handle Bolt	2	pcs
P		Ø4x32mm	Screw	12	pcs
Q		Ø3x12mm	Screw	36	pcs
R		Ø3x17mm	Screw	4	pcs
S			Plastic wedge	4	pcs
T			Glue tube	1	pc
U			Drawer slider	3	sets

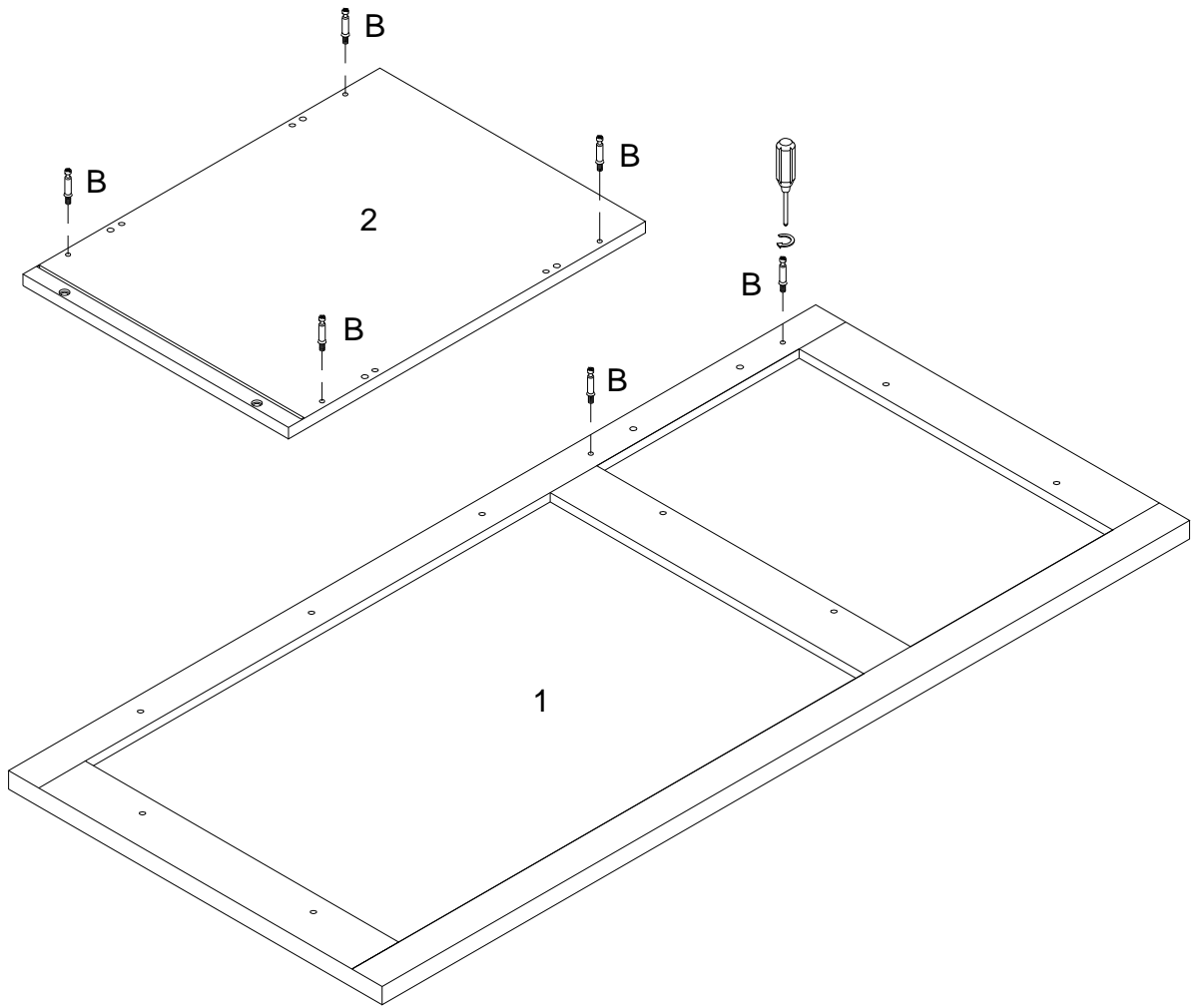
* Note: This piece comes preassembled for shipping purposes and must be disassembled to complete the desk assembly.



Philips head screwdriver required for assembly
(not included)

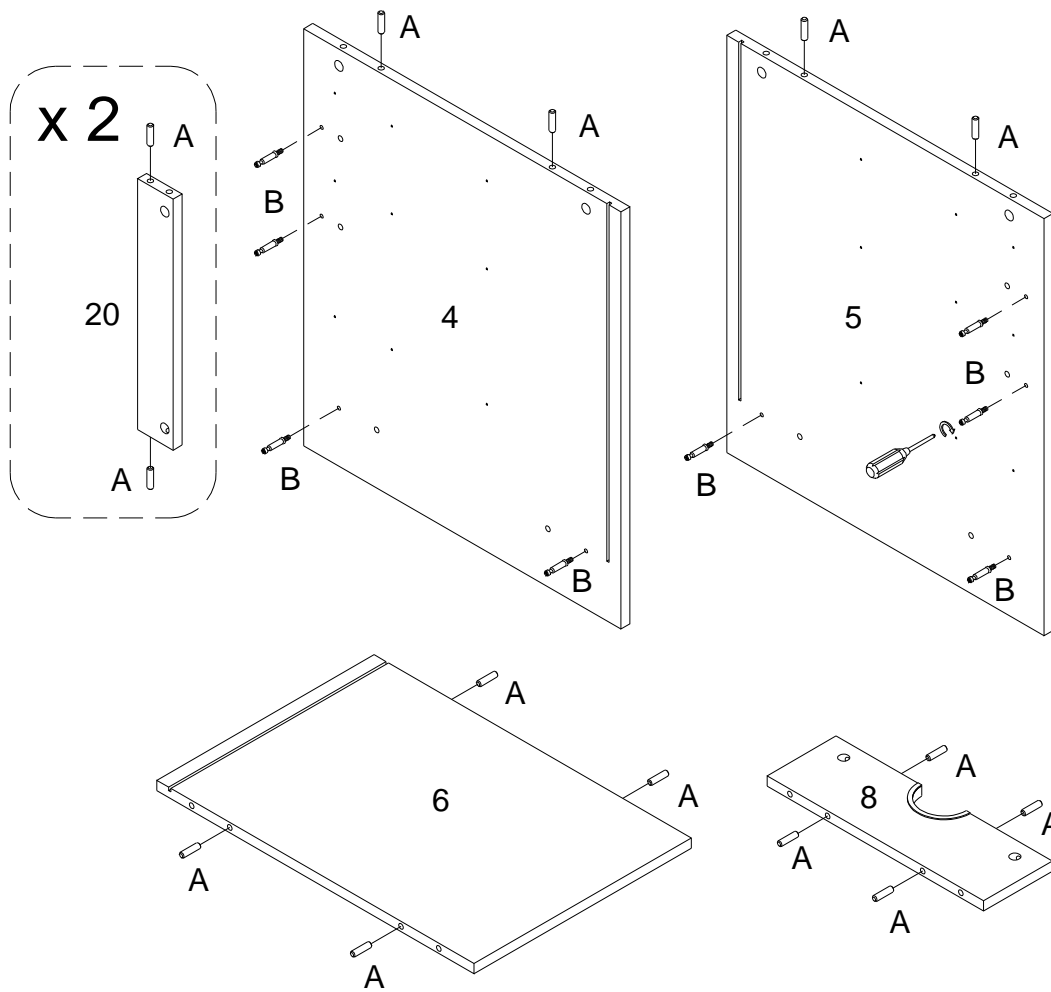
*The hardware quantities listed above are required for proper assembly.
Some extra hardware may also have been included.*

Step 1



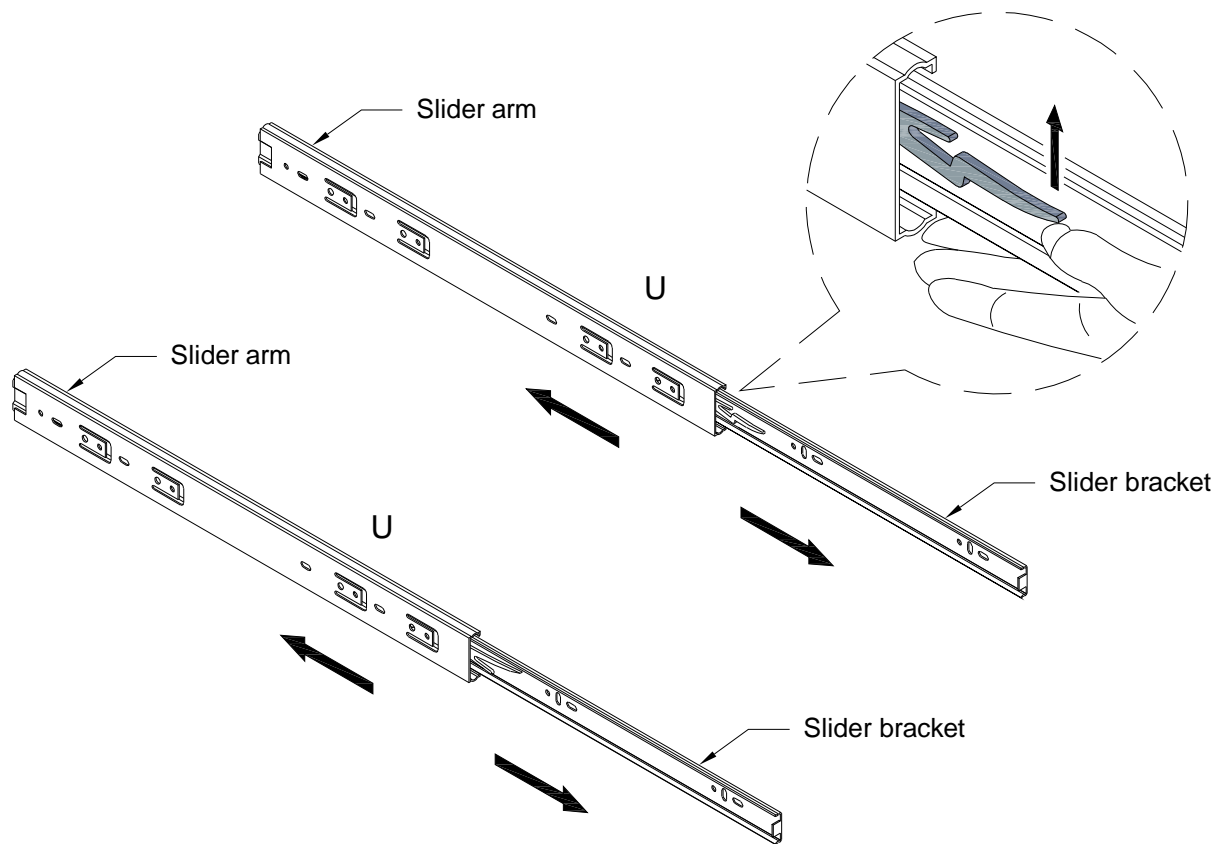
Secure cam bolt (B) into parts (1,2) with Philips head screwdriver as per diagram.

Step 2



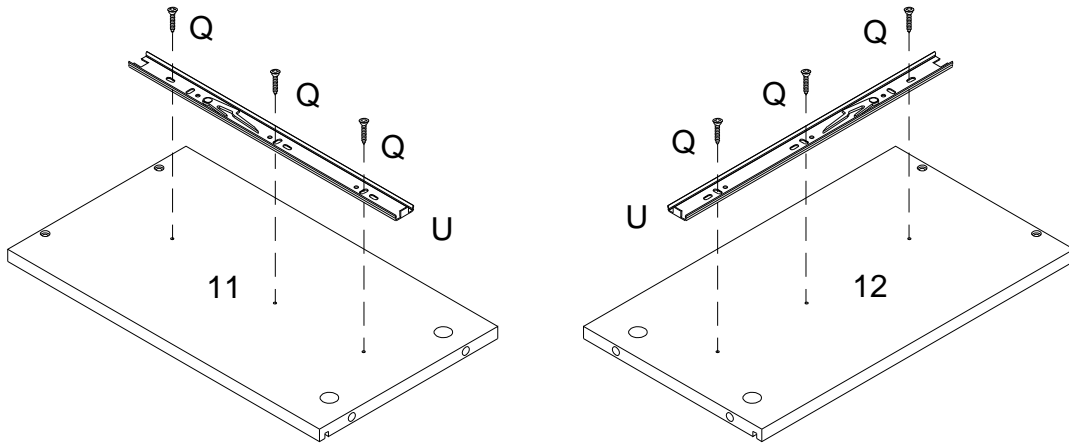
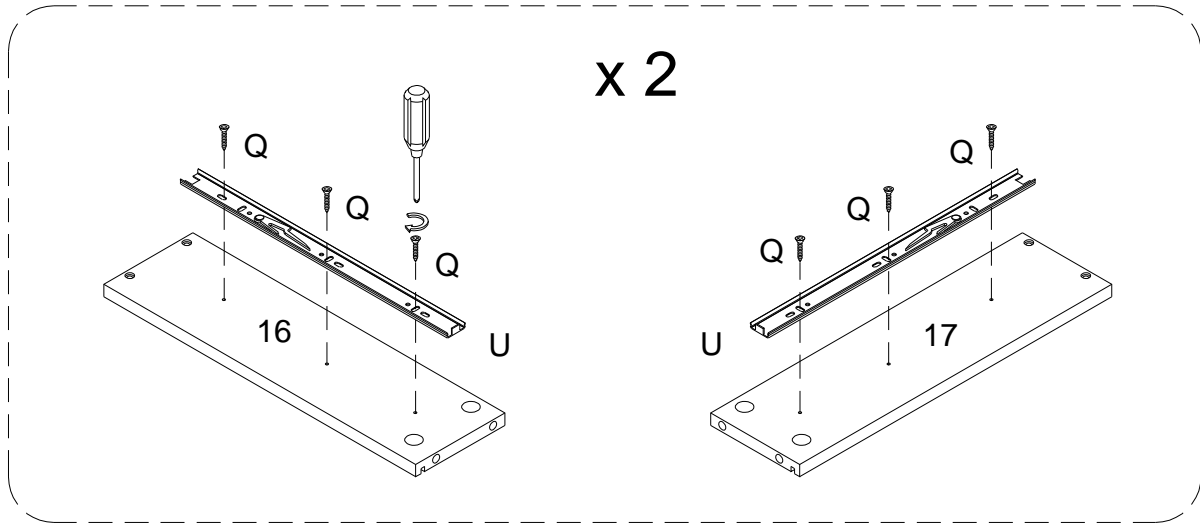
Insert wooden dowel (A) into parts (4,5,6,8,20) , secure Cam bolt (B) into parts (4,5) with Philips head screwdriver as per diagram.

Step 3



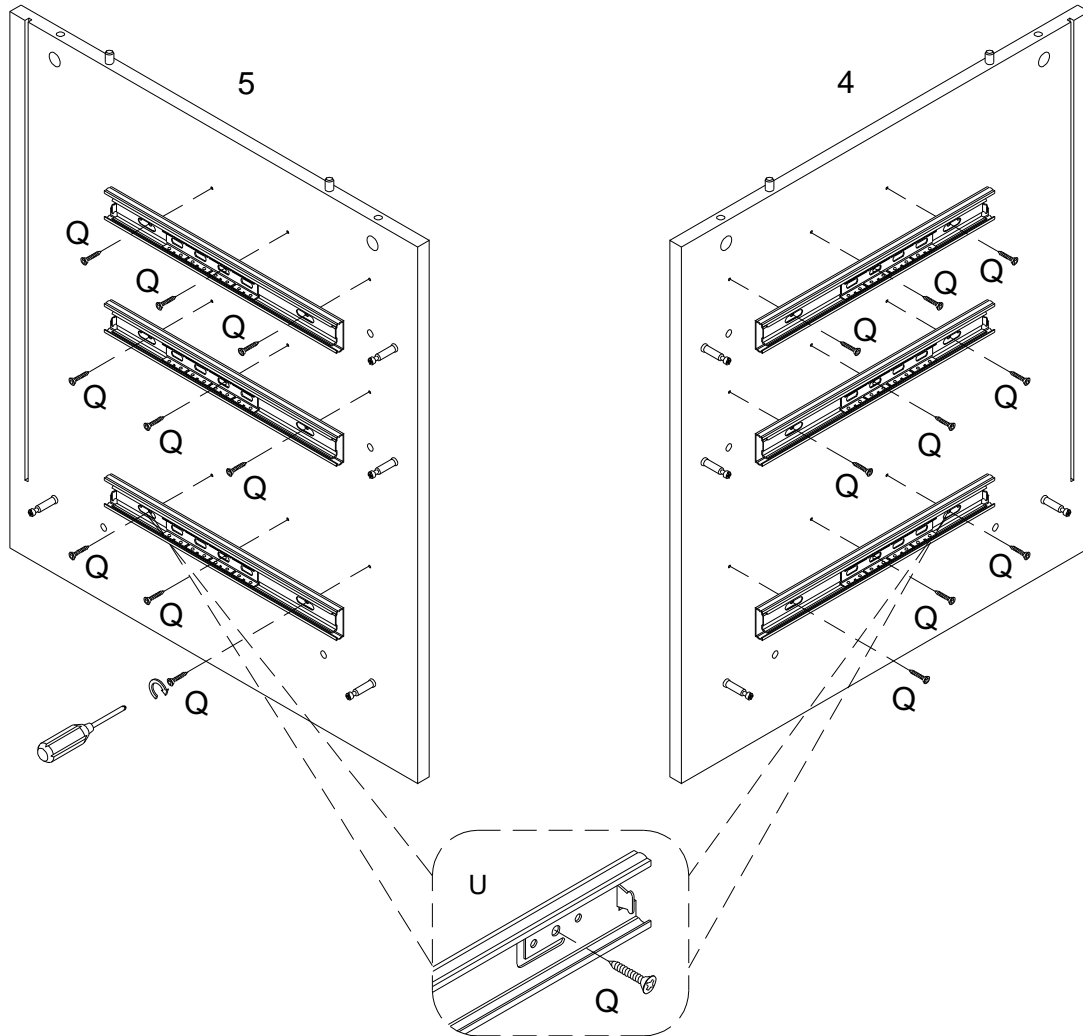
Pick up the slider arm (U) and separate the slide Runner for the following Steps. Extend the Slide Runner all the way forward, press the plastic release lever of the slider arm up and pull the Slide Runner Complete out .

Step 4



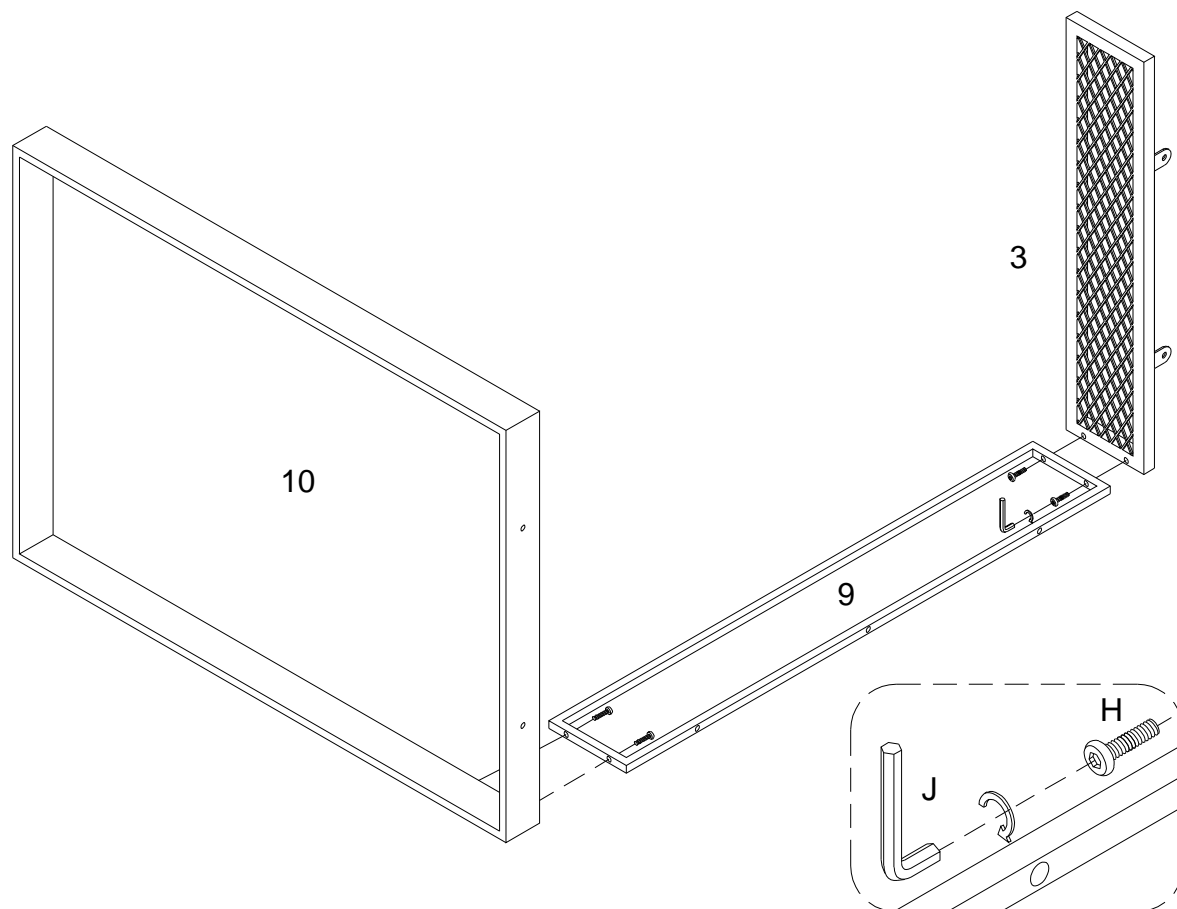
Using Screw (Q) attach part (U) to parts (11,12,16,17) with Philips head screwdriver as per diagram.

Step 5



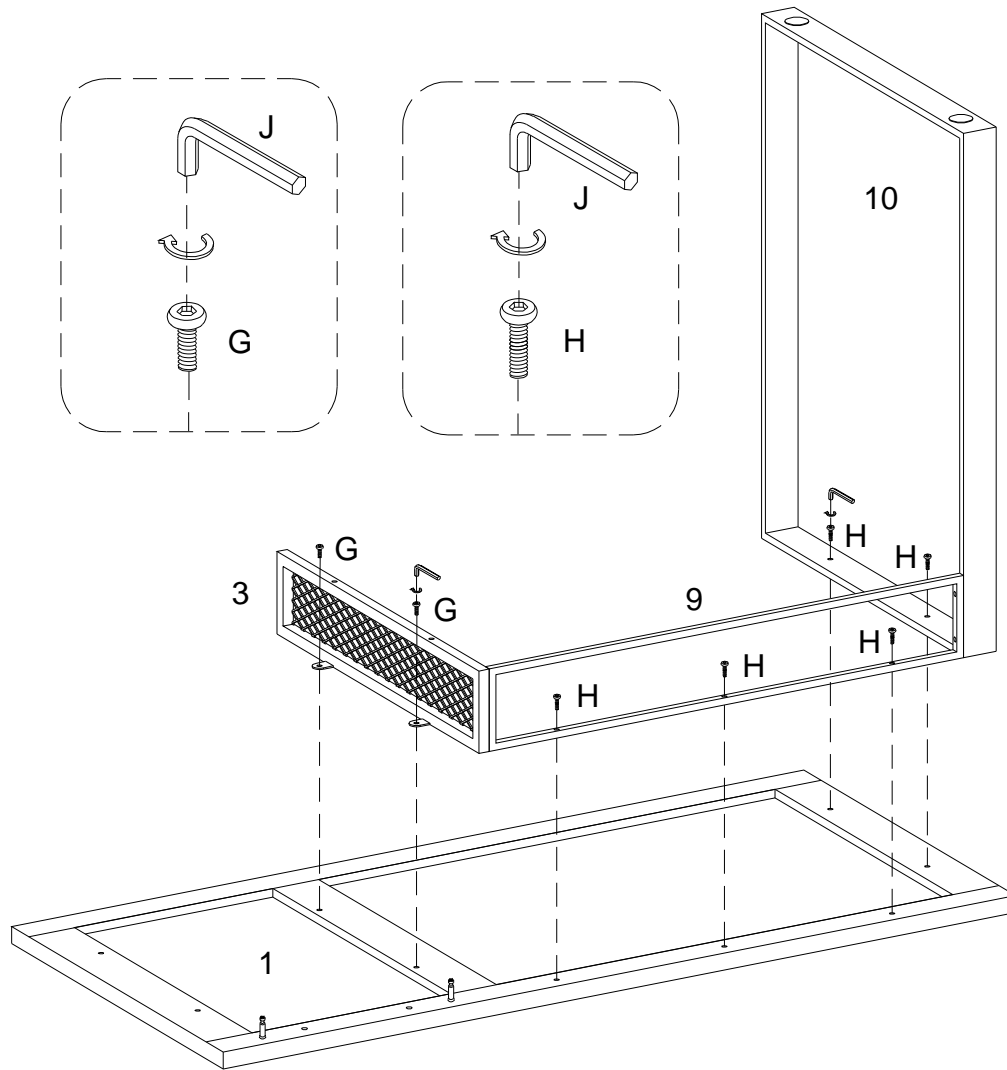
Using Screw (Q) attach part (U) to parts (4,5) with Philips head screwdriver as per diagram.

Step 6



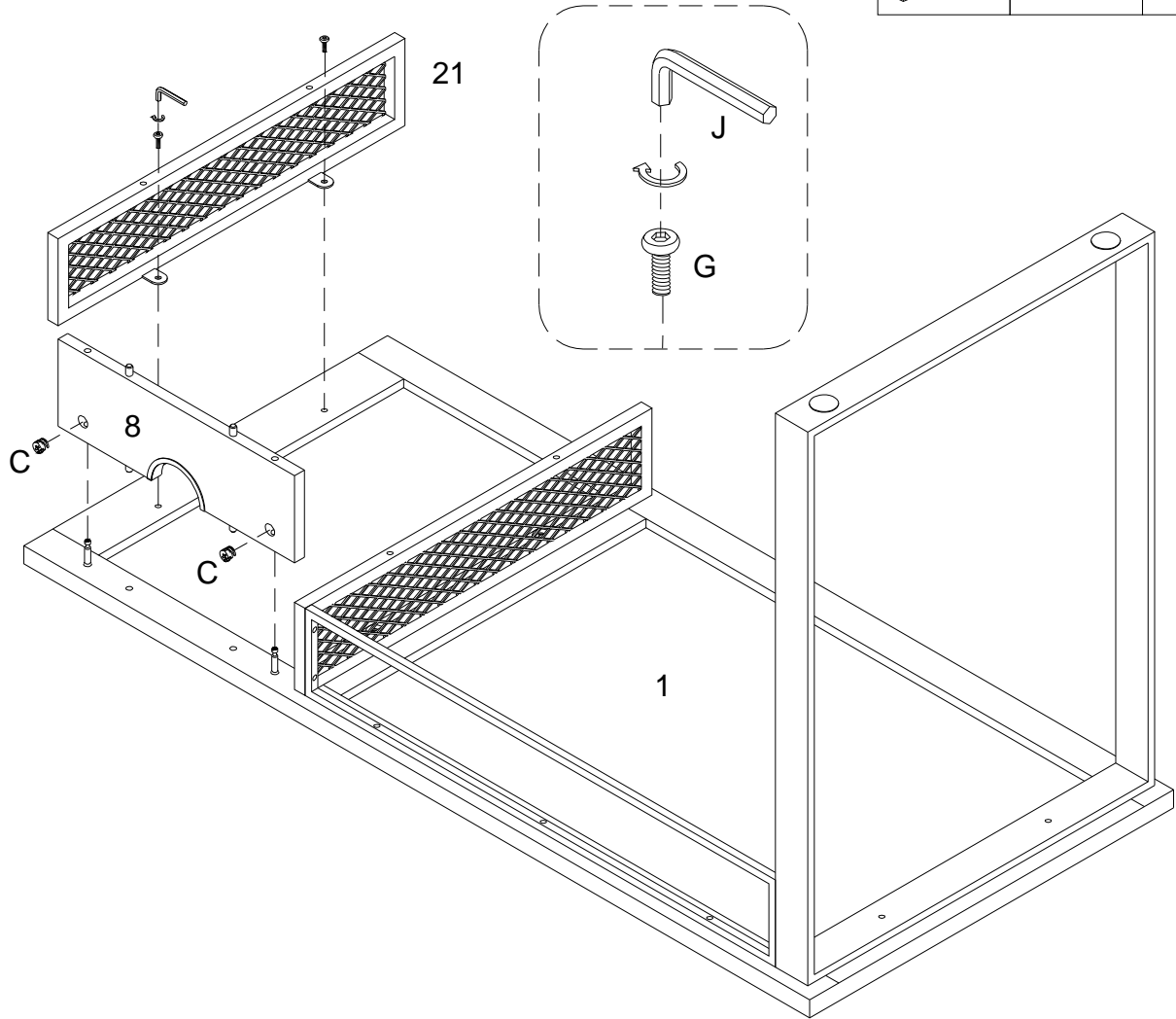
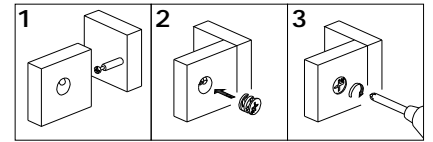
Using Bolt (H) attach part (9) to parts (3,10) with Hex Key (J) as per diagram.

Step 7



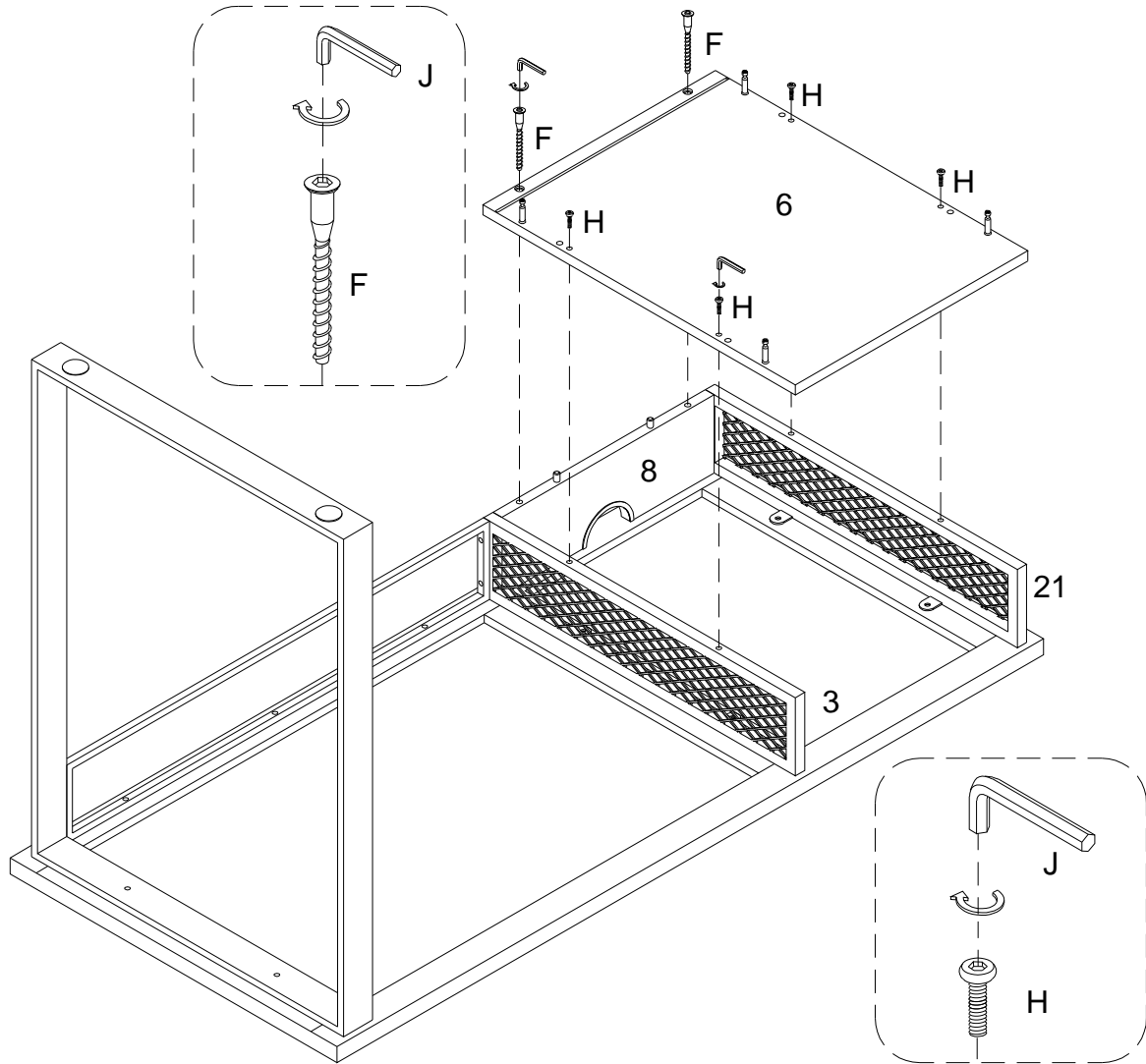
Using Bolt (H) attach parts (9,10) to part (1) ,then using Bolt (G) attach part (3) to part (1) with Hex Key (J) as per diagram.

Step 8



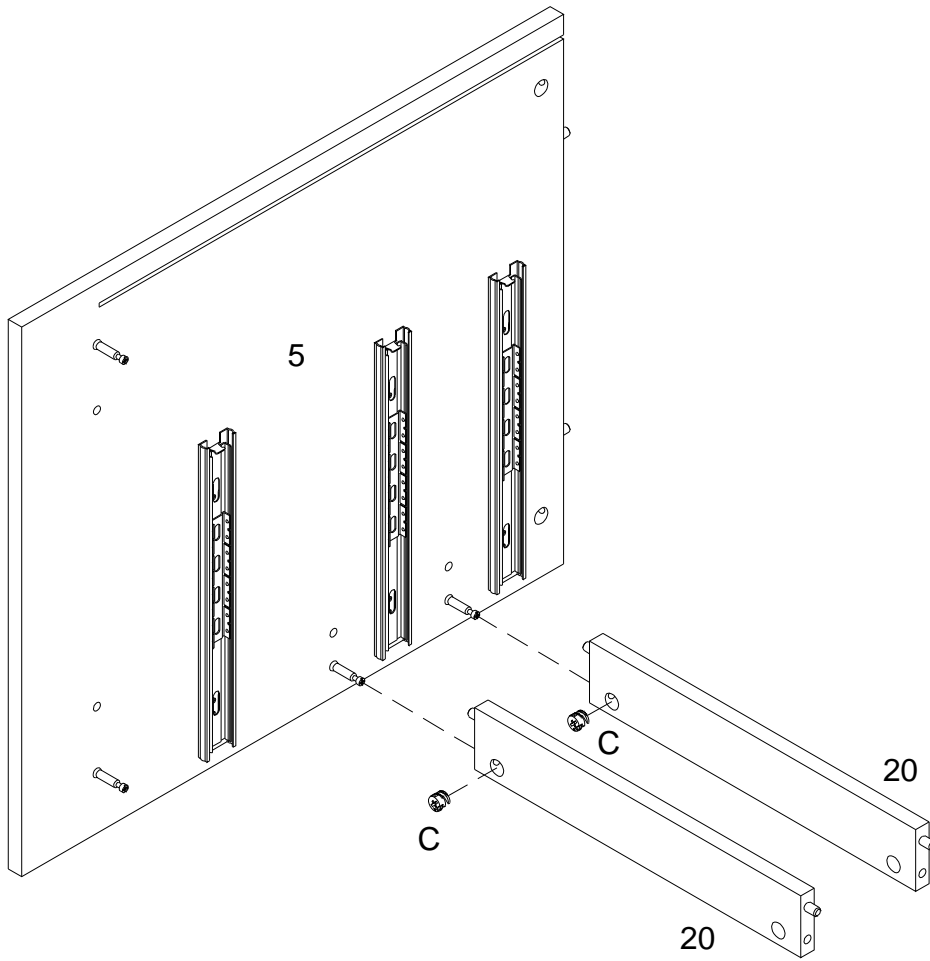
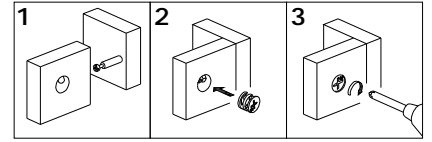
Using Bolt (G) attach part (21) to part (1) with Hex Key (J) ,then using Cam lock (C) secure part (8) to part (1) with Philips head screwdriver as per diagram.

Step 9



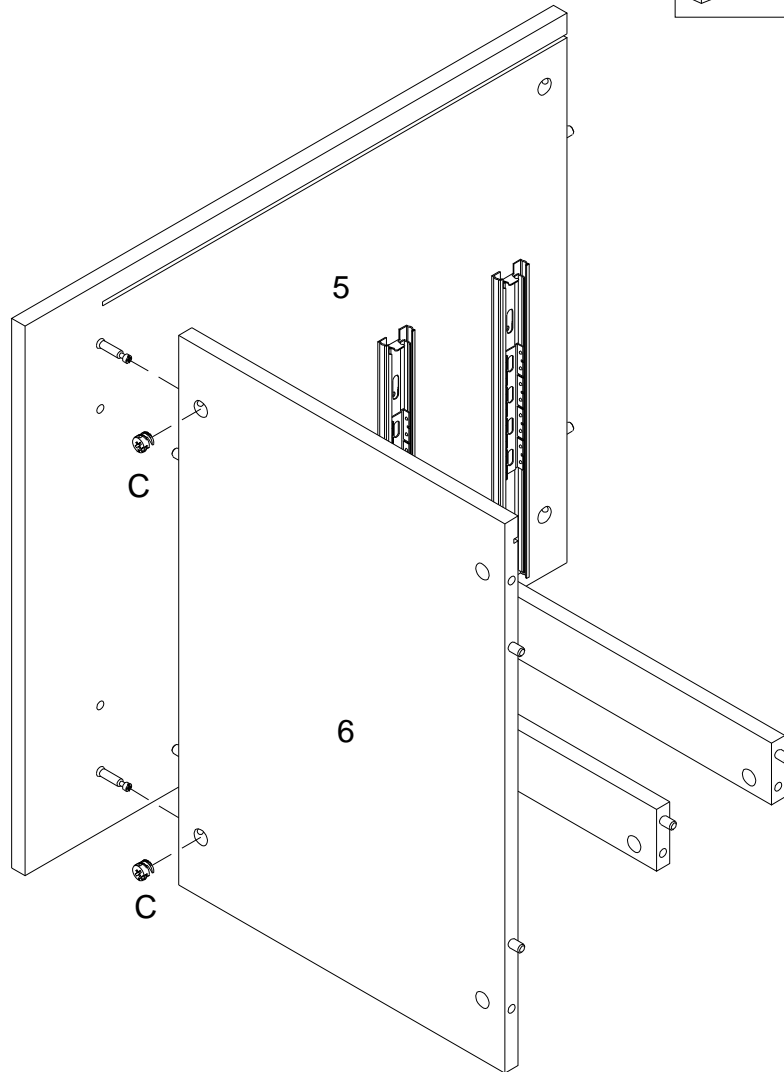
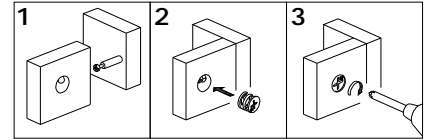
Using Screw (F) attach part (6) into part (8) , and using Bolt (H) attach part (6) to parts (3,21) with Hex key (J) as per diagram.

Step 10



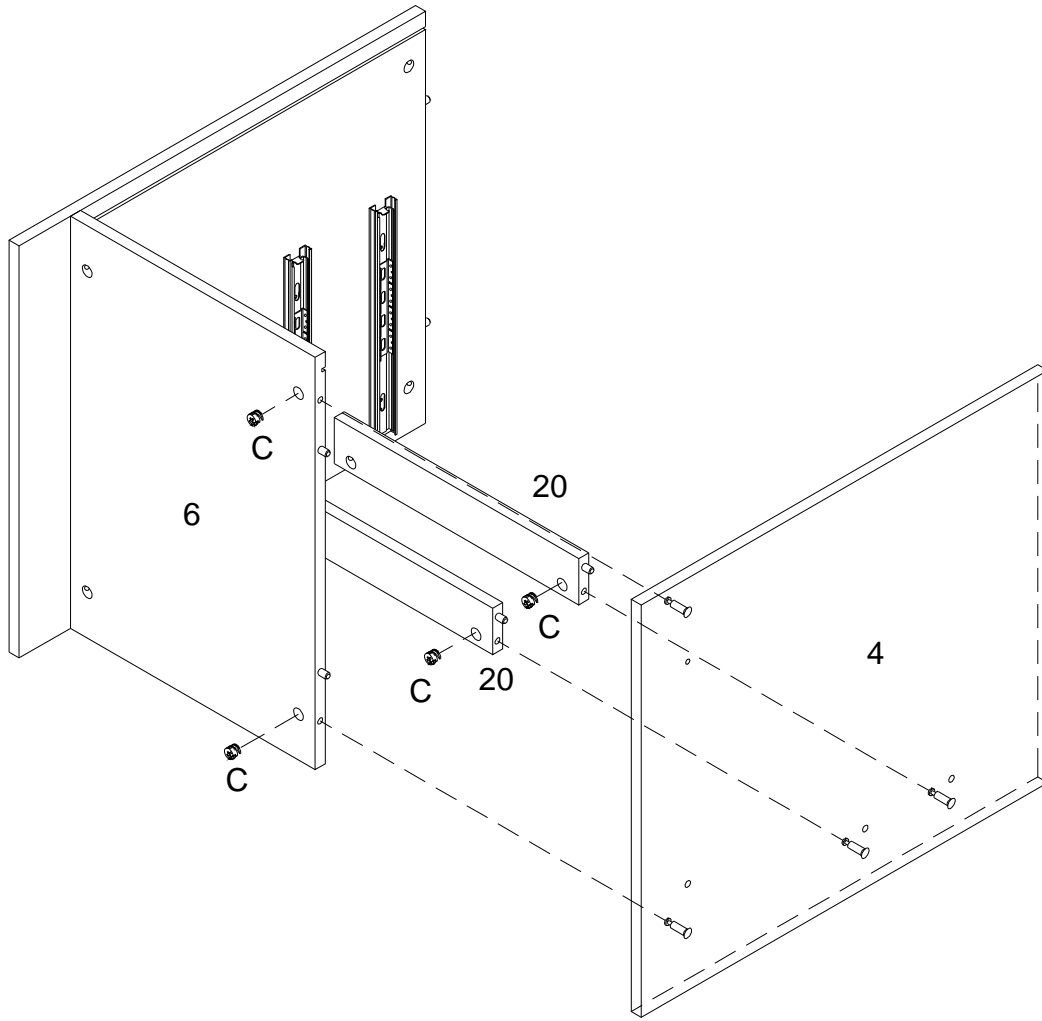
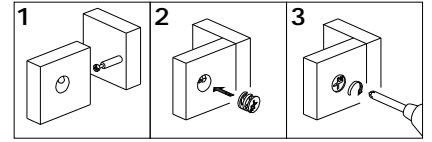
Using Cam lock(C) secure part (20) to part (5) with Philips head screwdriver as per diagram.

Step 11



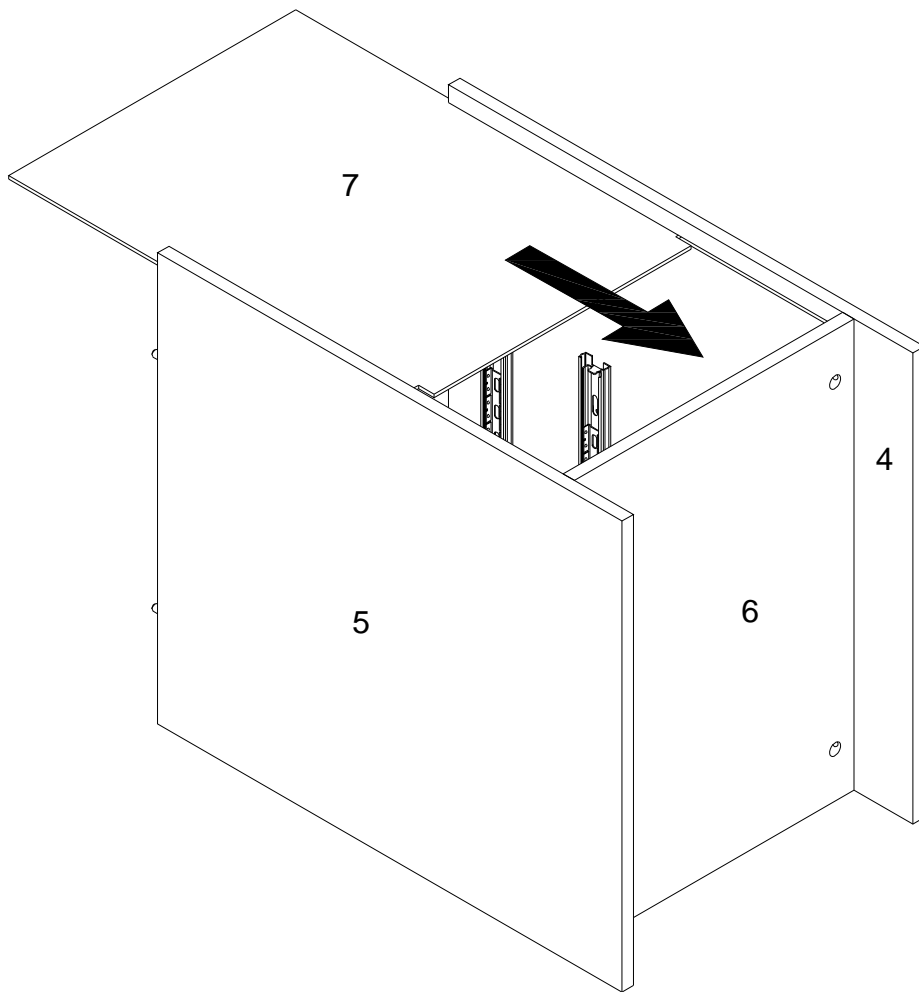
Using Cam lock(C) secure part (6) to part (5) with Philips head screwdriver as per diagram.

Step 12



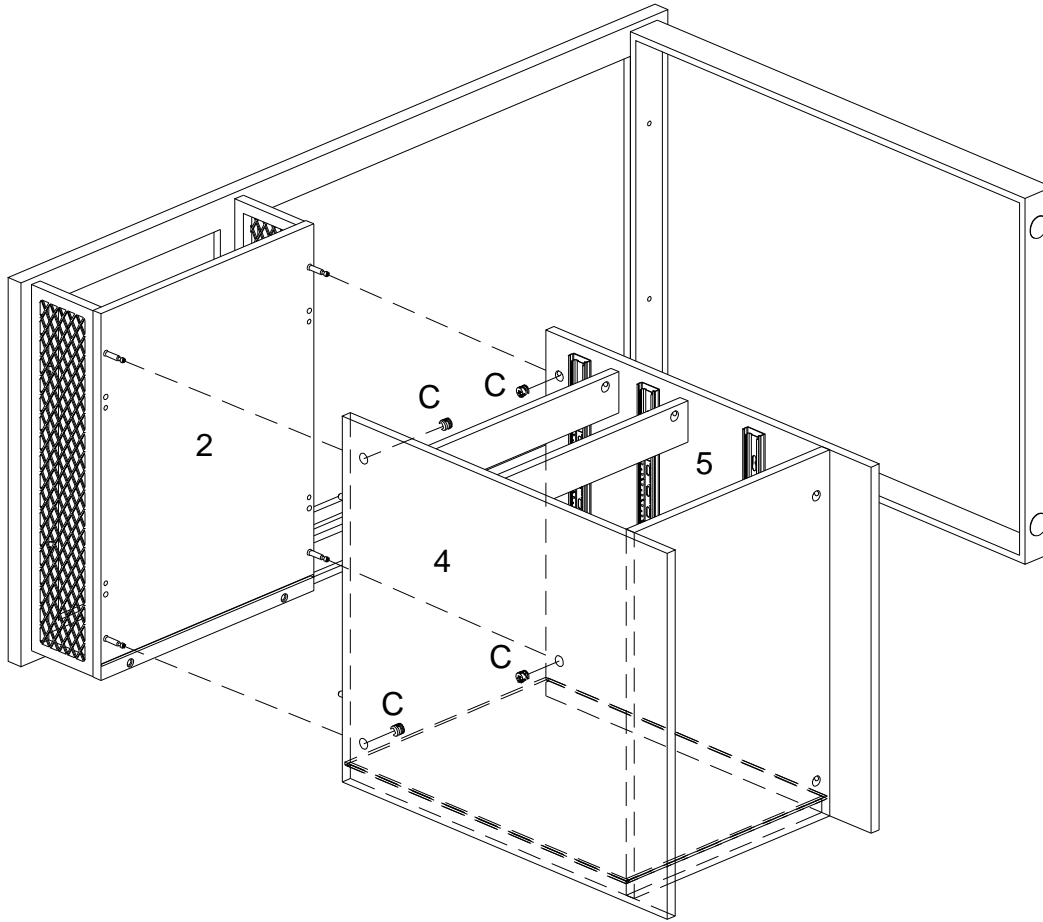
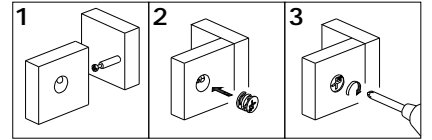
Using Cam lock (C) secure part (4) to parts (6,20) with Philips head screwdriver as per diagram.

Step 13



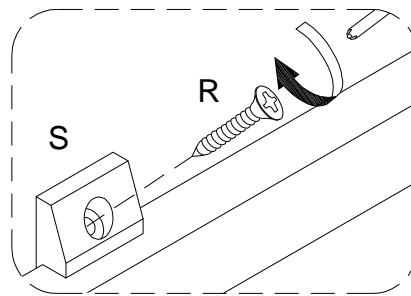
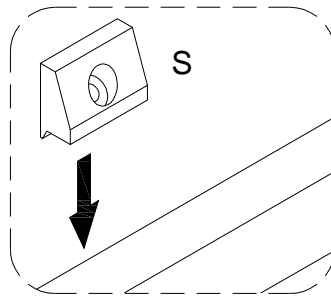
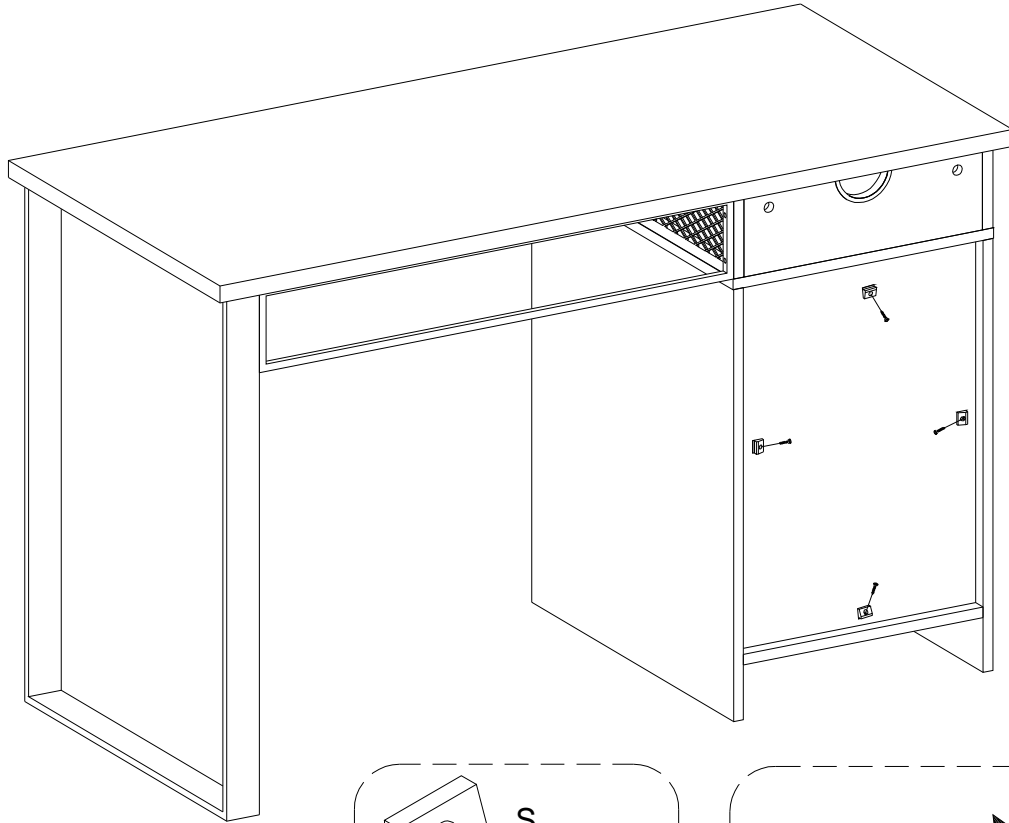
Put part (7) as per diagram.

Step 14



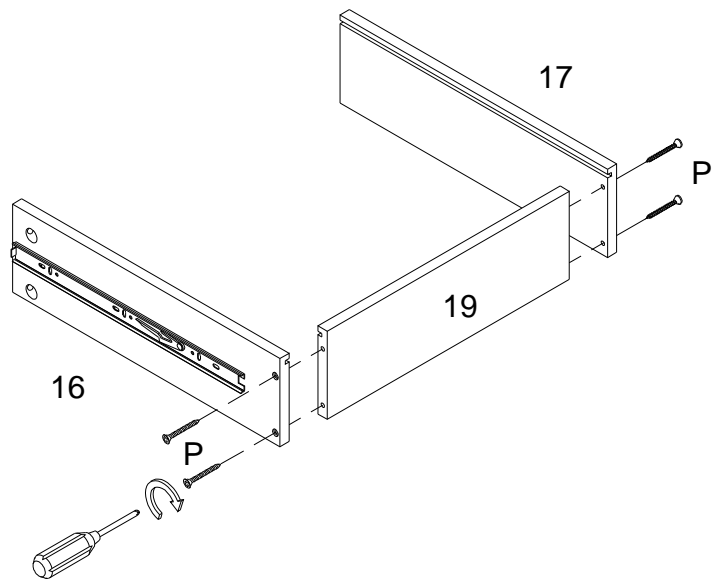
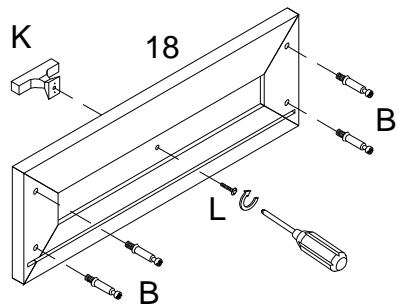
Using Cam lock(C) secure part (2) to parts (4,5) with Philips head screwdriver as per diagram.

Step 15



Using Screw (R) attach Plastic strap (S) with Philips head screwdriver as per diagram.

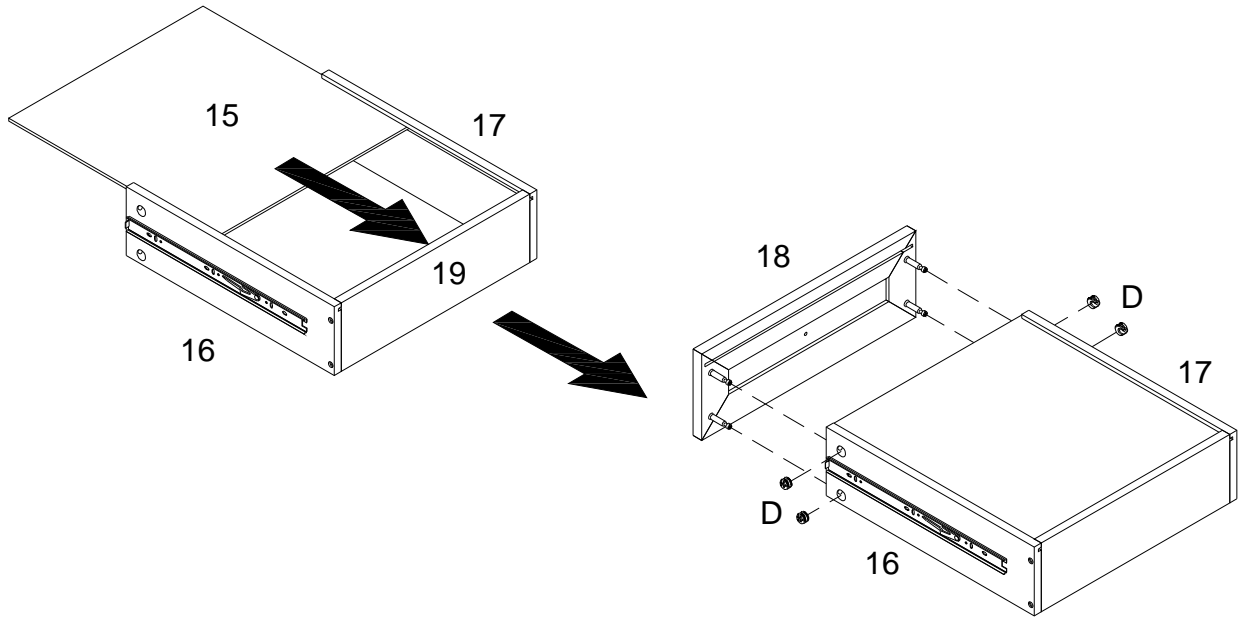
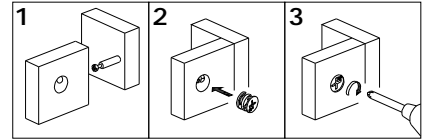
Step 16



x 2

Secure Cam bolt (B) into part (18), then using handle bolt (L) secure handle (K) to part (18) and using Screw (P) attach parts(16,17) to part (19) with Philips head screwdriver as per diagram.

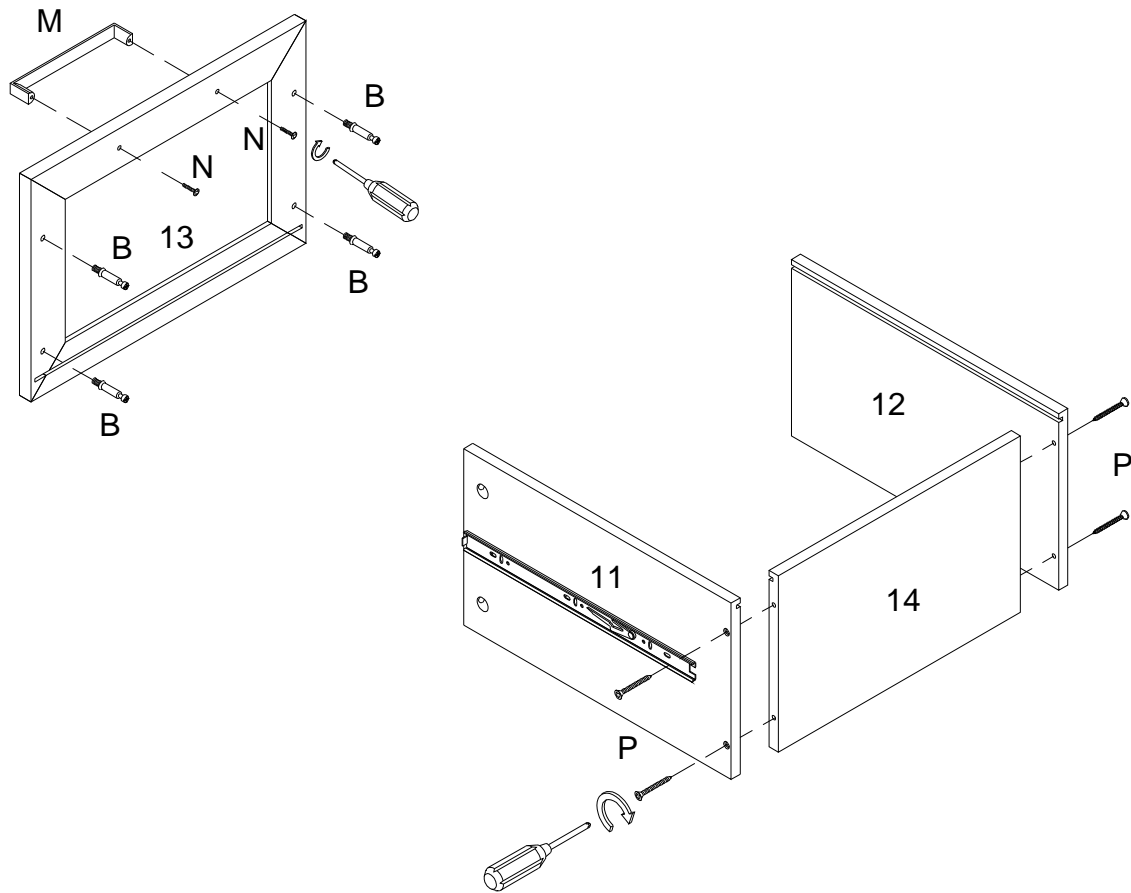
Step 17



x 2

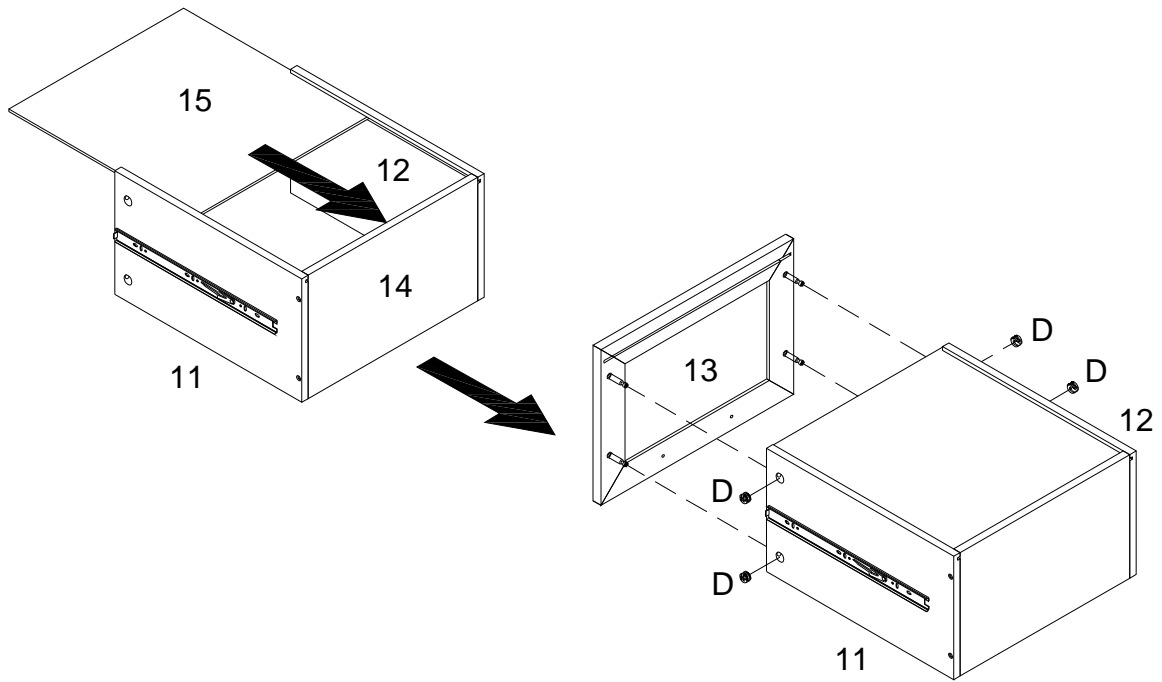
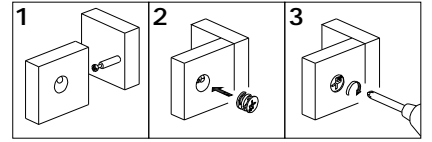
Put part (15) as per diagram. Using Cam lock (D) secure part (18) to parts (16,17) with Philips head screwdriver as per diagram.

Step 18



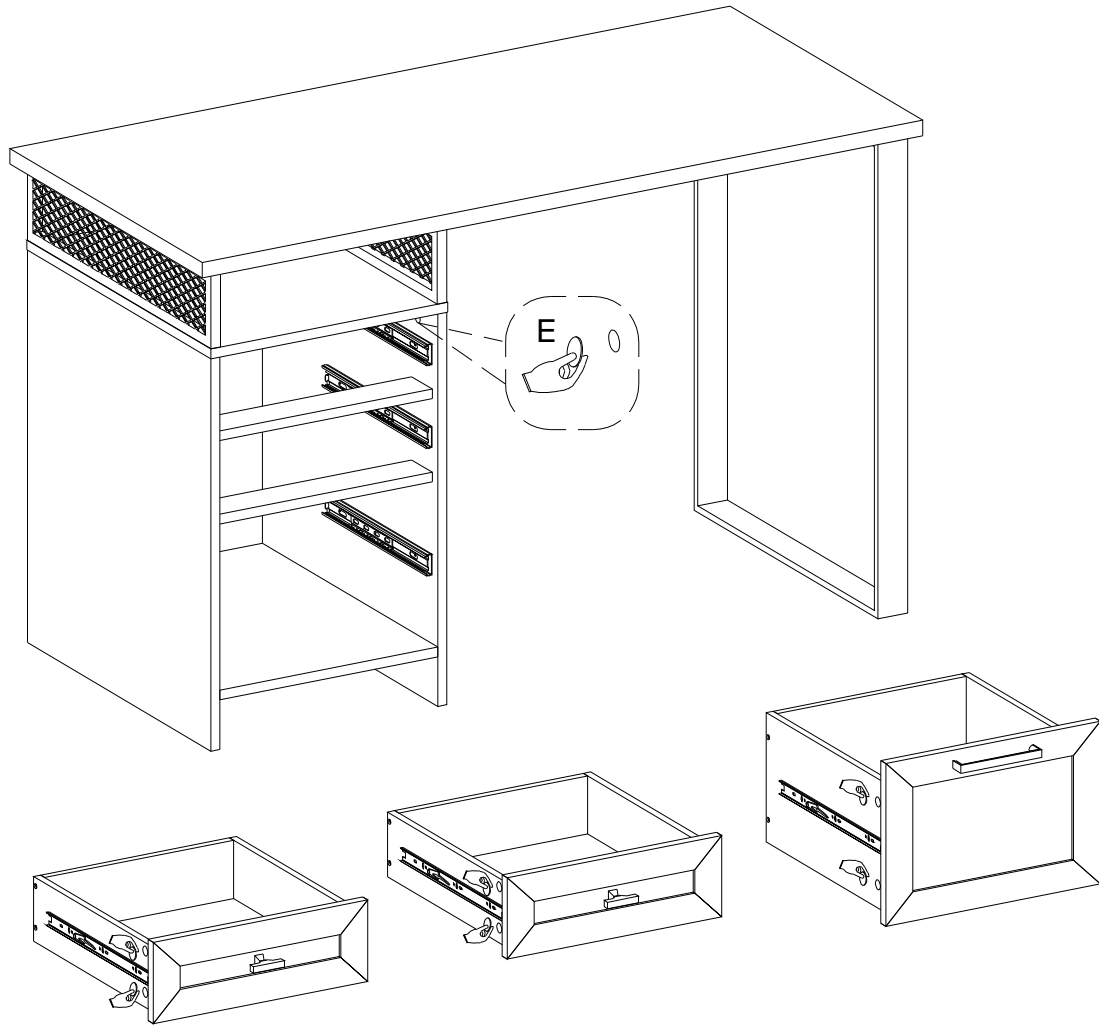
Secure Cam bolt (B) into part (13), then using handle bolt (N) secure handle (M) to part (13) and using Screw (P) attach parts(11,12) to part (14) with Philips head screwdriver as per diagram.

Step 19



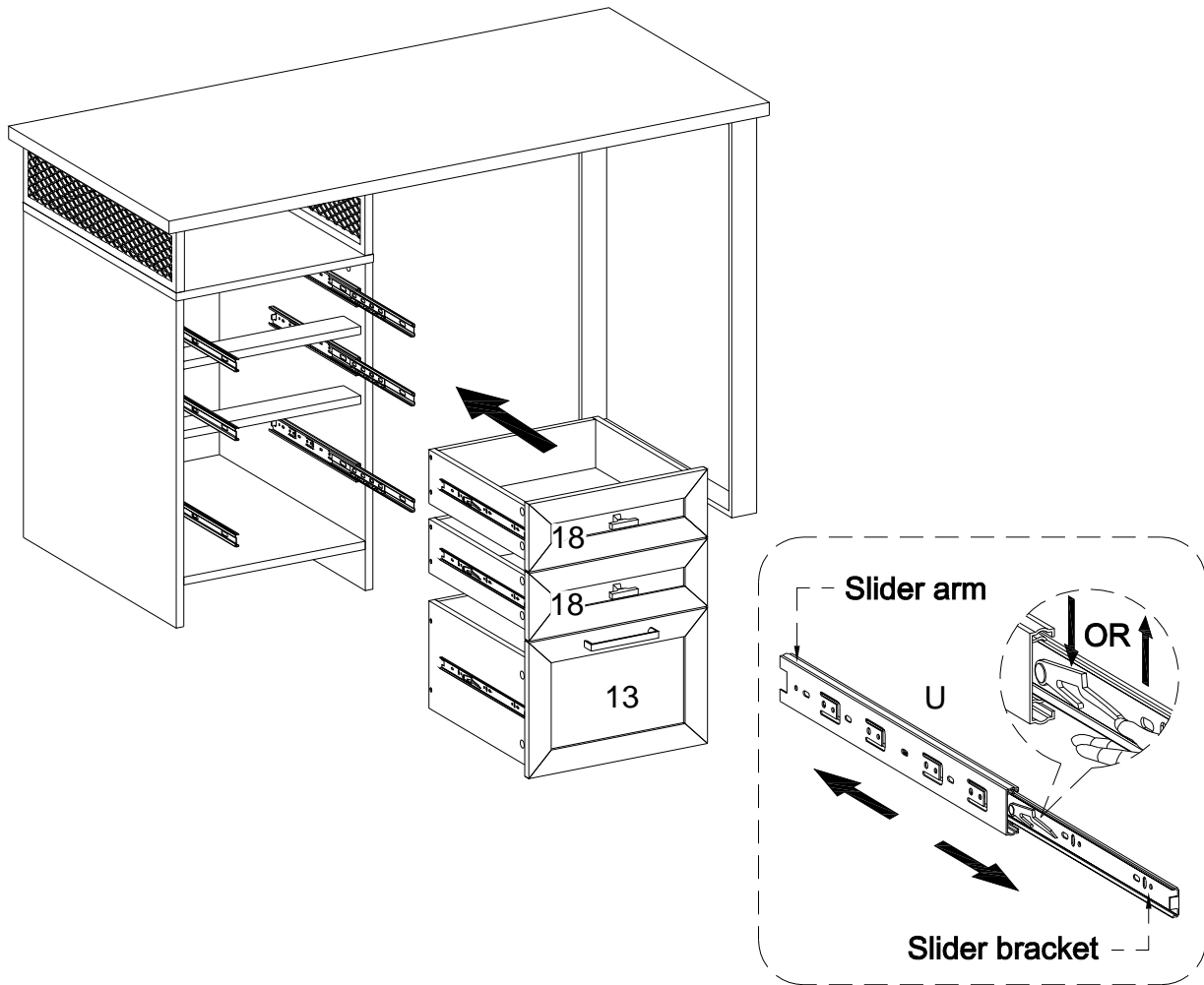
Put part (15) as per diagram. Using Cam lock (D) secure part (13) to parts (11,12) with Philips head screwdriver as per diagram.

Step 20



Place sticker (E) cover the holes as per diagram .

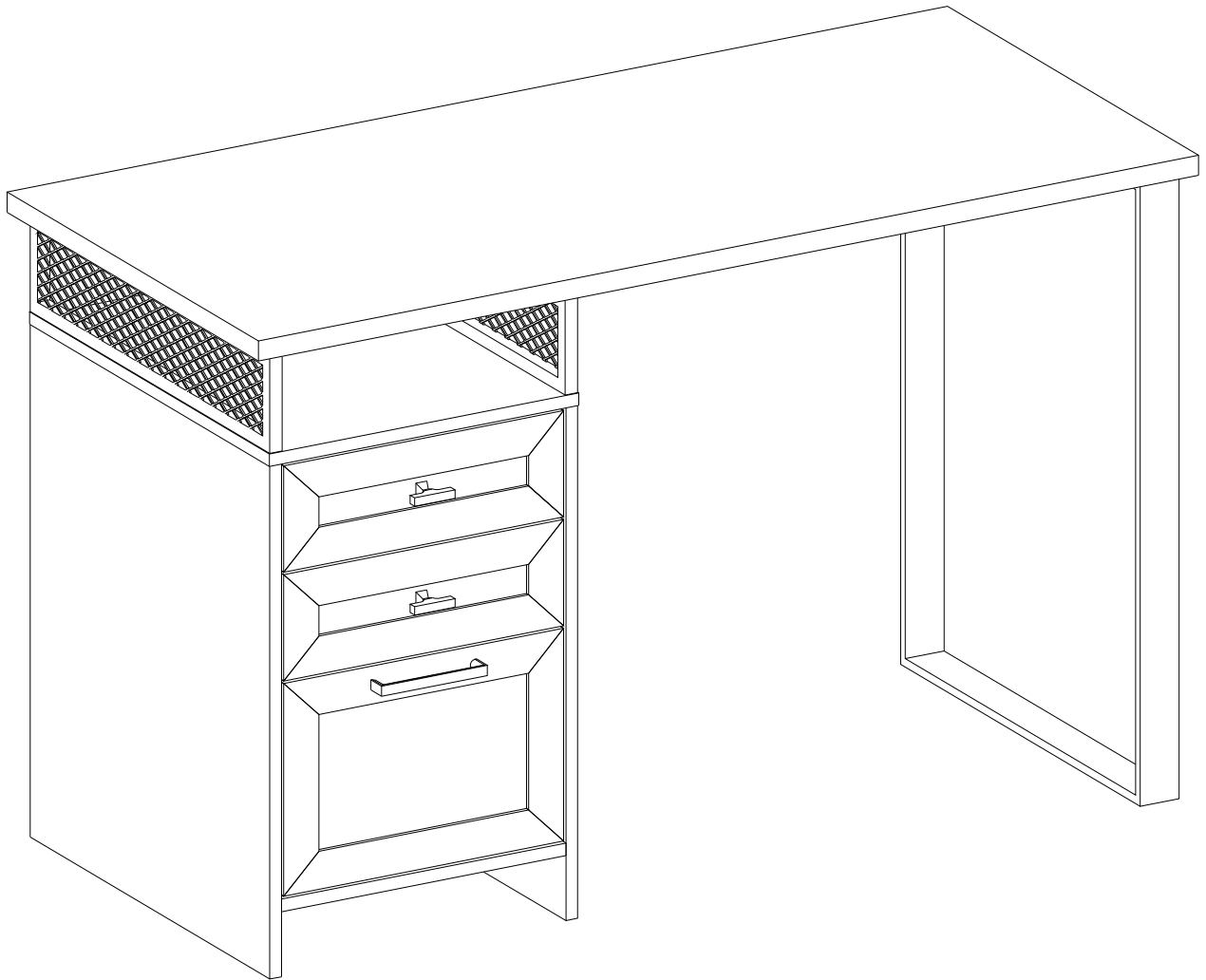
Step 21



Assembled the drawers as per diagram

Note :If the drawer does not go in smoothly .Press or lift the plastic release lever .Pull out the slider bracket from the slider arm then re-assembled the drawer until they were going in smoothly .

Step 22



Final Assembly