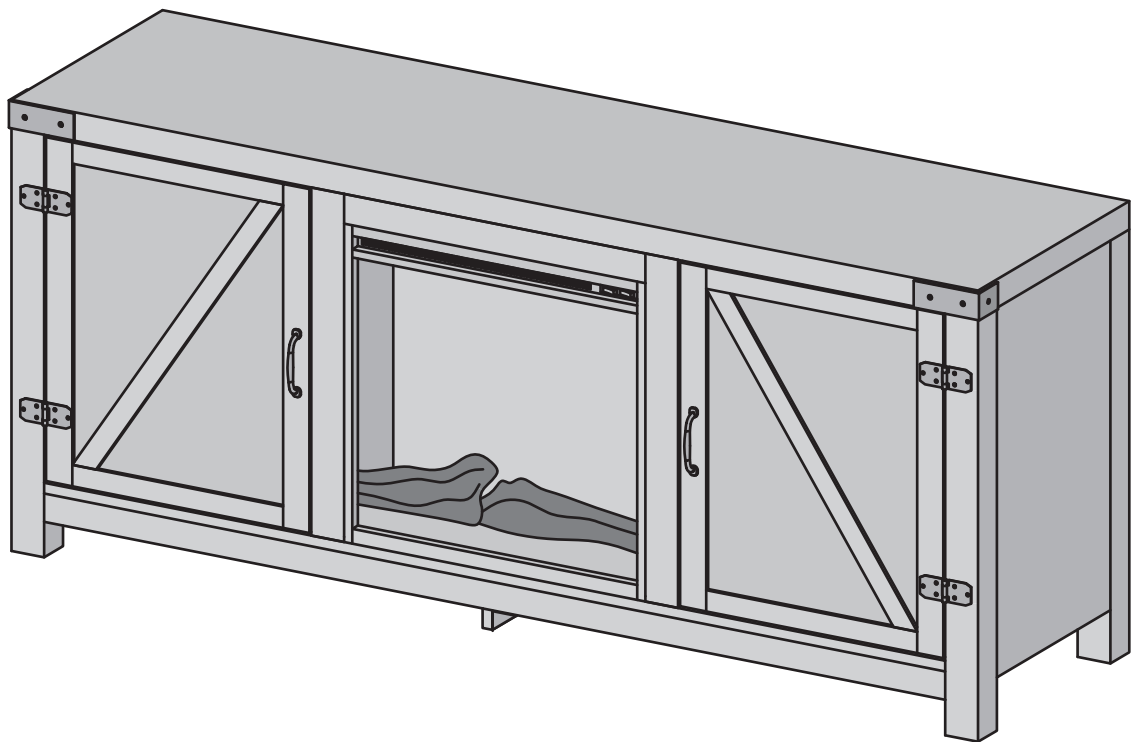


Item # : W58FPBD
Assembly Instructions

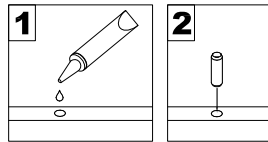


Please visit our website for the most current instructions, assembly tips, report damage, or request parts. www.walkeredison.com

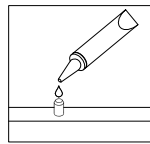
Revised 08/2017

General Assembly Guidelines

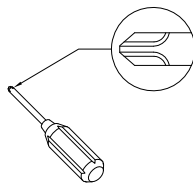
- I. Ensure that all parts and hardware are available before beginning assembly.
- II. Follow each step carefully to ensure the proper assembly of this product.
- III. Two people are recommended for ease in the assembly of this product.
- IV. The three main types of hardware used to assemble this product are : wood dowels , screws and bolts.
- V. The provided glue is to secure wood dowels in place . When first inserting dowels , locate the appropriate hole for the dowel , place a small amount of glue in the hole and insert the dowel . Wipe away excess glue immediately.



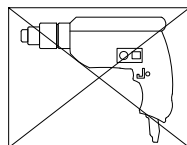
In future assembly steps when dowels are necessary to attach assembly parts together , place a small amount of glue on the end of the dowel before attaching parts together . Wipe away excess glue immediately.



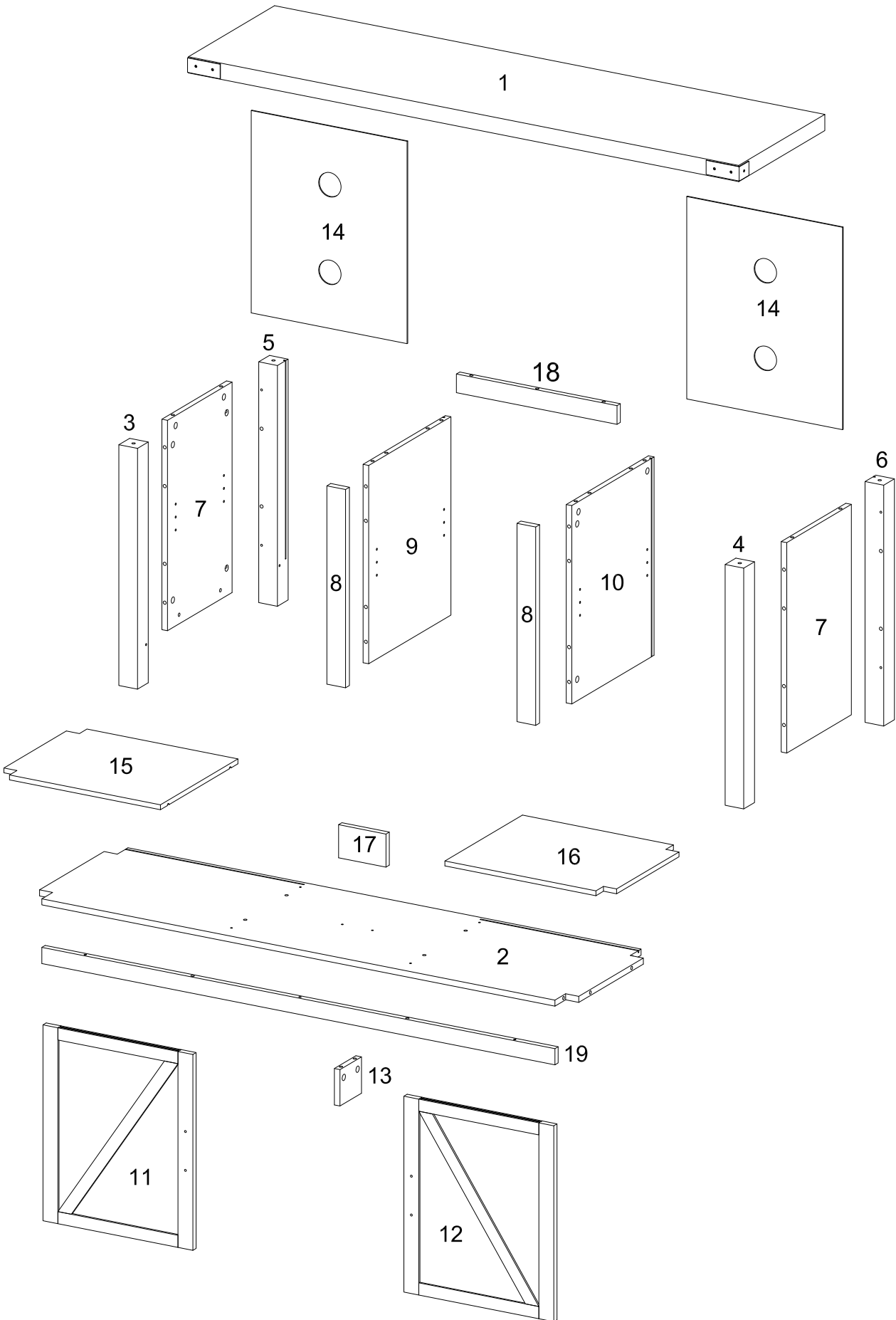
- VI. A Phillips head screwdriver is required for the assembly of this product .




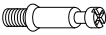



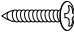

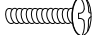
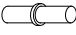
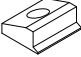
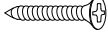
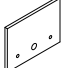
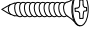


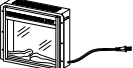




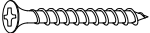
- VII. Power tools should not be used to assemble this product .

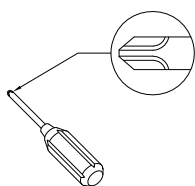


Parts List



Hardware List

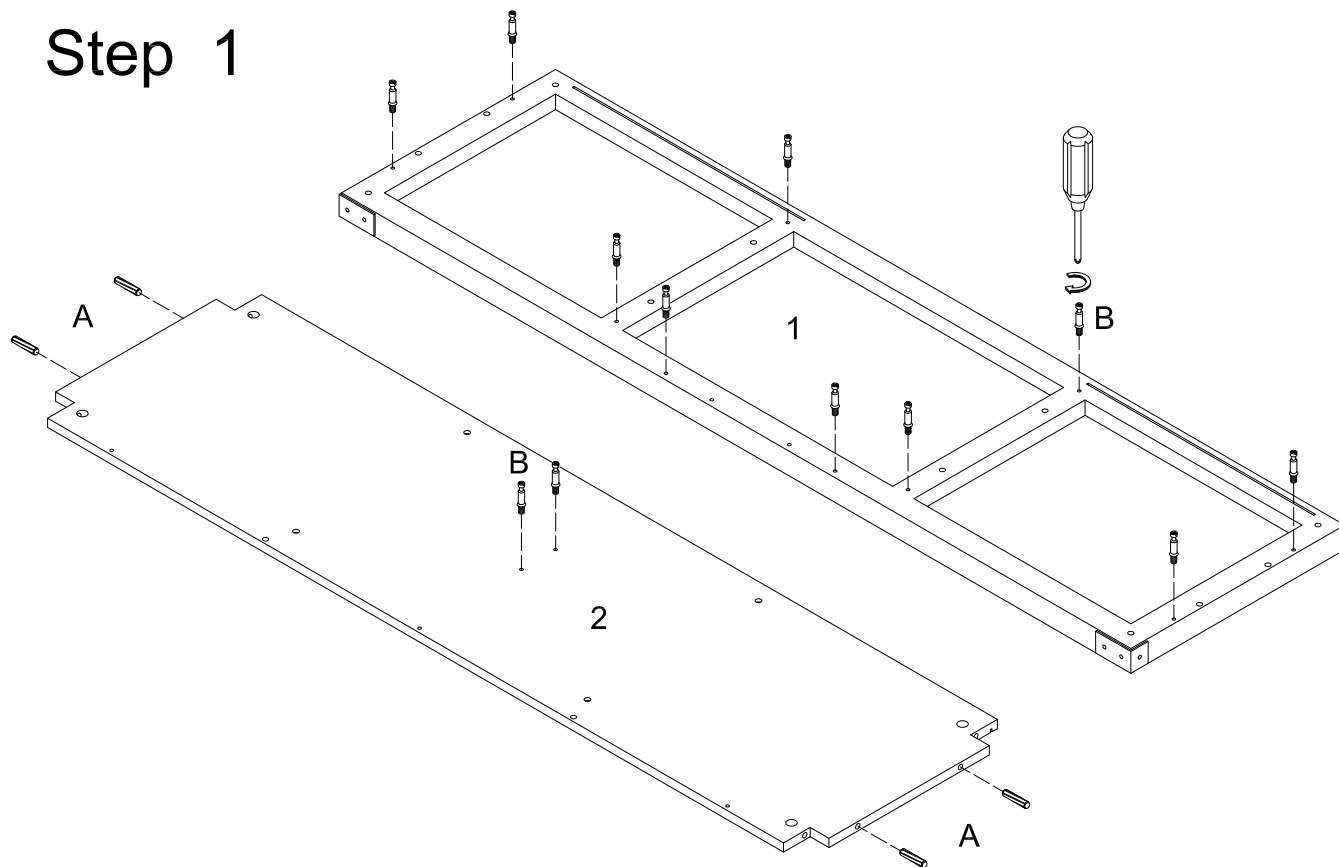
A		Ø8x30mm	Wooden dowel	30 pcs
B		Ø6x35mm	Cam bolt	30 pcs
C		Ø15x11mm	Cam lock	30 pcs
D		Ø6x50mm	Bolt	4 pcs
E			Hinge	4 pcs
F		Ø3x12mm	Screw	24 pcs
G			Handle	2 pcs
H		Ø4x22mm	Bolt	4 pcs
J		Ø8x5x16mm	Shelf support pin	8 pcs
K			Plastic wedges	8 pcs
L		Ø3x17mm	Screw	8 pcs
M		30x20mm	Metal piece	2 pcs
N		Ø3x12mm	Screw	2 pcs
P			Door stopper	2 pcs
Q		Ø3x15mm	Screw	4 pcs
R			Fireplace Insert (F18V66L)	1 pc
S			Screw	6 pcs
T			Sticker	33 pcs
U		M4mm	Wrench	1 pc
V			Glue tube	2 pcs
W		Ø4x45	Screw	3 pcs



Philips head screwdriver required for assembly
(not included)

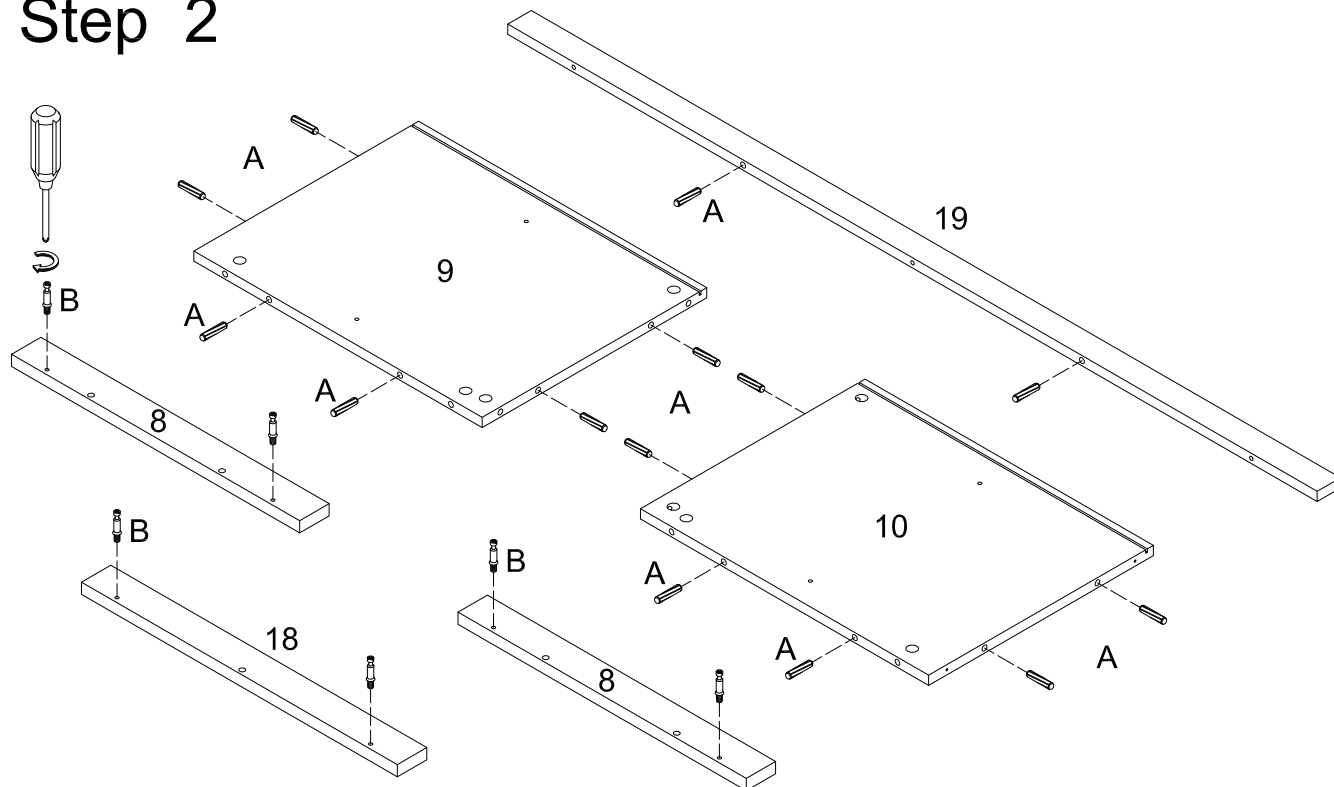
*The hardware quantities listed above are required for proper assembly.
Some extra hardware may also have been included.*

Step 1



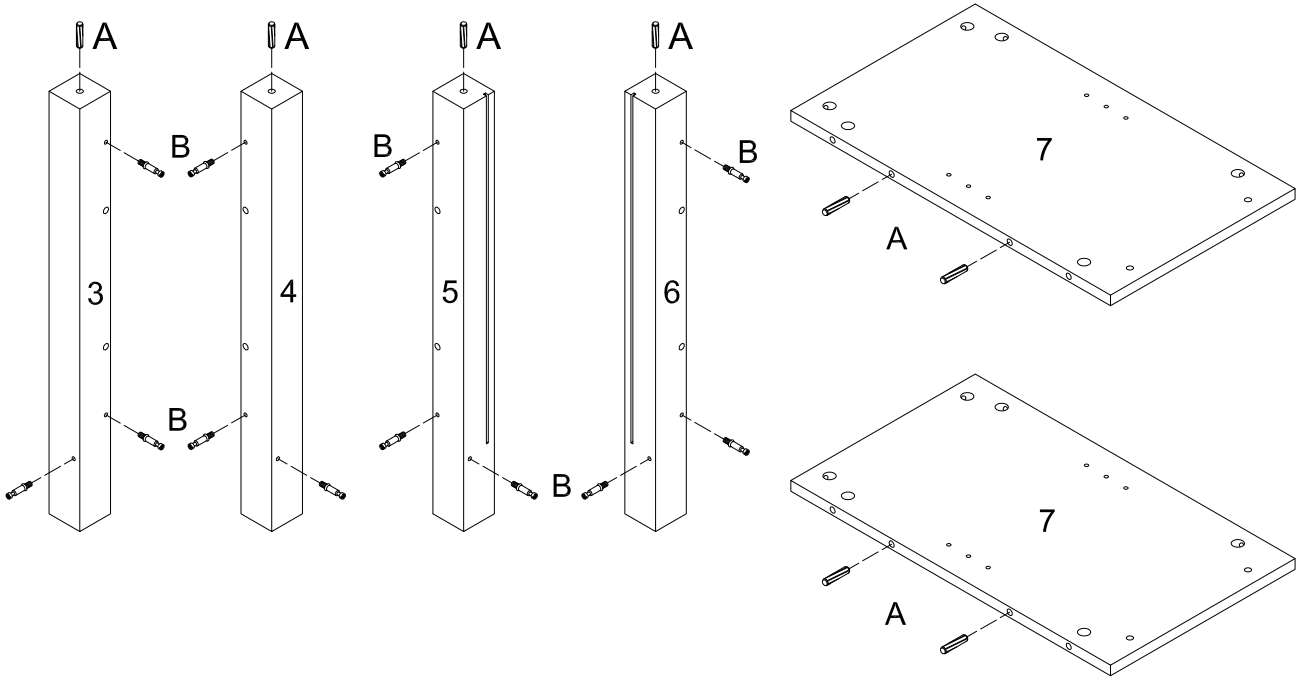
Attach cam bolts (B) to parts (1) and (2). Insert wooden dowels (A) to part (2).

Step 2



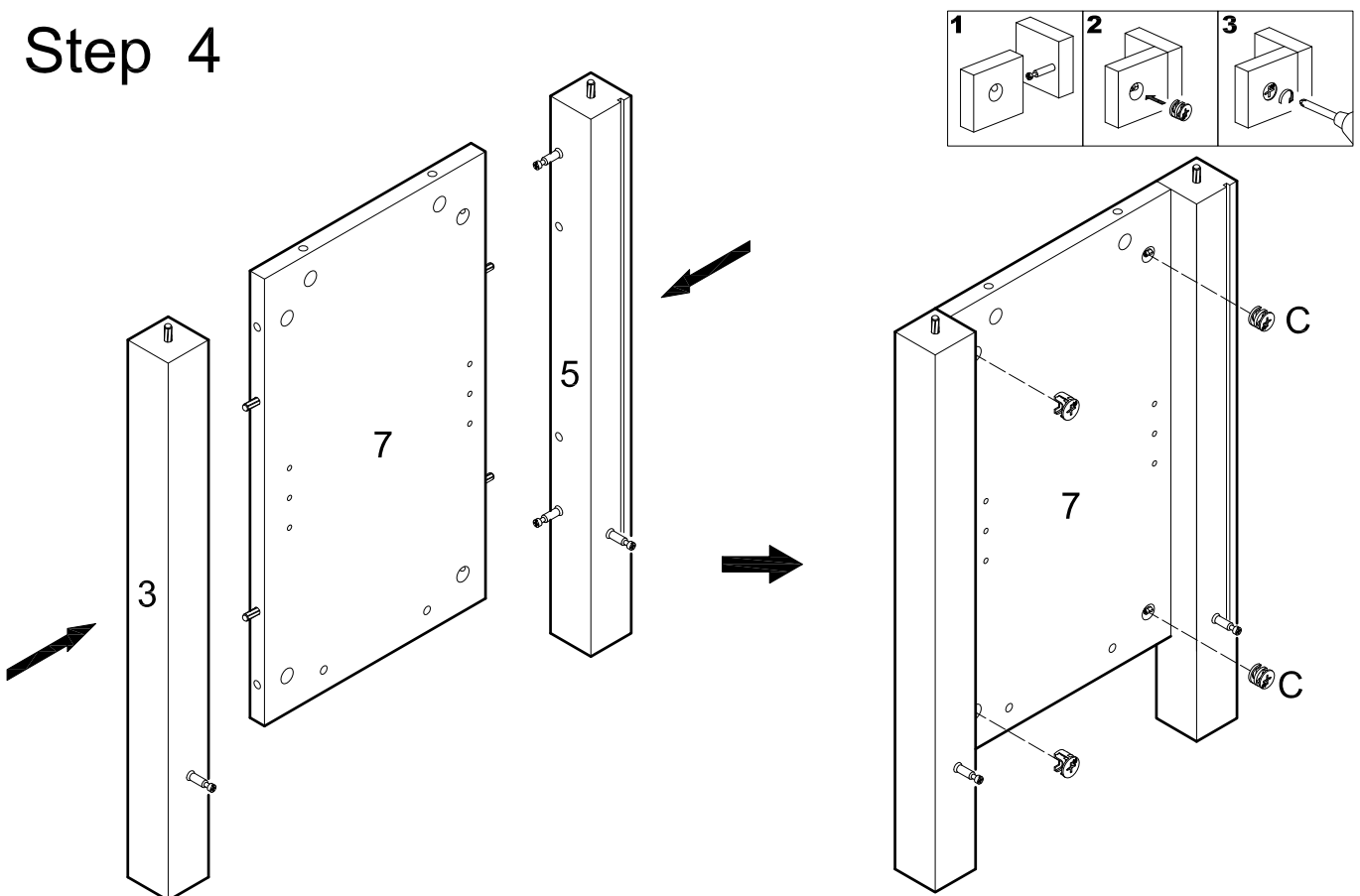
Attach cam bolts (B) to parts (9) and (18). Insert wooden dowels (A) to parts (8, 10, 19).

Step 3



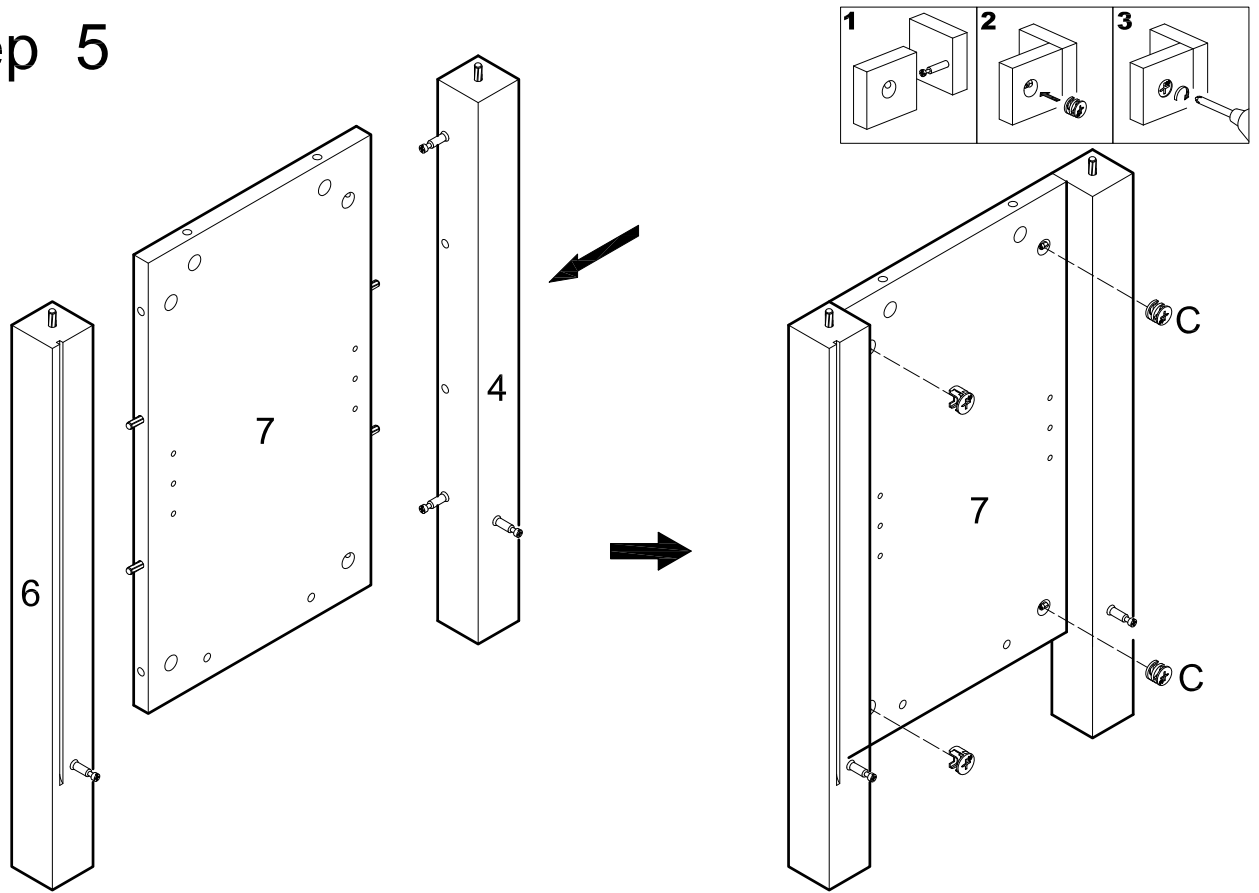
Insert wooden dowels (A) into designated areas in parts (3, 4, 5, 6, 7). Attach cam bolts (B) to parts (3, 4, 5, 6).

Step 4



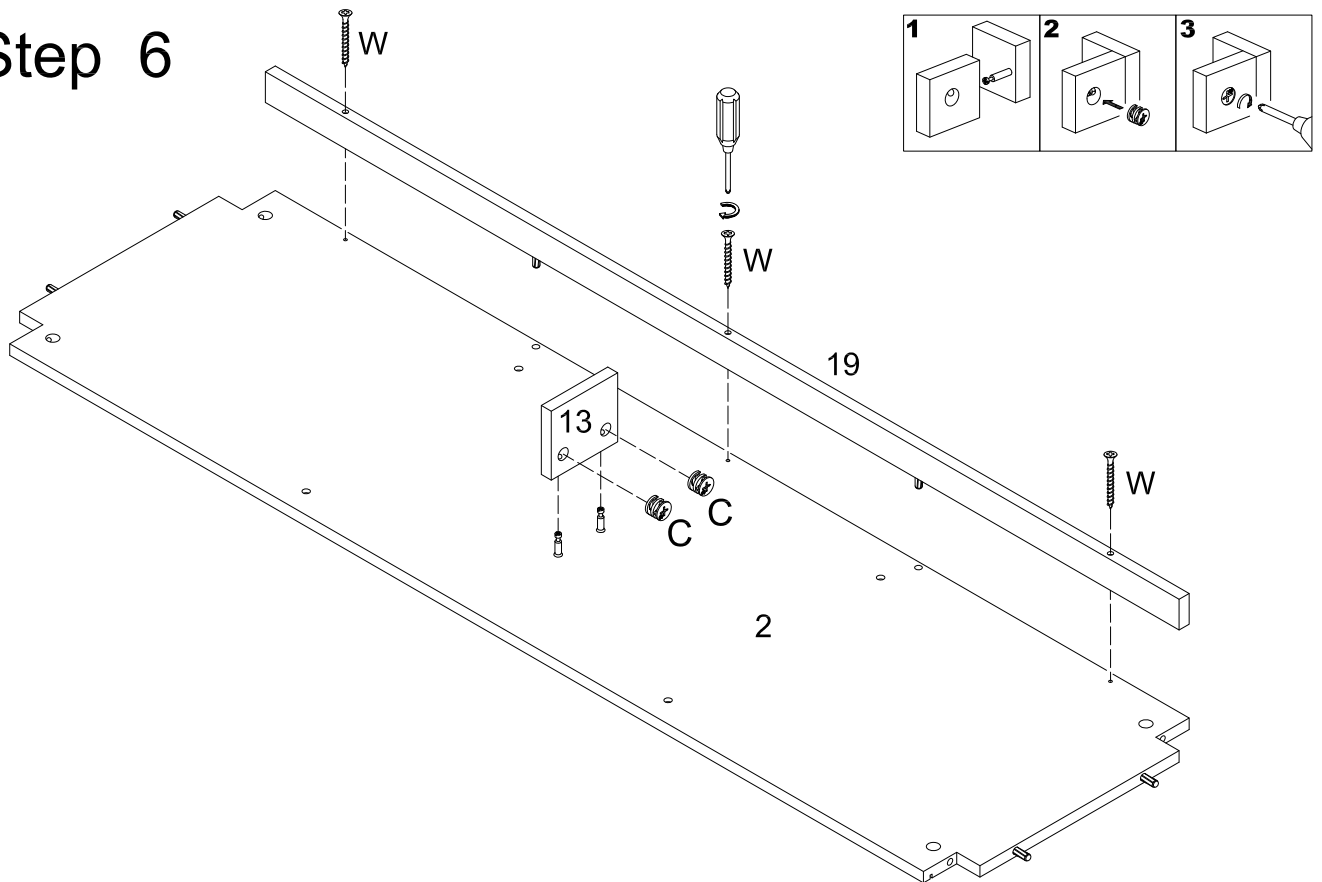
Attach parts (3) and (5) to part (7), and then attach cam locks (C) to fully assembled part (7).

Step 5



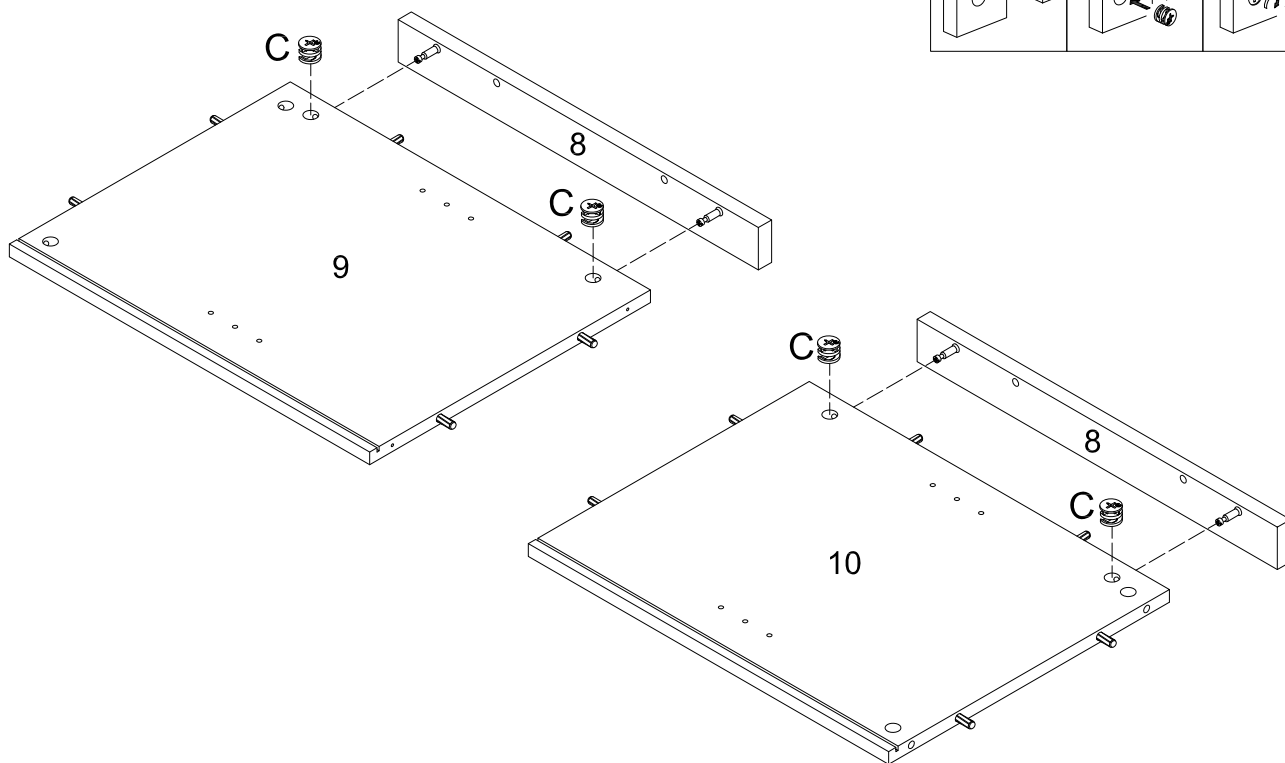
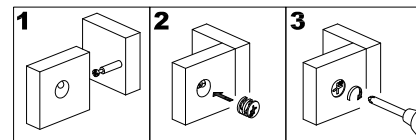
Attach parts (4) and (6) to the other part (7), and then insert cam locks (C) to the fully assembled part (7).

Step 6



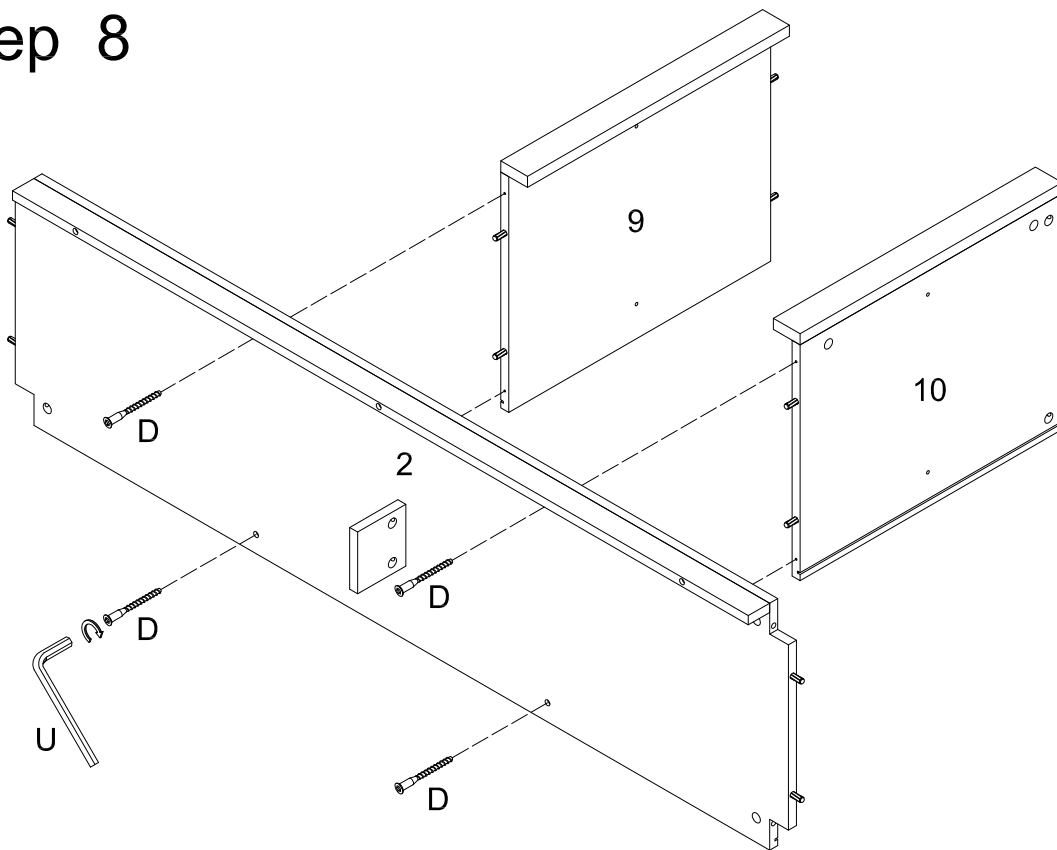
Attach cam locks (C) to parts (13) to panel (2). Attach slat (19) to panel (2) by using screw (W) as guides.

Step 7



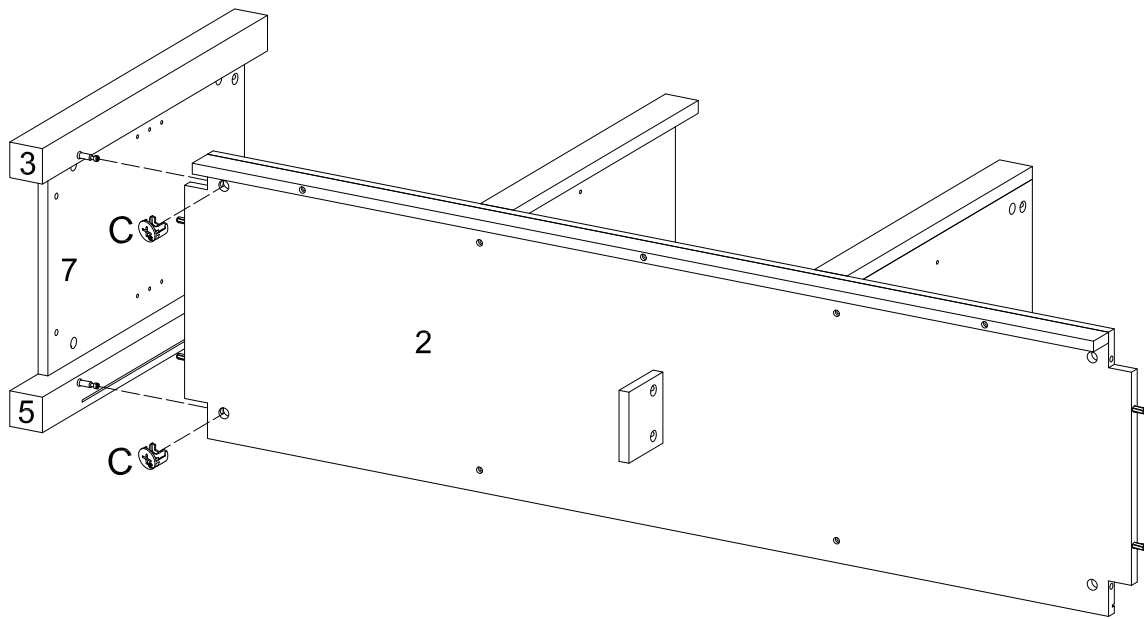
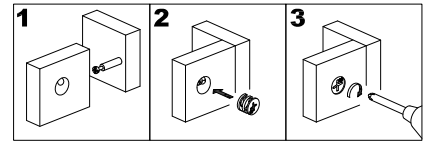
Attach cam locks (C) to part (8) to connect part (9), and to part (10) to connect to the other part (9).

Step 8



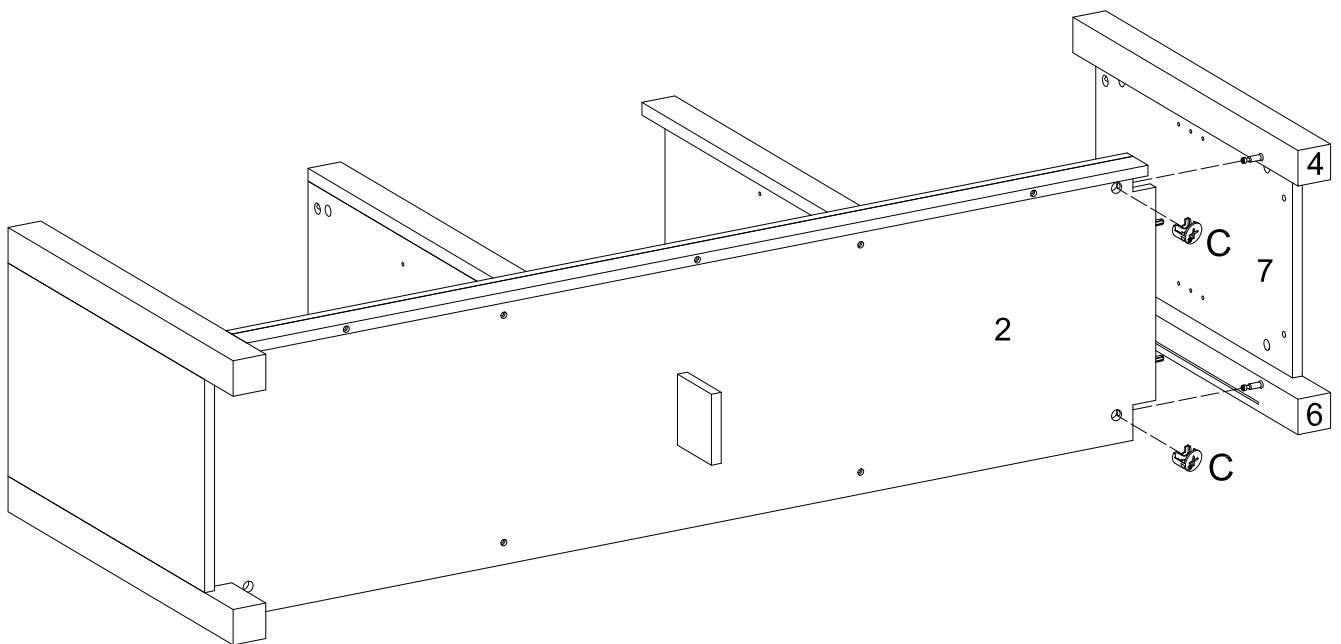
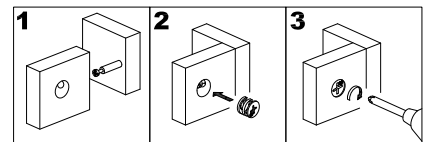
Use the wrench (U) to use bolts (D) to connect parts (9) and (10) to part (2).

Step 9



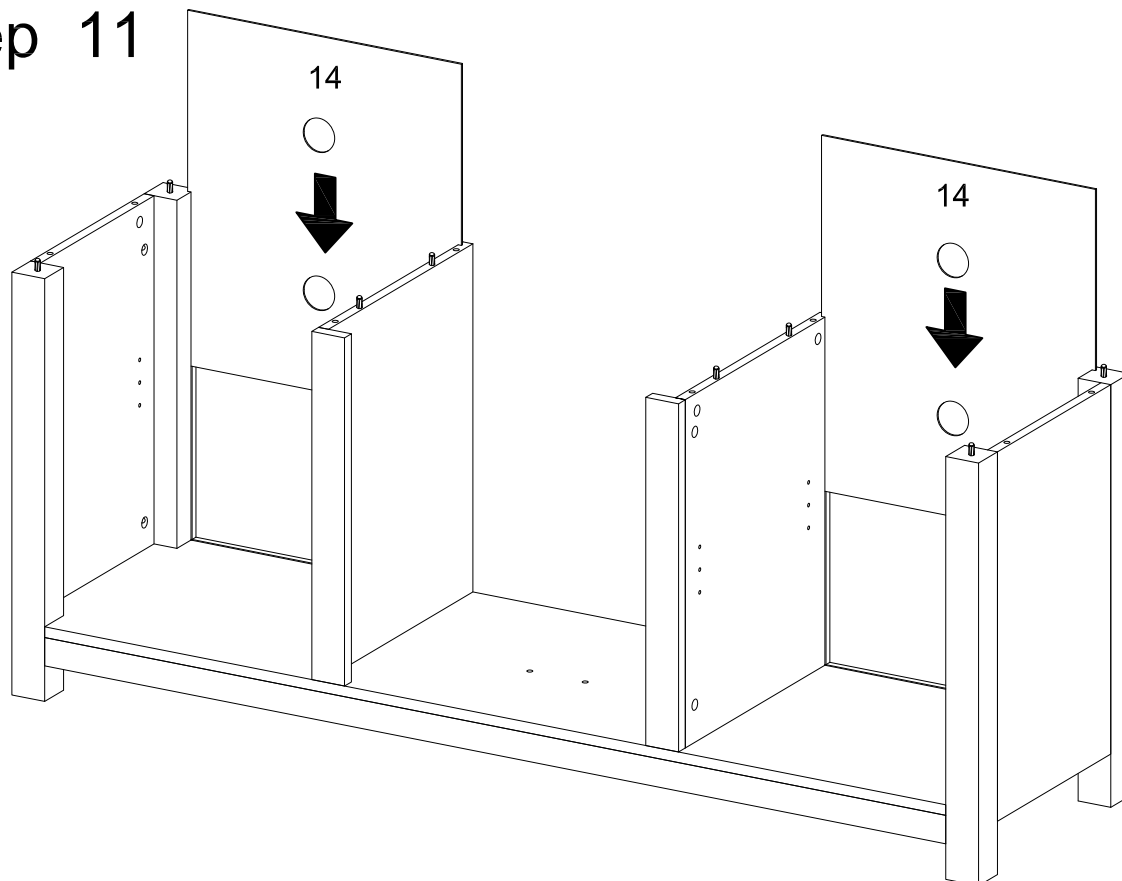
Use cam bolts (C) to connect parts (3) and (5) to part (2).

Step 10



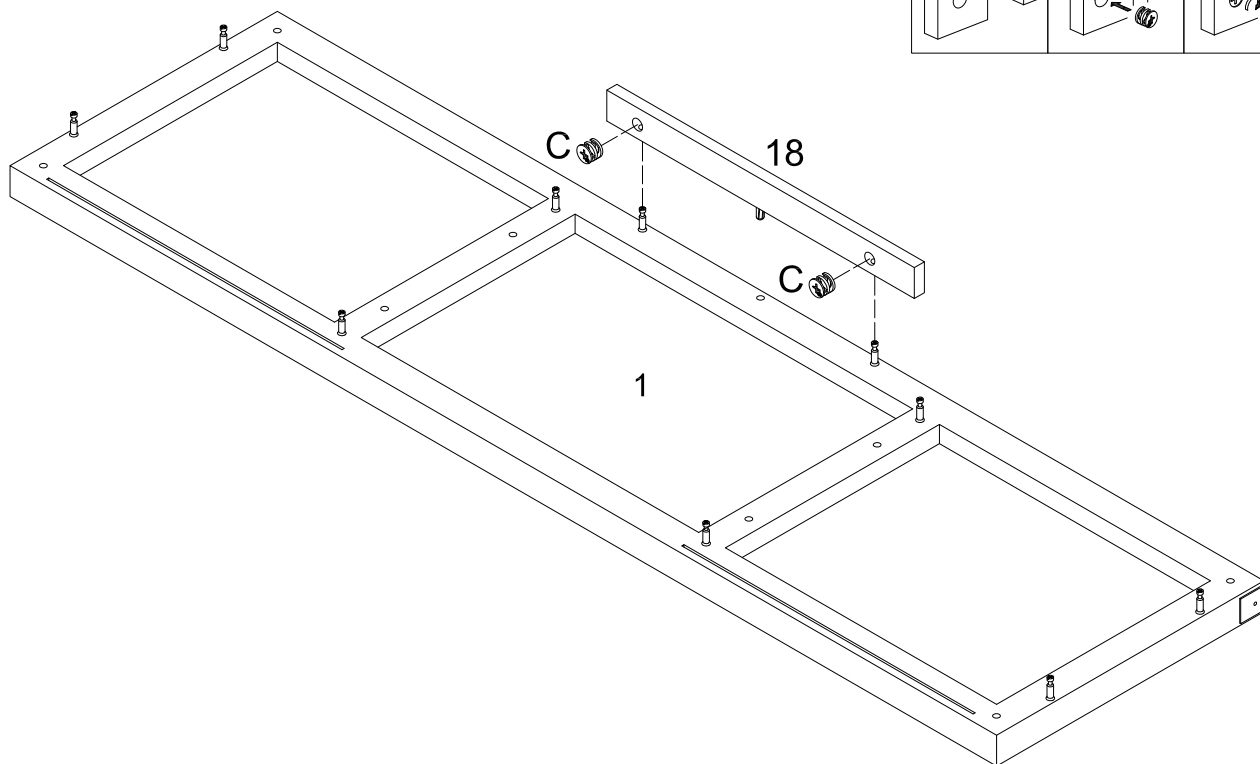
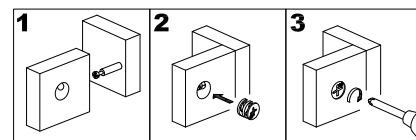
Use cam bolts (C) to connect parts (4) and (6) to part (2).

Step 11



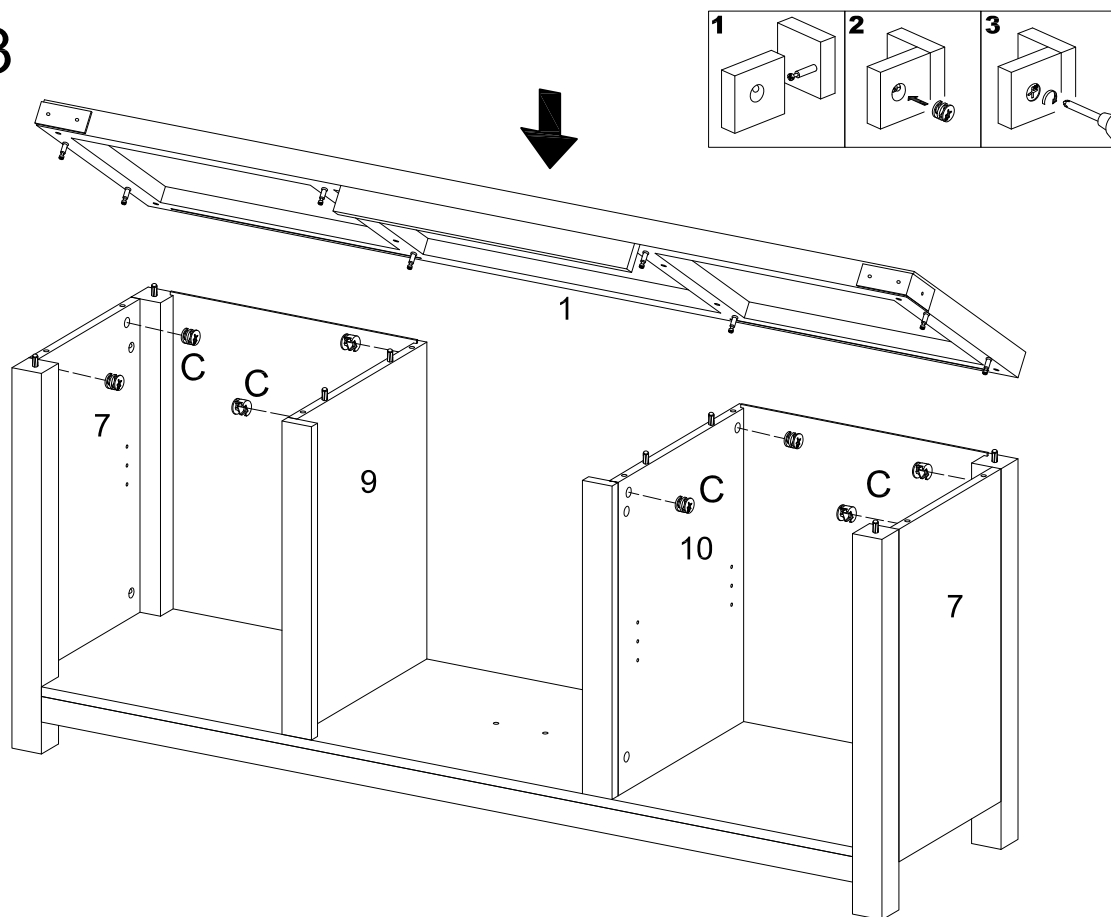
Slide parts (14) into designated area.

Step 12



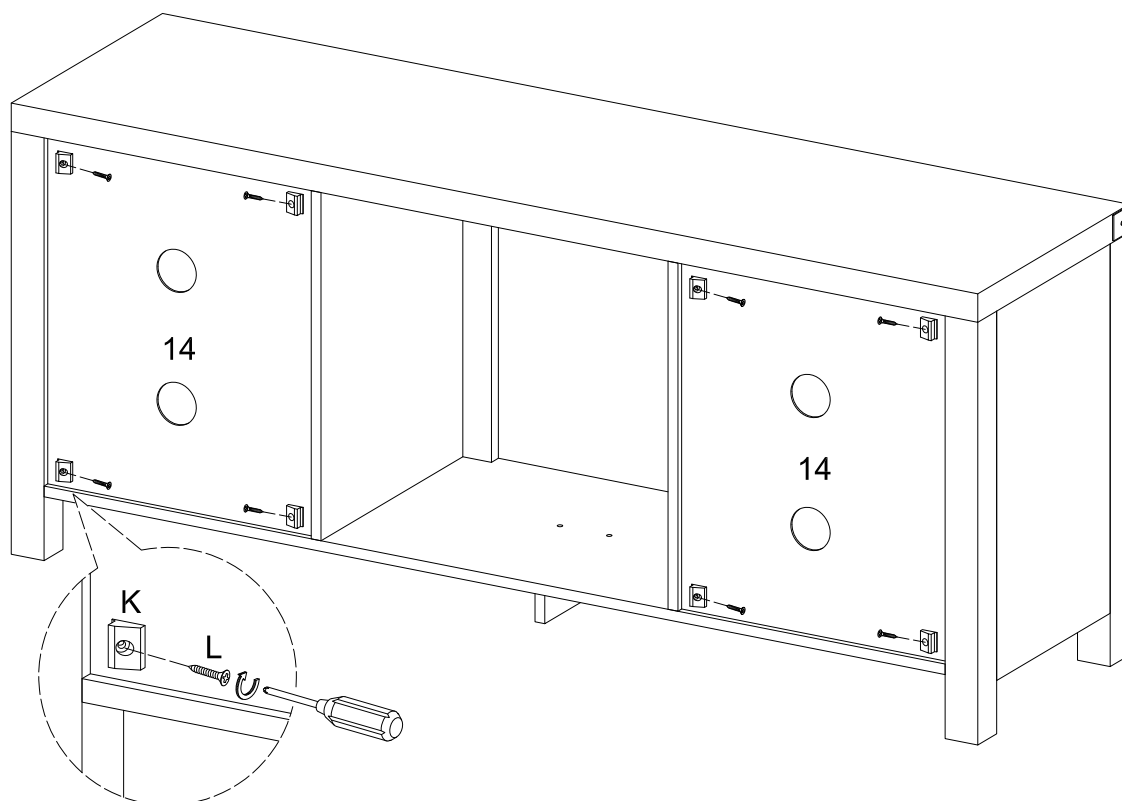
Use cam bolts (C) to connect part (18) to part (1).

Step 13



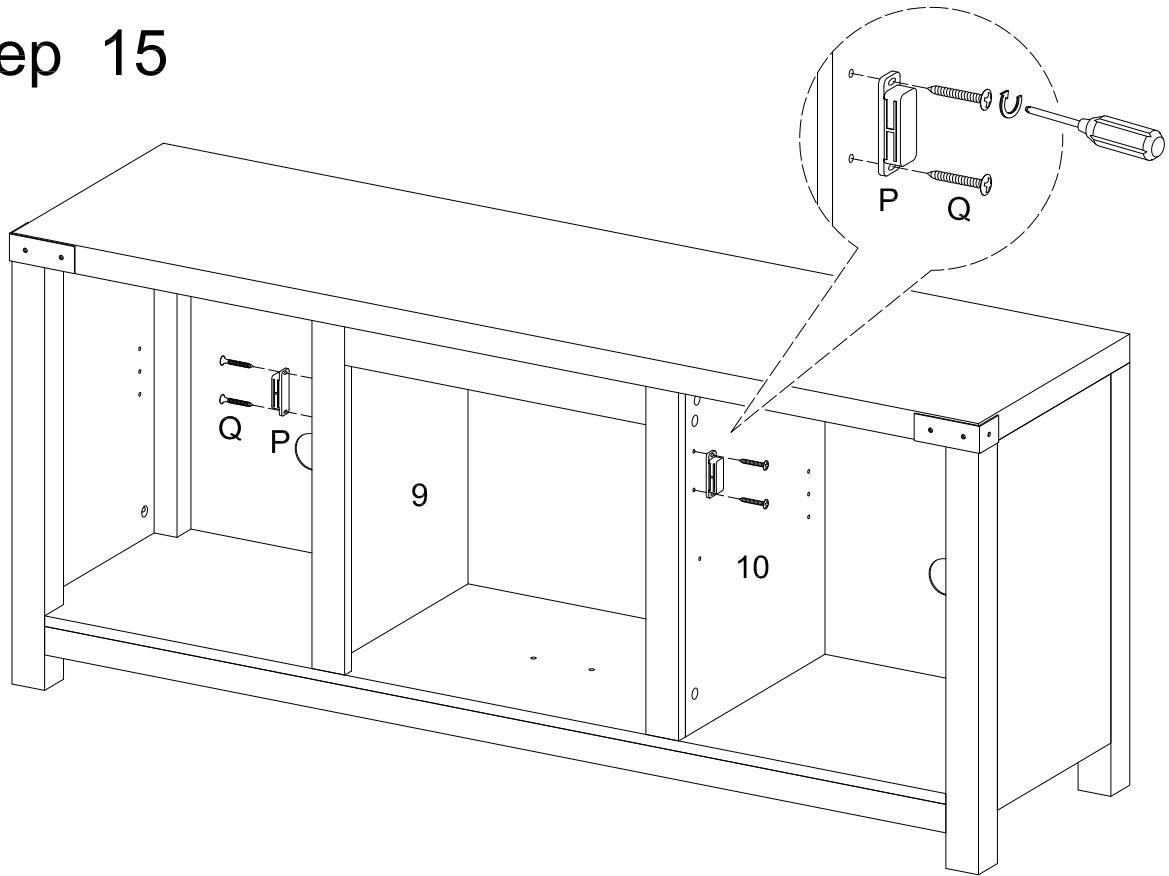
Use cam bolts to connect part (1) to the designated areas on parts (7), (8), and (10).

Step 14



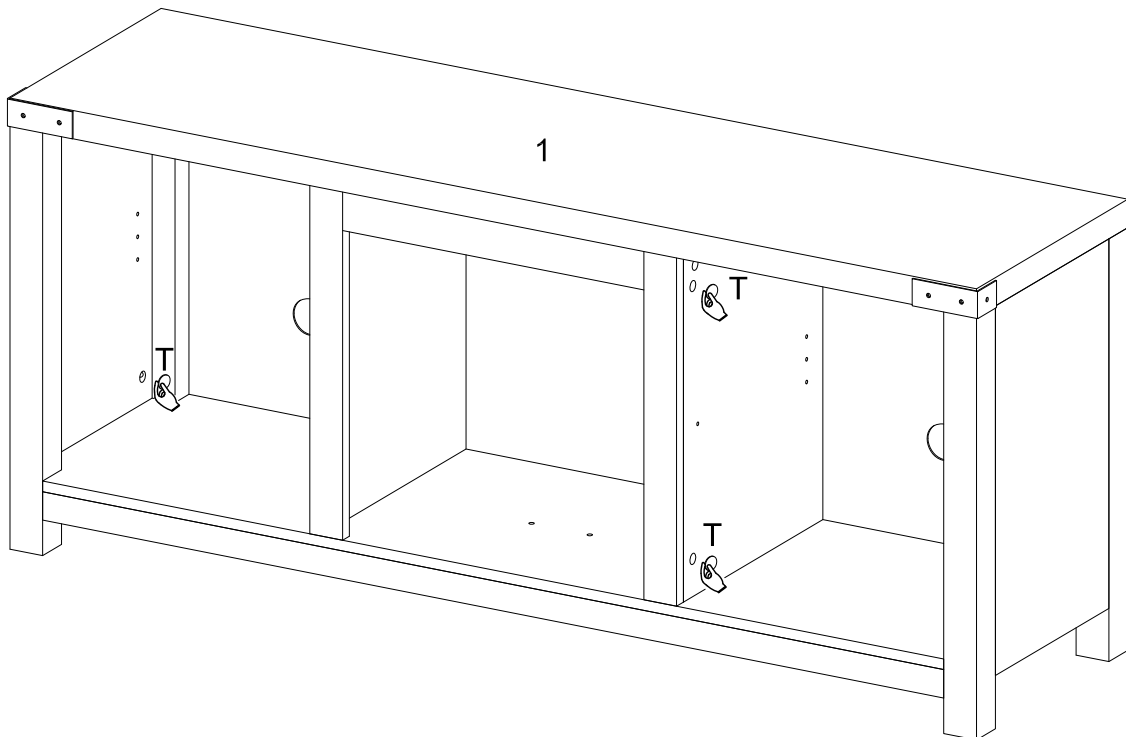
Attach the plastic wedges (K) by using the screws (L) onto the corners of parts (14).

Step 15



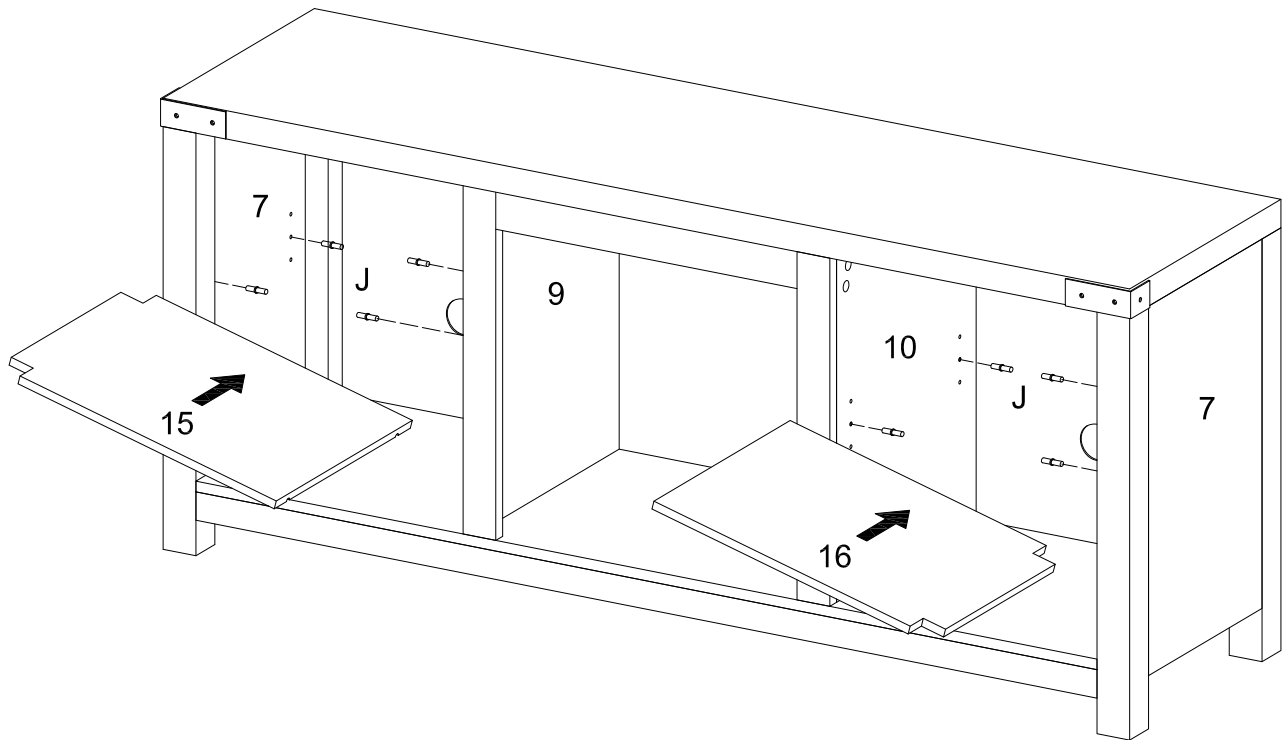
Attach doorstopper (P) to designated areas by using screws (Q).

Step 16



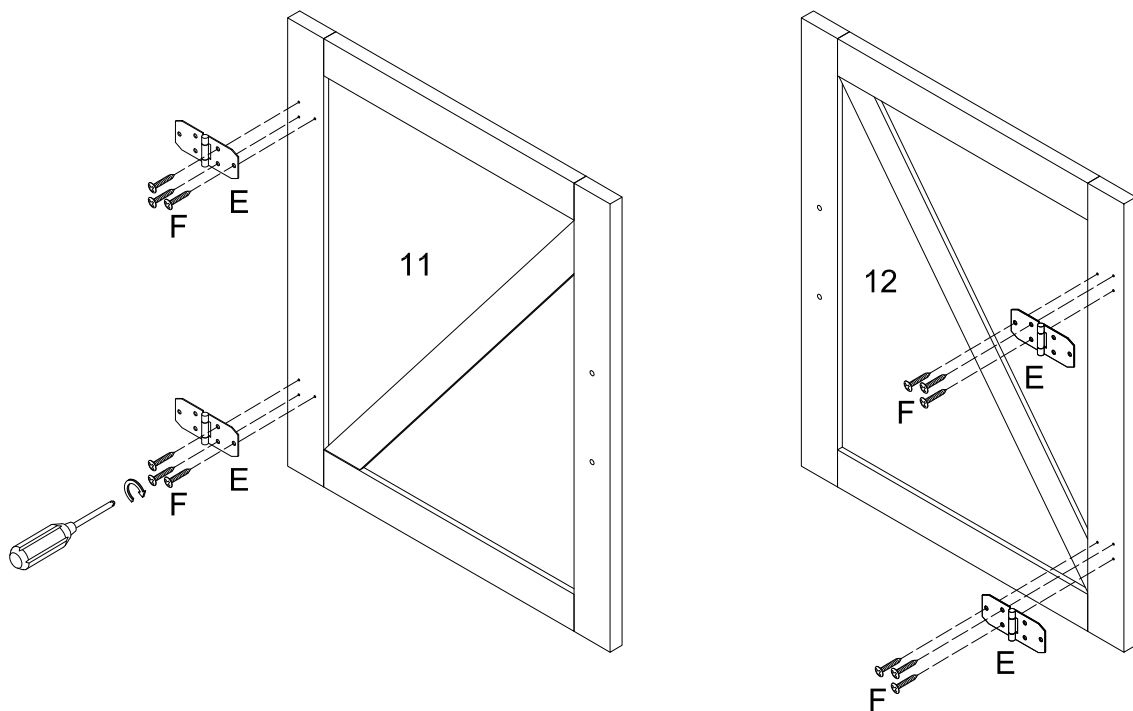
Place sticker (T) in designated areas.

Step 17



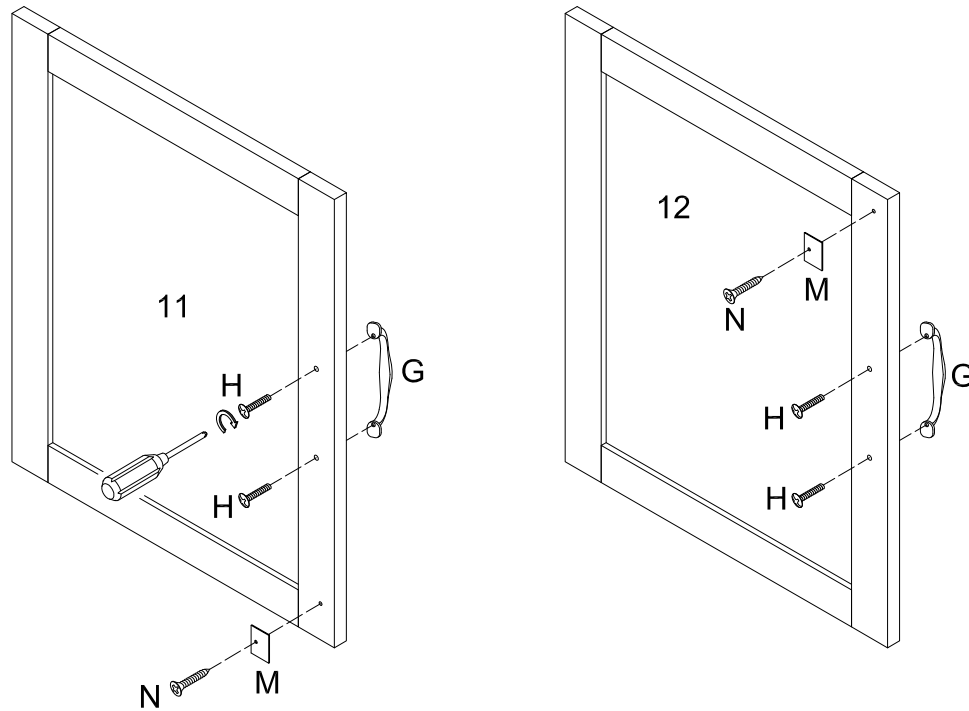
Slide part (15) between parts (7) and (9). Slide part (16) between parts (10) and (7). Attach shelf support pins (J).

Step 18



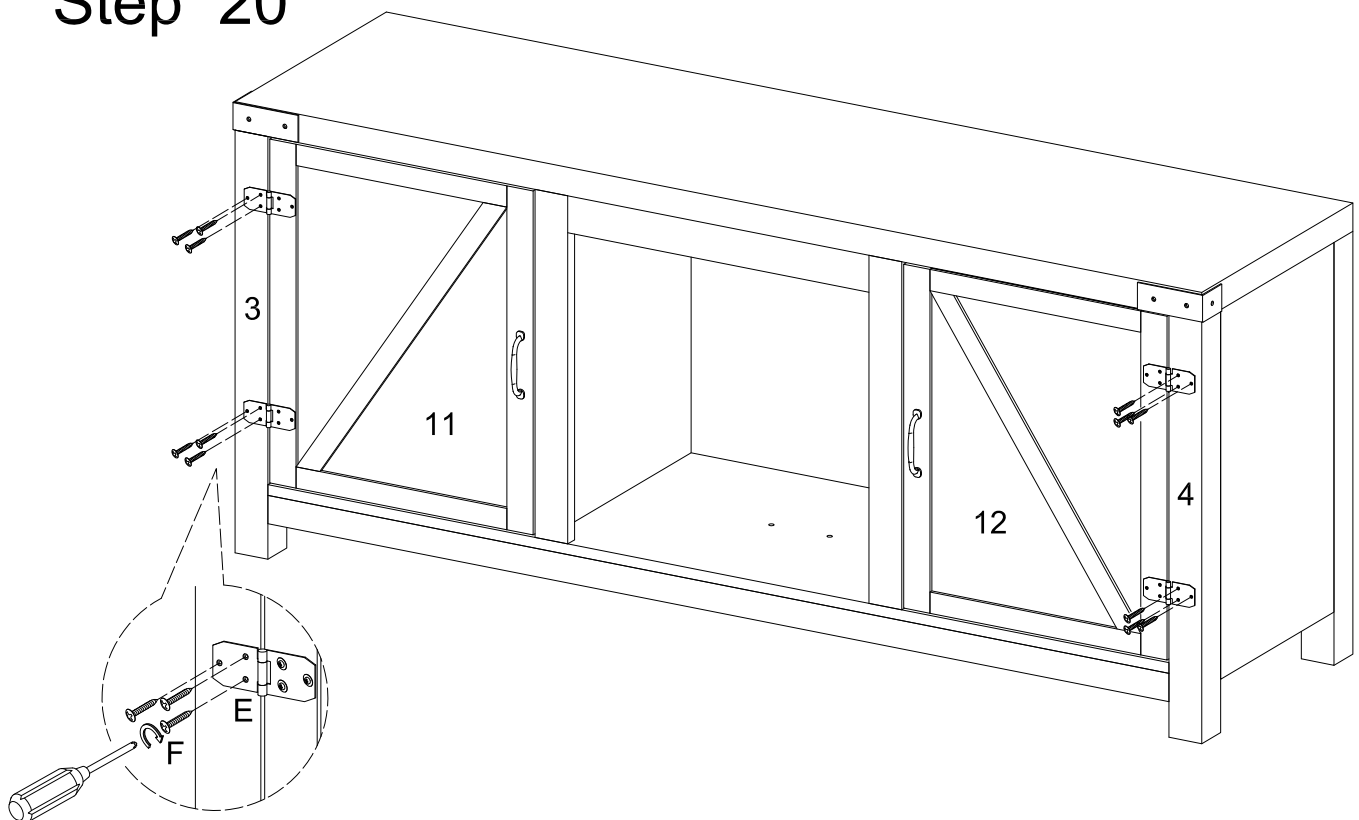
Attach hinges (E) to the doors (11,12) by using screws (F).

Step 19



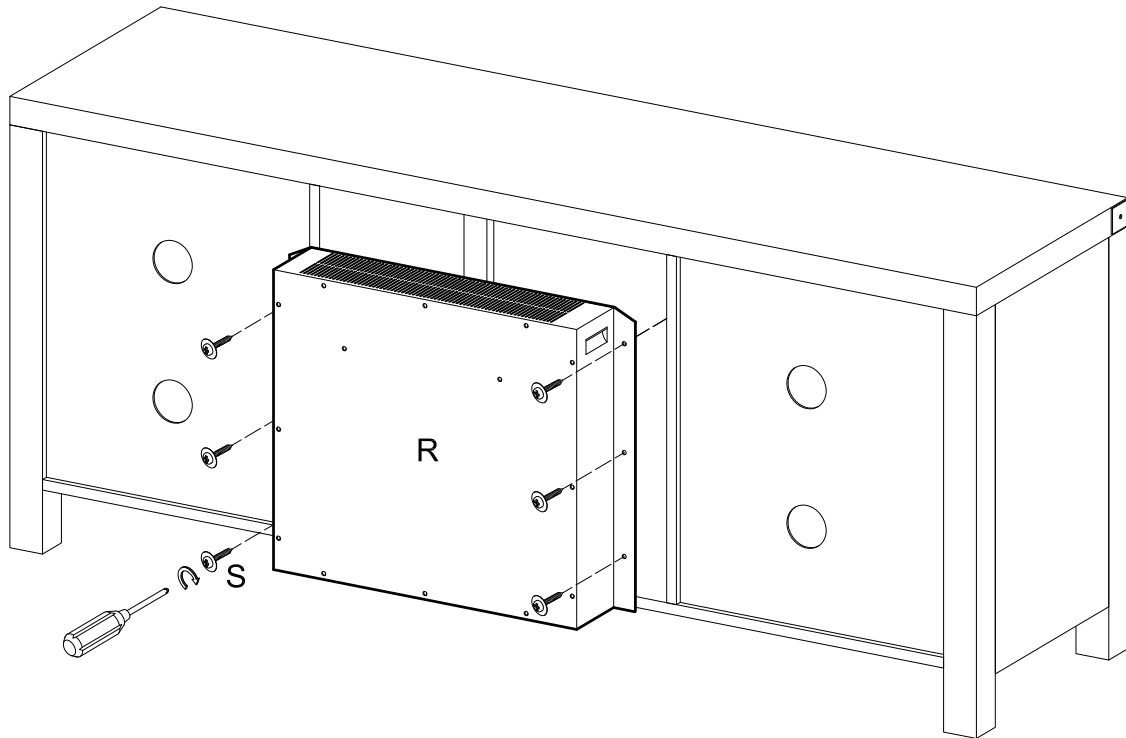
Attach handles (G) to the doors (11,12) by using bolts (H). Attach metal part (M) to the doors (11,12) by using screw (N).

Step 20



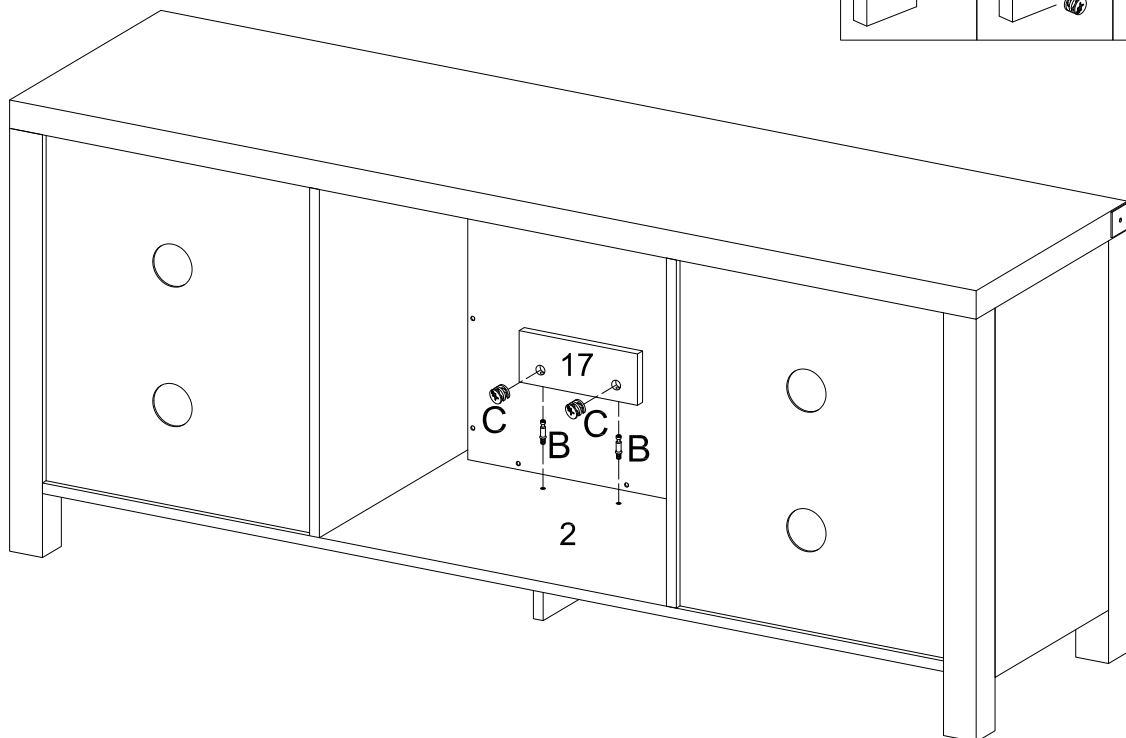
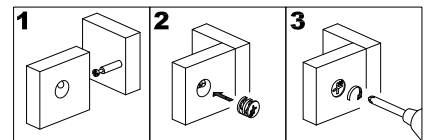
Attach hinges (E) by using screws (F).

Step 21



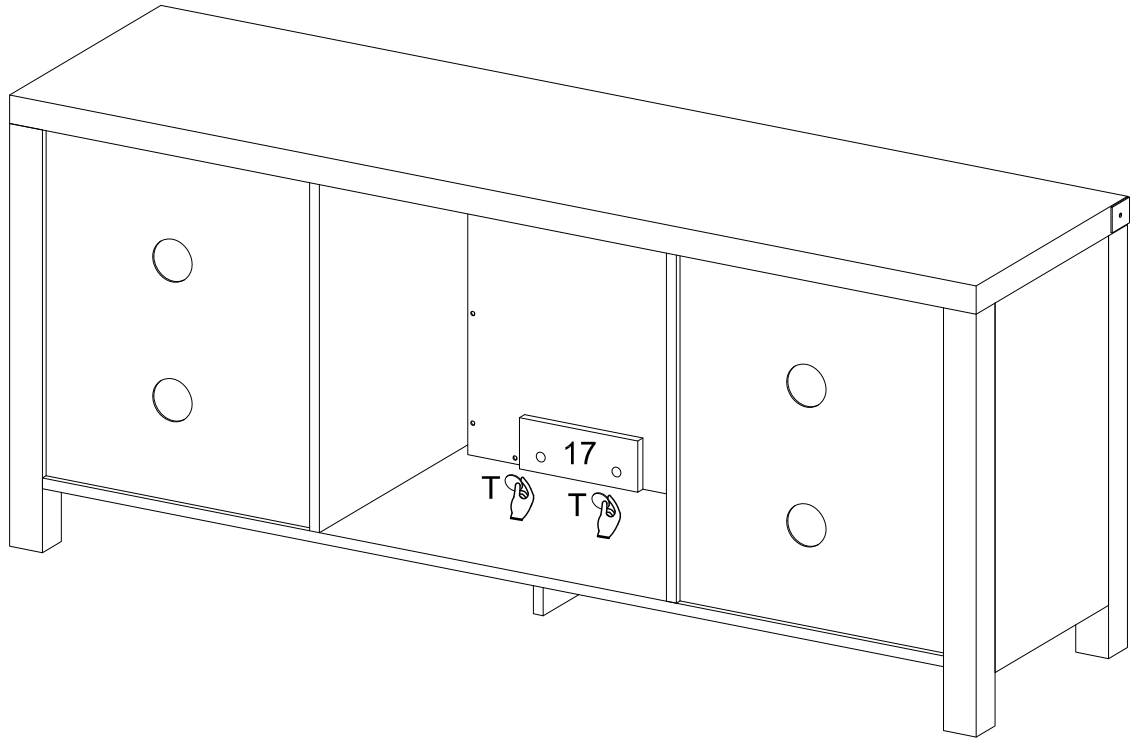
Insert fireplace (R) to the front by sliding it through the back of the unit and attach by using screws (S).

Step 22



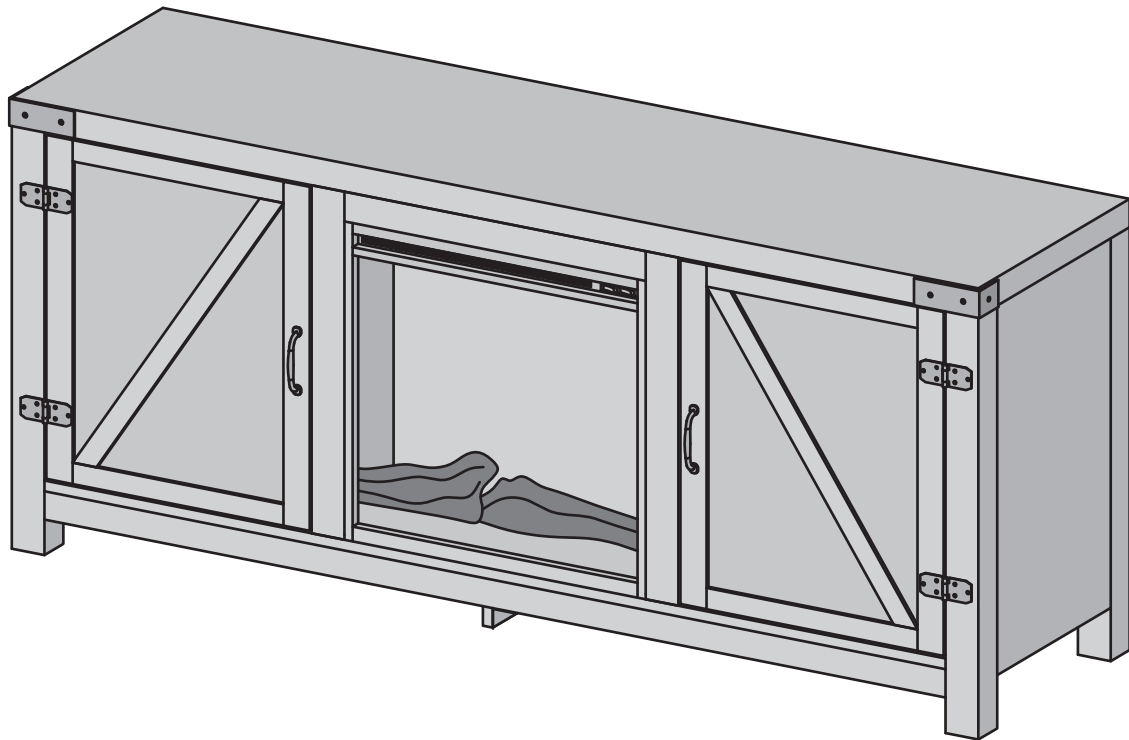
Attach part (17) above part (2) behind the fireplace unit by using cam bolts (C) and bolts (B).

Step 23



Place stickers (T) in designated areas onto part 17.

Step 24



Final Assembly