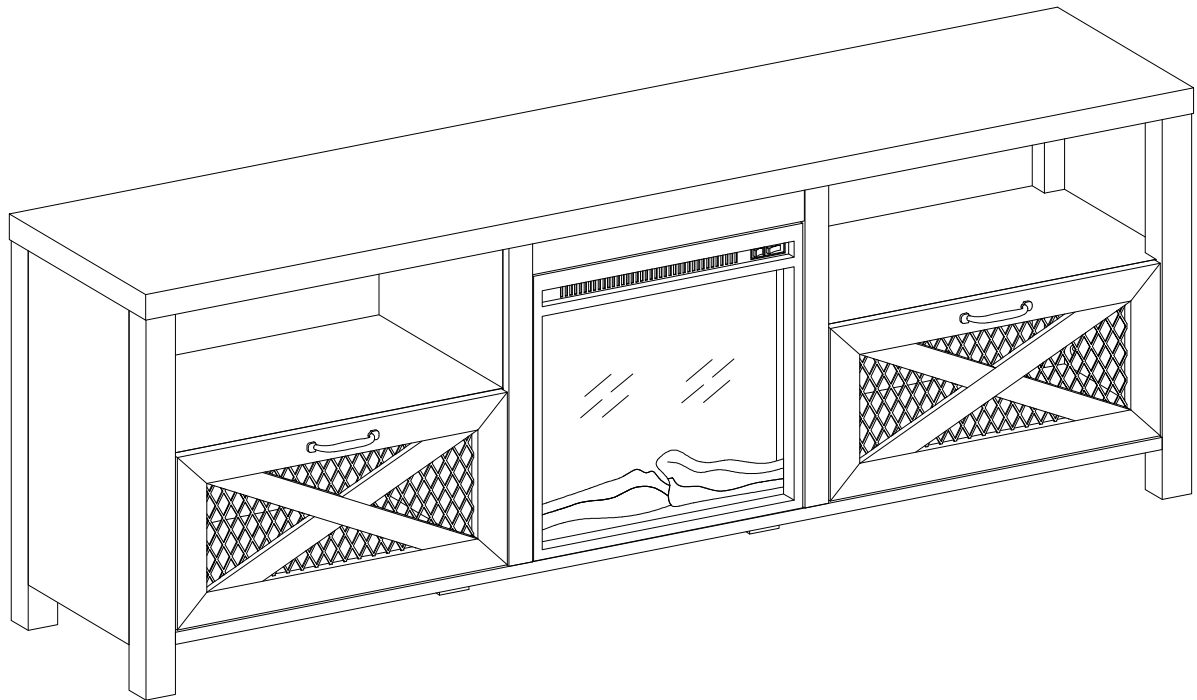


Item # : W70FPAB

Assembly Instructions



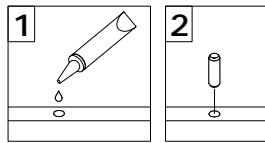
Walker Edison®

Please visit our website for the most current instructions, assembly tips, report damage, or request parts. www.walkeredison.com

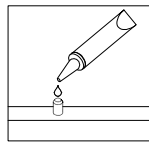
Revised 20/02/2019 (E)

General Assembly Guidelines

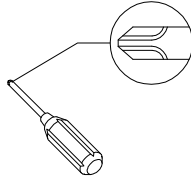
- I. Ensure that all parts and hardware are available before beginning assembly.
- II. Follow each step carefully to ensure the proper assembly of this product.
- III. Two people are recommended for ease in the assembly of this product.
- IV. The three main types of hardware used to assemble this product are : wood dowels , screws and bolts.
- V. The provided glue is to secure wood dowels in place . When first inserting dowels , locate the appropriate hole for the dowel , place a small amount of glue in the hole and insert the dowel . Wipe away excess glue immediately.



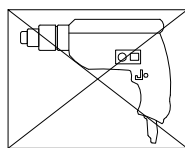
In future assembly steps when dowels are necessary to attach assembly parts together , place a small amount of glue on the end of the dowel before attaching parts together . Wipe away excess glue immediately.



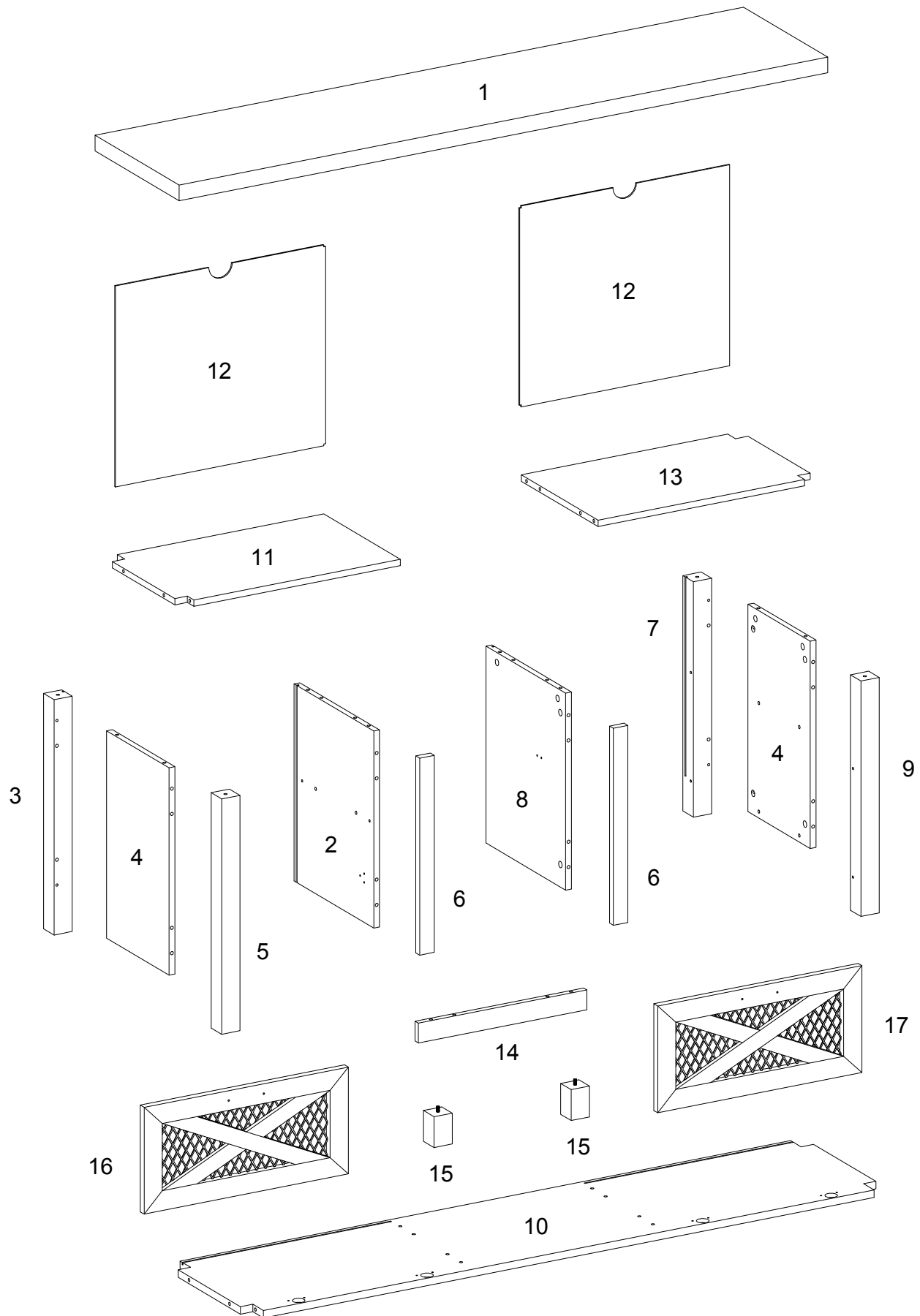
- VI. A Phillips head screwdriver is required for the assembly of this product .




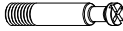


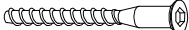








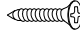
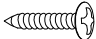
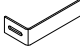


- VII. Power tools should not be used to assemble this product .

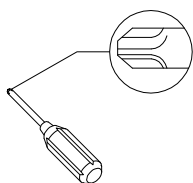


Parts List



Hardware List

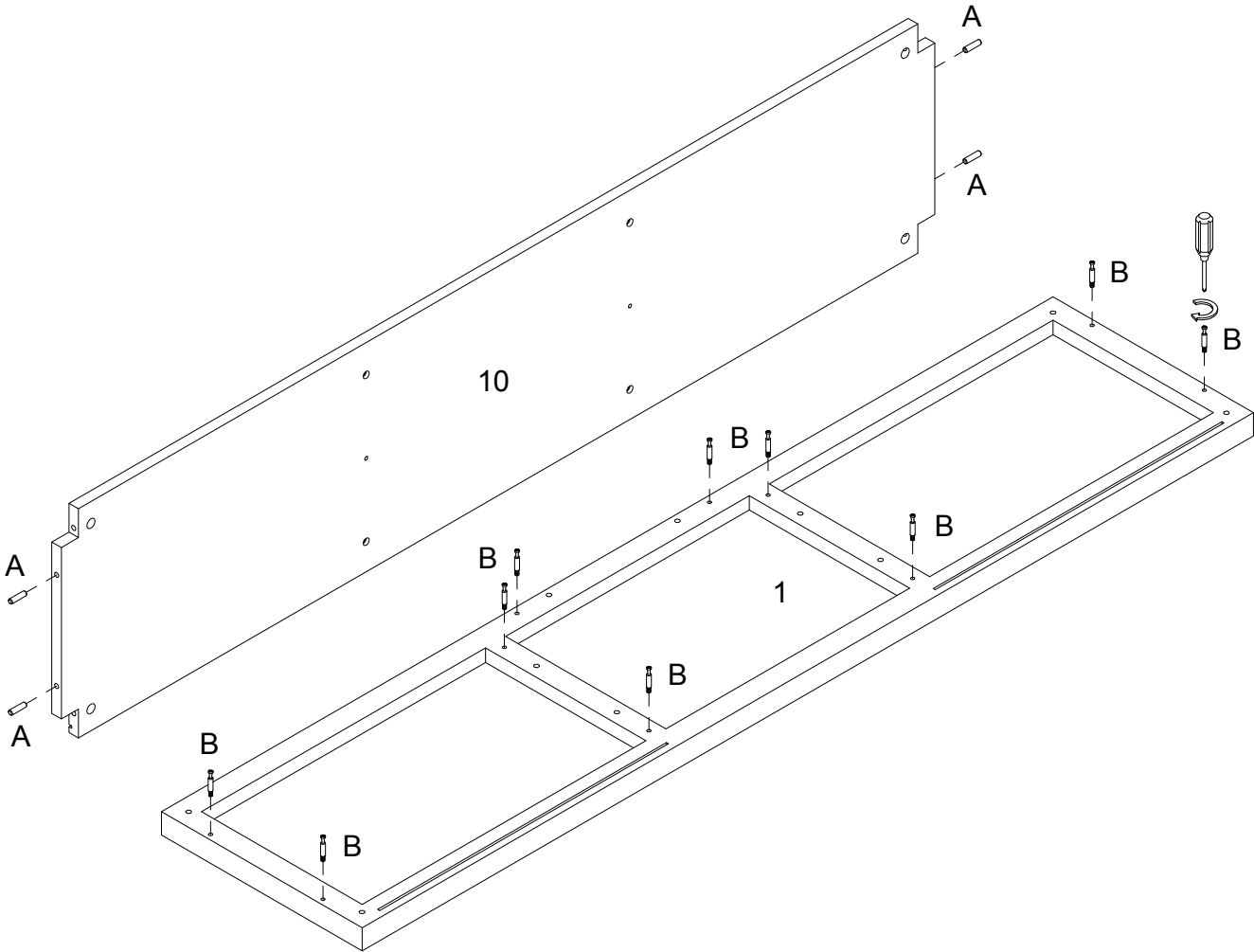
A		Ø8x30mm	Wooden dowel	38 pcs
B		Ø6x35mm	Cam bolt	34 pcs
C		Ø15x11mm	Cam lock	34 pcs
D		Ø30mm	Sticker	34 pcs
E		Ø6x50mm	Screw	4 pcs
F		M 4	Hex Key	1 pcs
G			West hinge	4 pcs
H			Knob	2 pcs
J		Ø4x22mm	Bolt	4 pcs
K		Ø4x15mm	Screw	8 pcs
L		Ø3x15mm	Screw	18 pcs
M			Door hinge	2 pcs
N			Plastic wedge	8 pcs
P		Ø3x17mm	Screw	8 pcs
Q		Ø4x15mm	Screw	4 pcs
R			L shape bracket	2 pcs
S			Glue tube	2 pcs
T		F18V66L	Fireplace Insert	1 pc



Philips head screwdriver required for assembly
(not included)

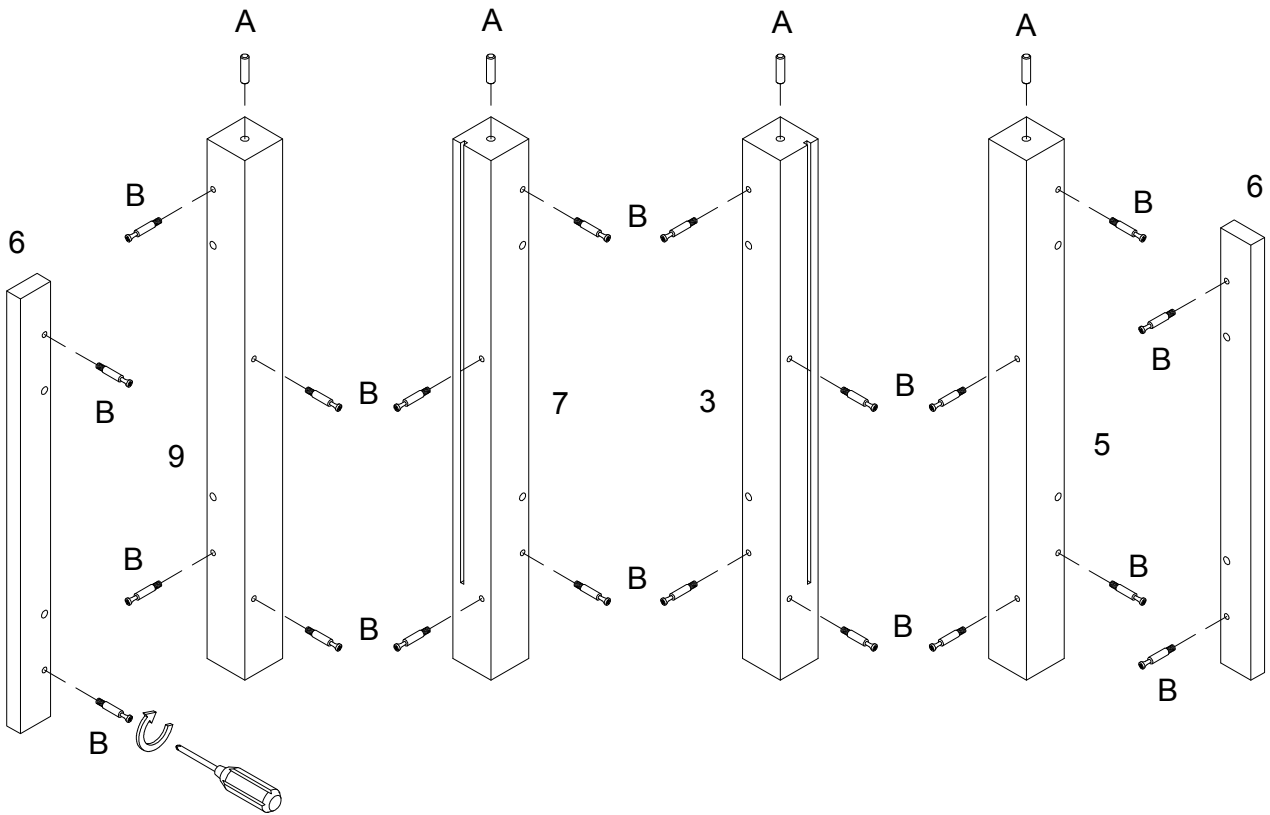
*The hardware quantities listed above are required for proper assembly.
Some extra hardware may also have been included.*

Step 1



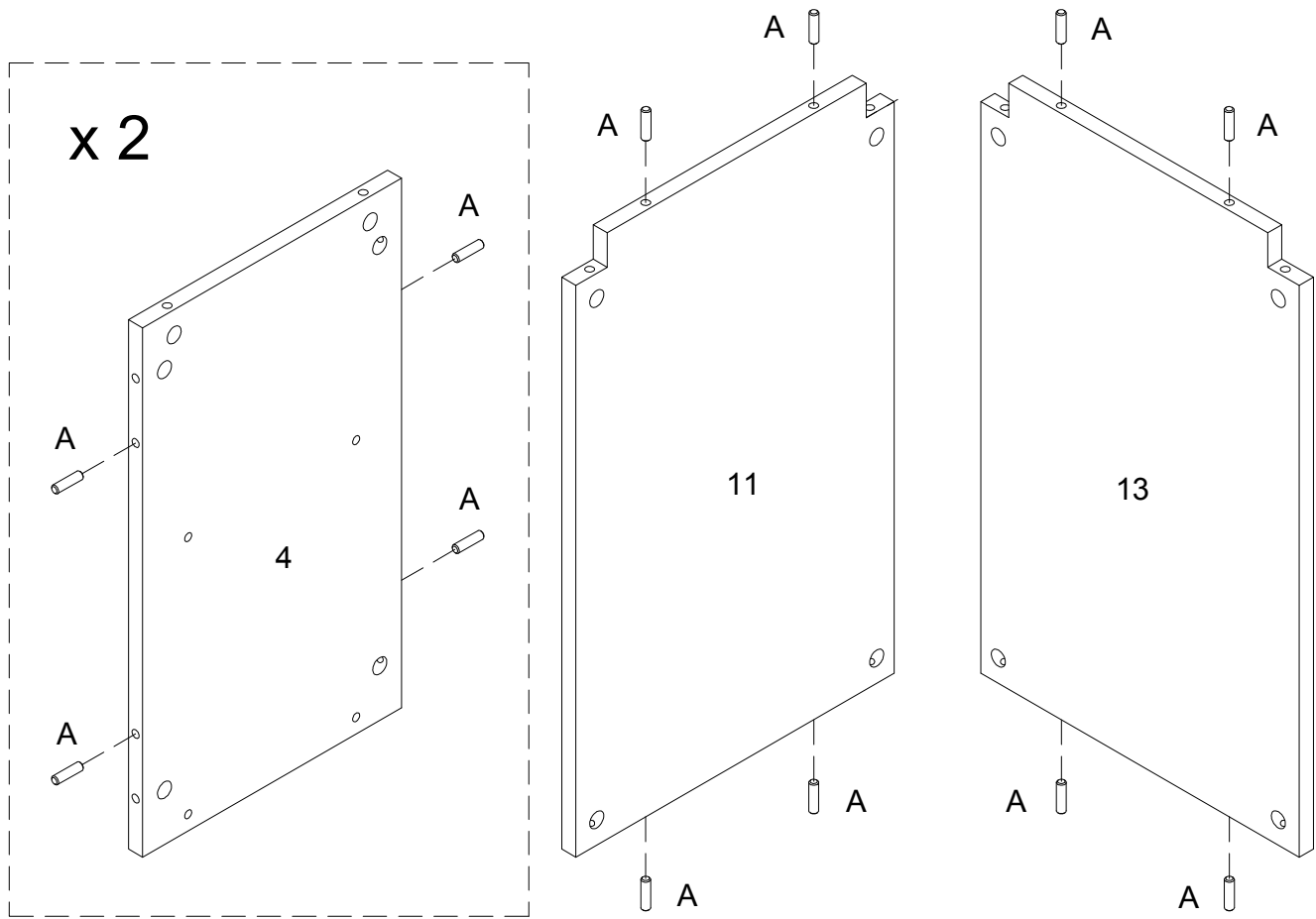
Insert wooden dowel (A) into part (10), secure cam bolt (B) into part (1) with Philips head screwdriver as per diagram.

Step 2



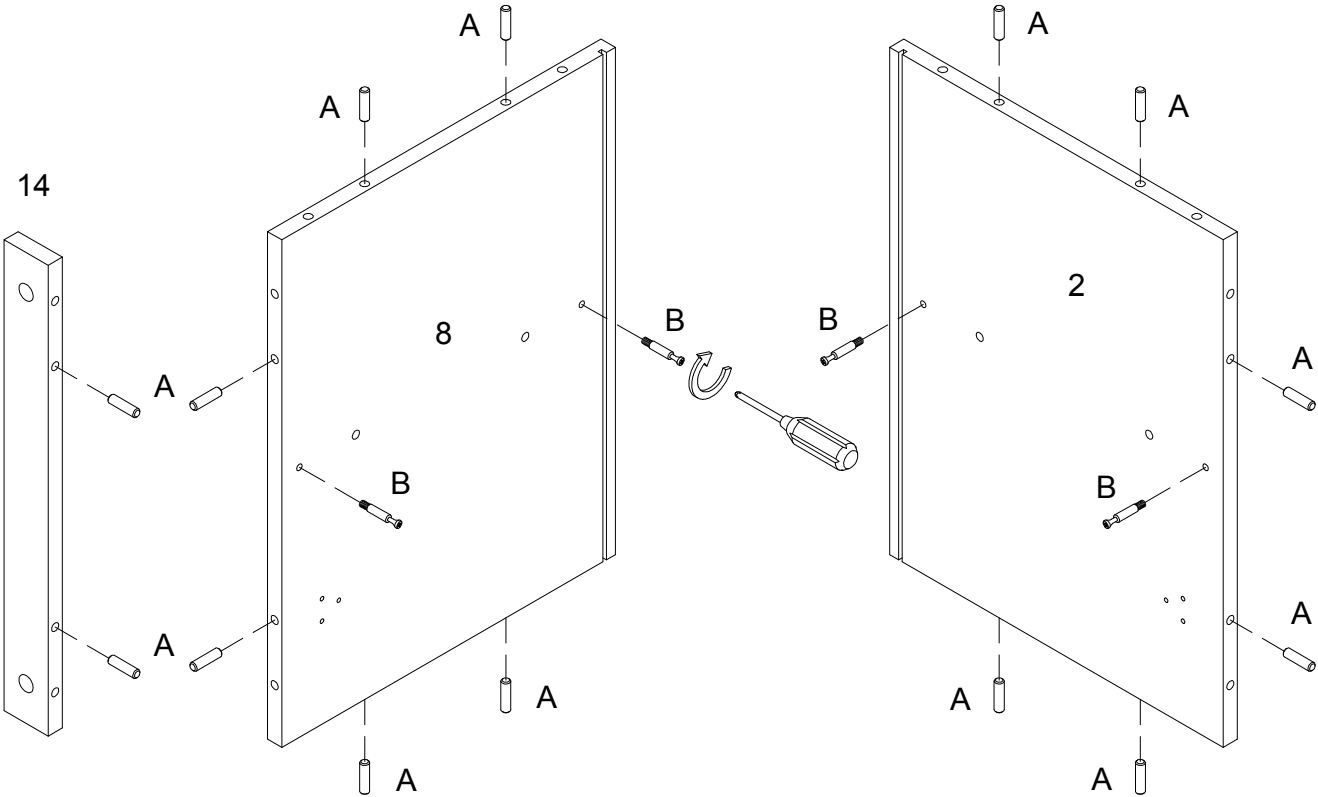
Insert wooden dowel (A) into part (9, 3, 7, 5), secure cam bolt (B) into part (6, 9, 7, 3, 5) with Philips head screwdriver as per diagram.

Step 3



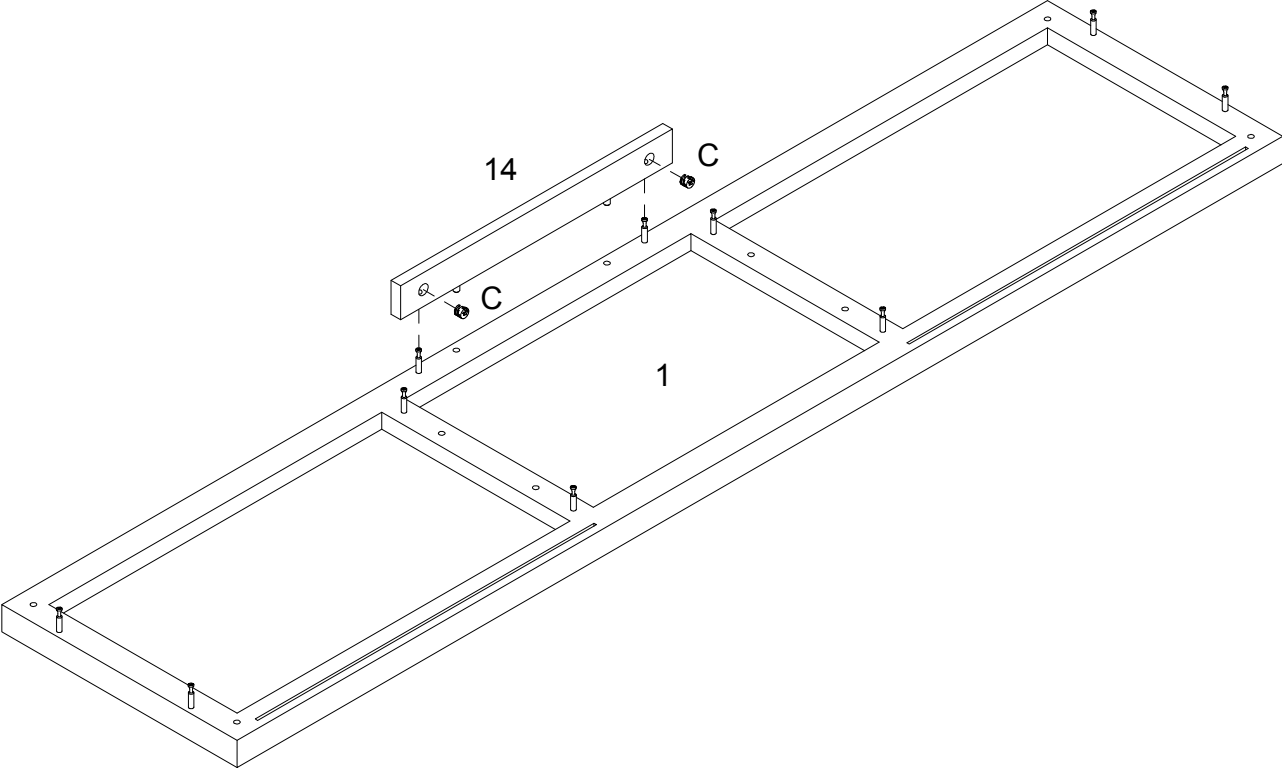
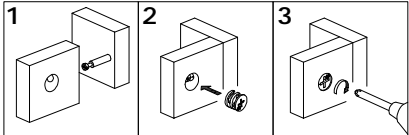
Insert wooden dowel (A) into both parts (4), then insert wooden dowel (A) into part (11, 13) as per diagram.

Step 4



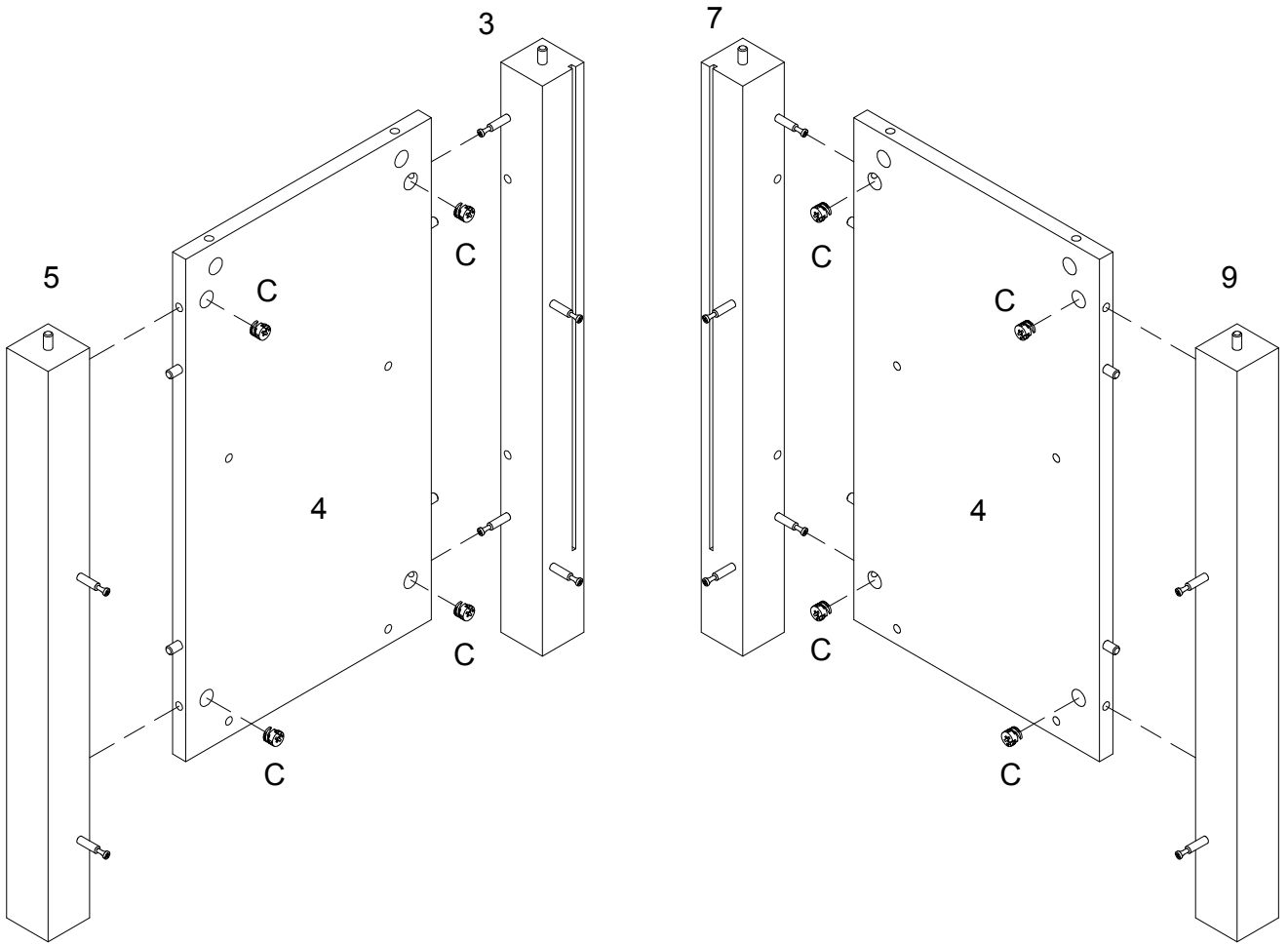
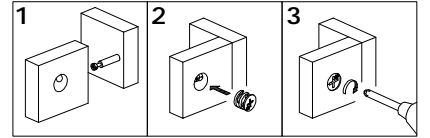
Insert wooden dowel (A) into part (14, 8, 2) as per diagram, secure cam bolt (B) into part (8, 2) with Philips head screwdriver as per diagram.

Step 5



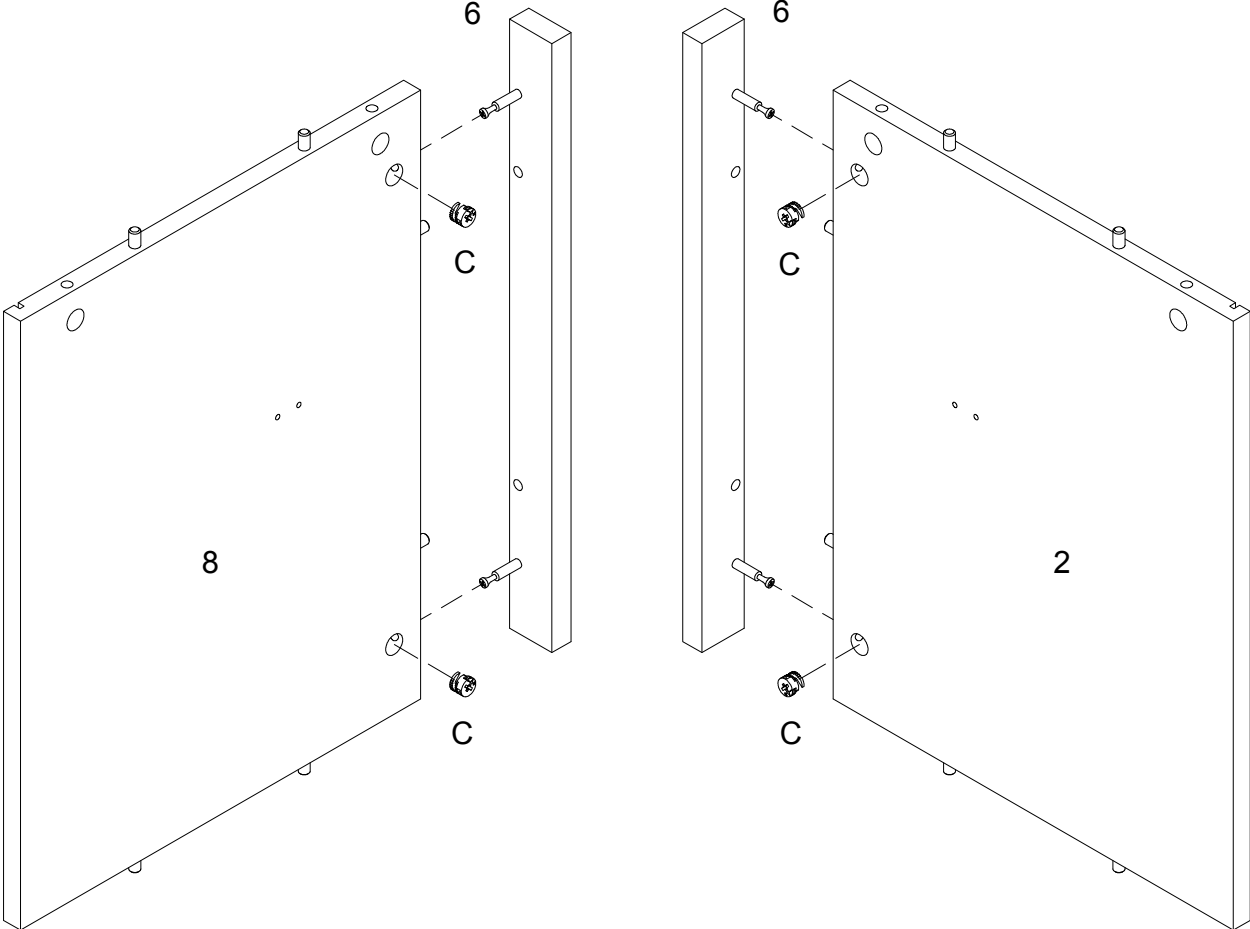
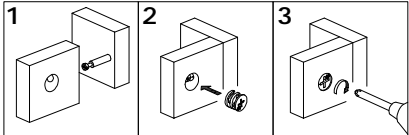
Secure part (14) to part (1) using cam lock (C) with Philips head screwdriver as per diagram.

Step 6



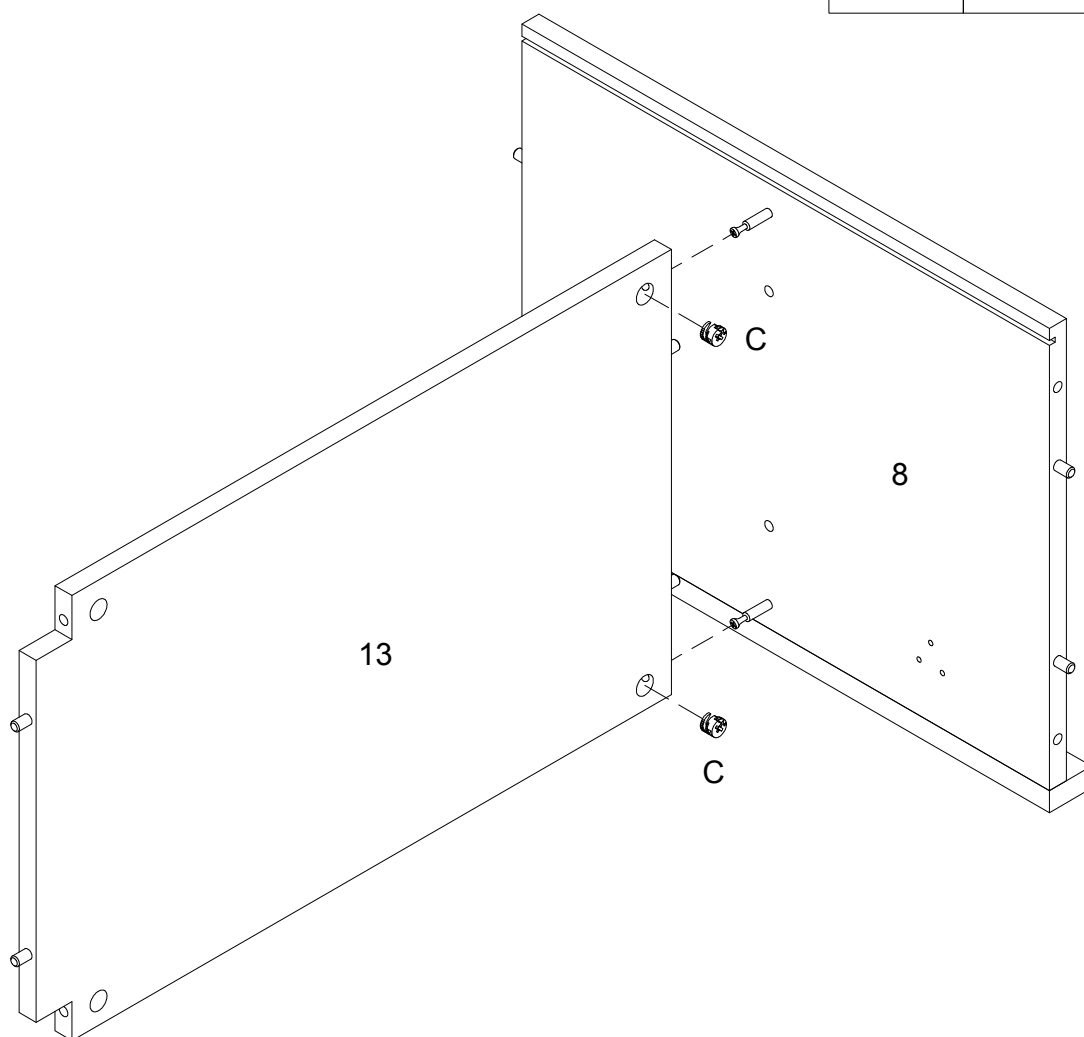
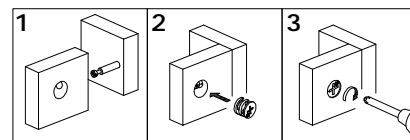
Secure part (3, 5, 7, 9) to part (4) using cam lock (C) with Philips head screwdriver as per diagram.

Step 7



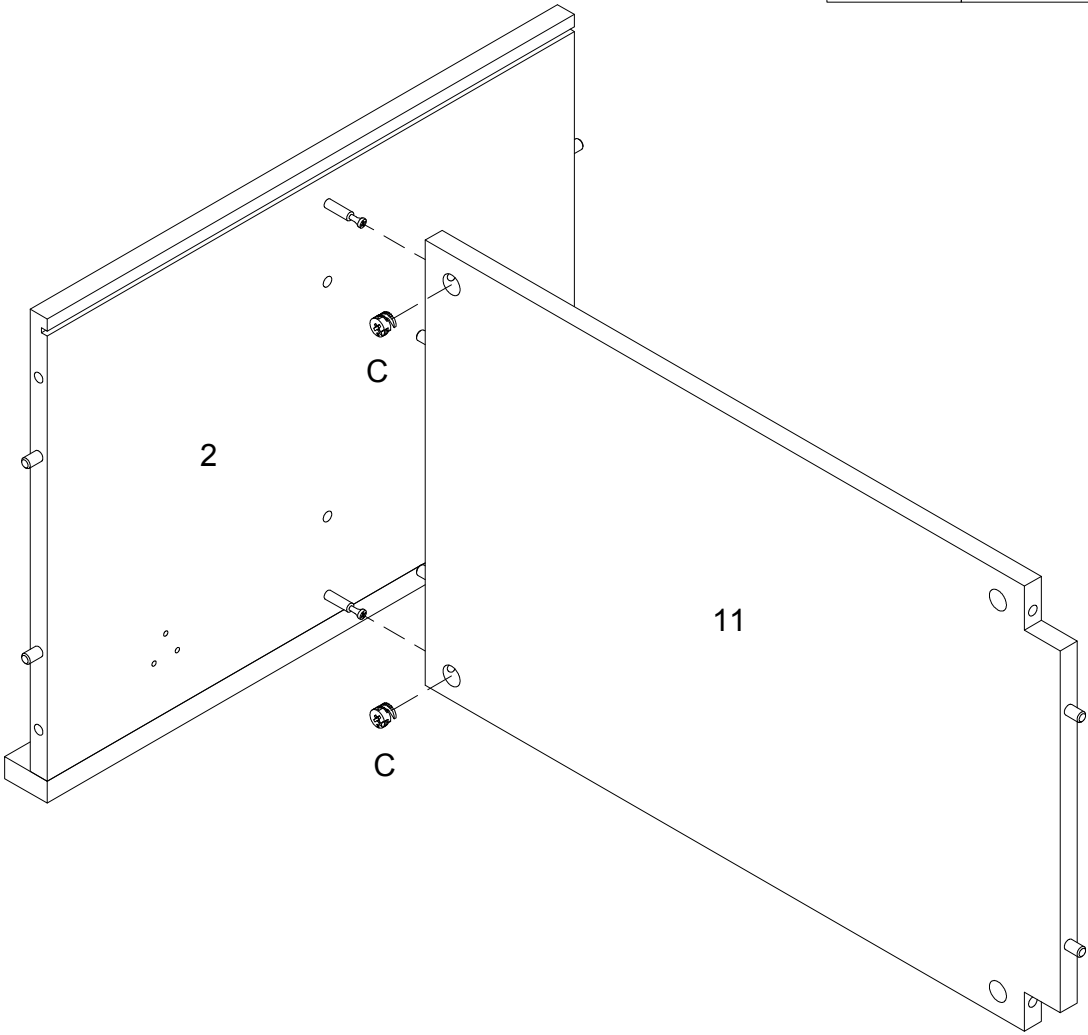
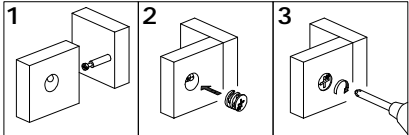
Secure part (6) to part (2, 8) using cam lock (C) with Philips head screwdriver as per diagram.

Step 8



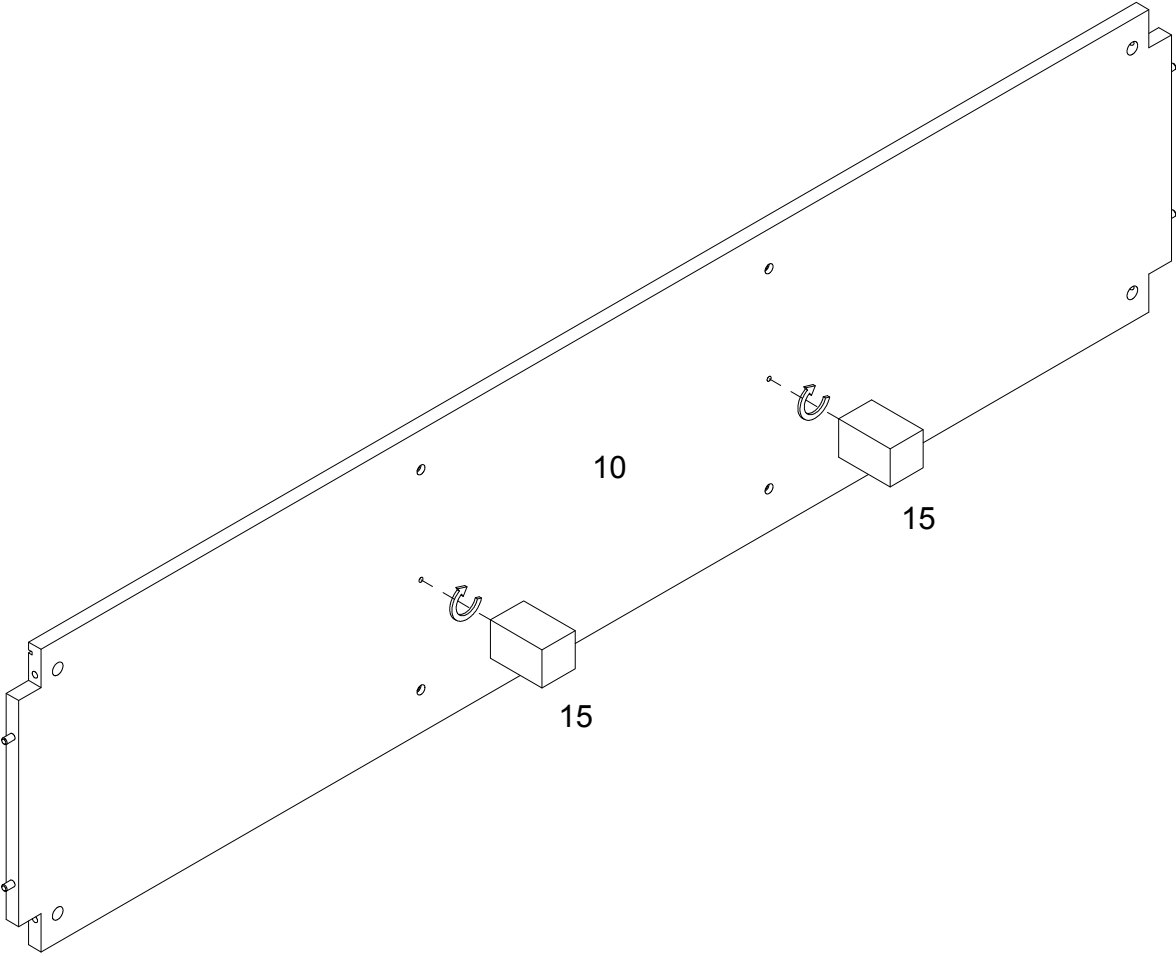
Secure part (13) to part (8) using cam lock (C) with Philips head screwdriver as per diagram.

Step 9



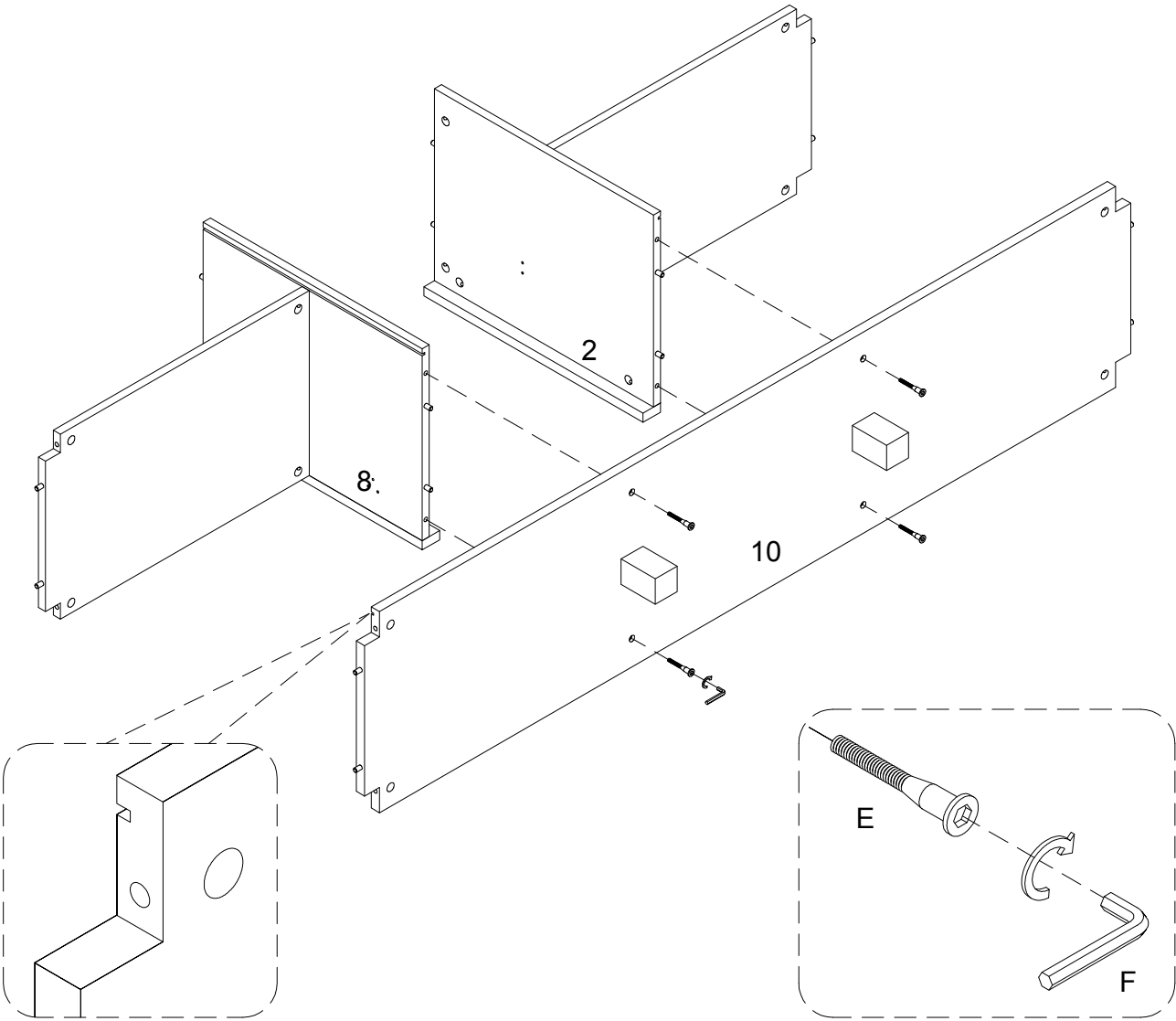
Secure part (11) to part (2) using cam lock (C) with Philips head screwdriver as per diagram.

Step 10



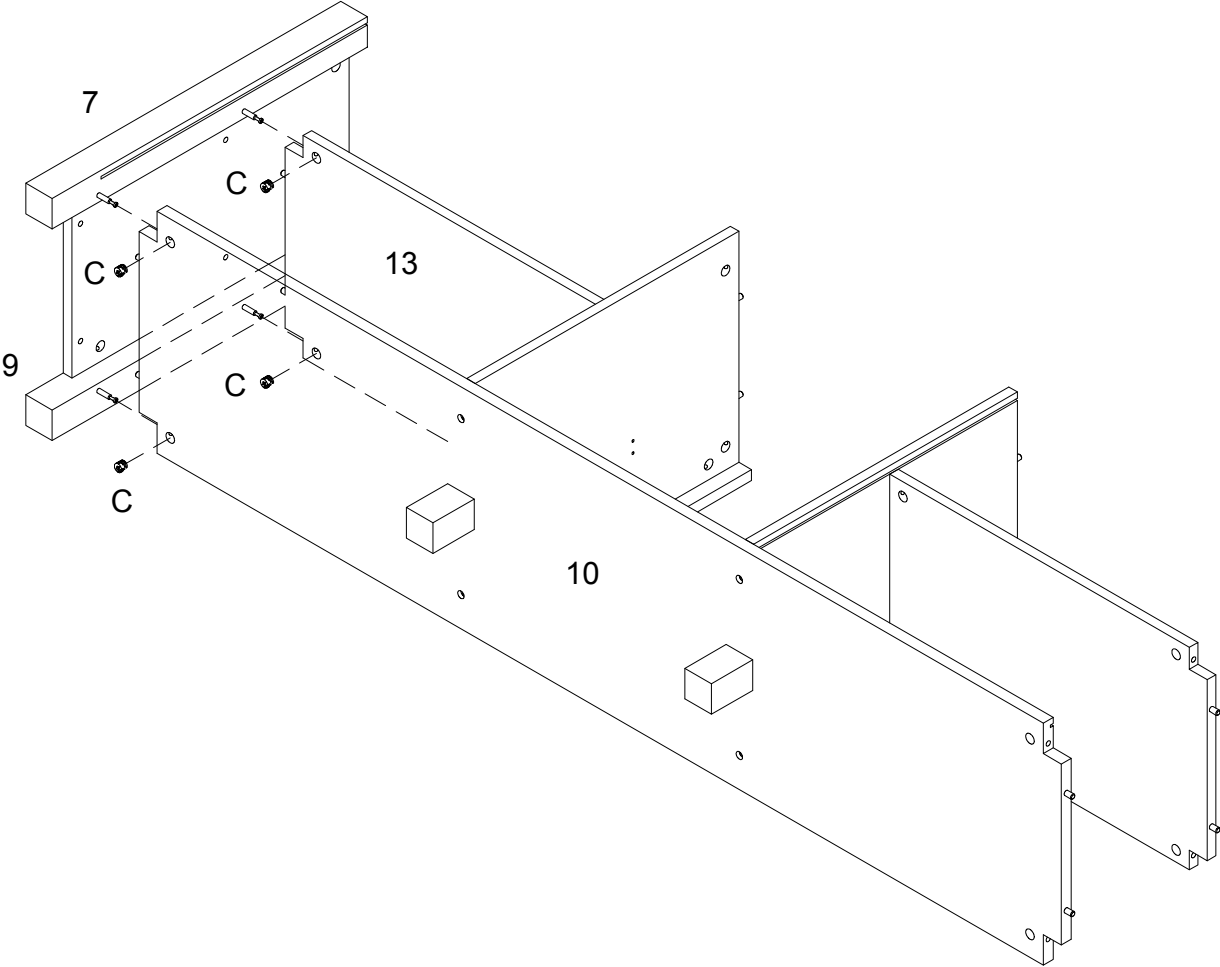
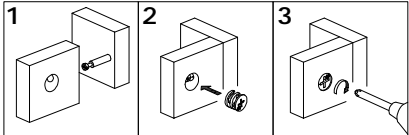
Attach part (15) to part (10).

Step 11



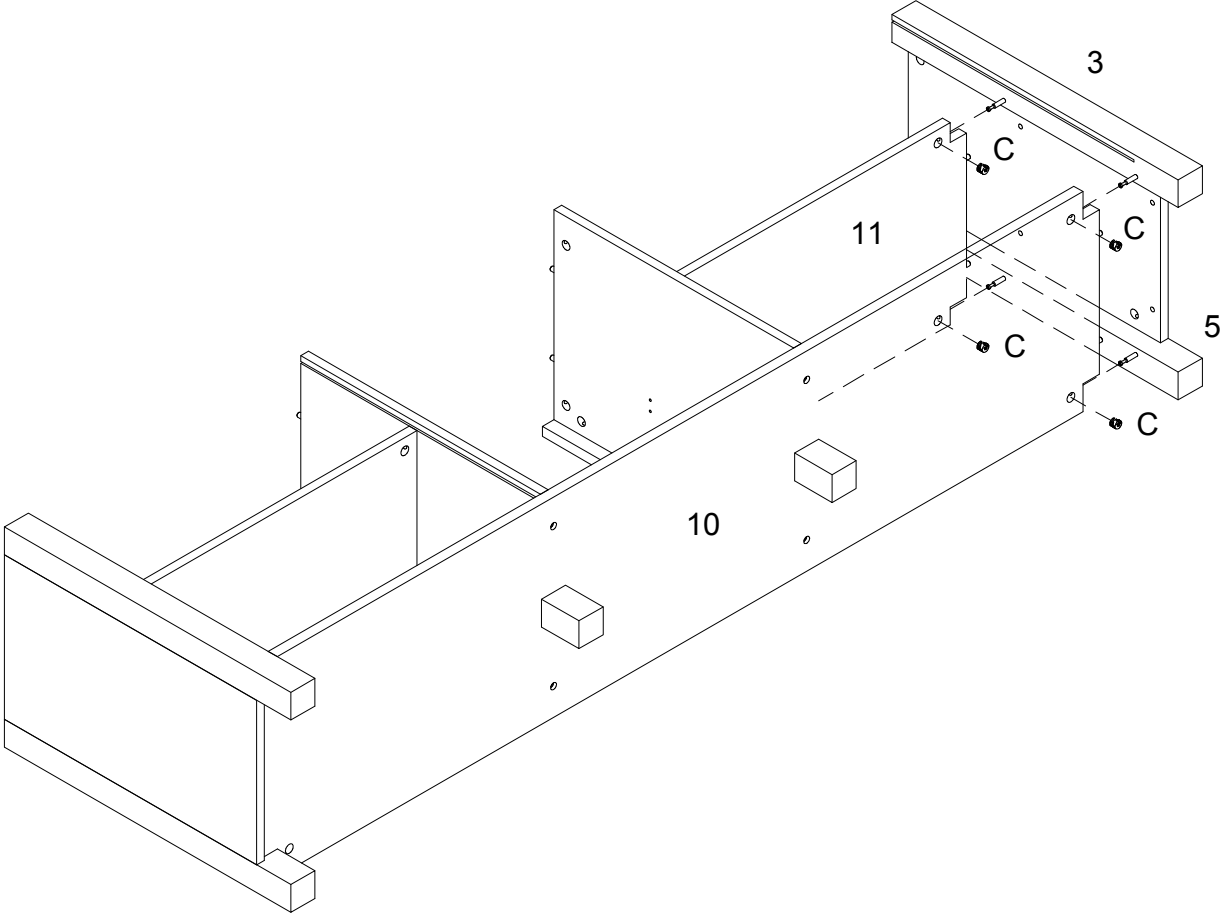
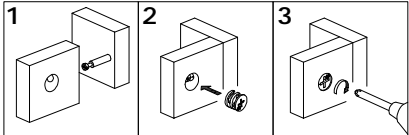
Attach part (2, 8) to part (10) in place, secure them using screw (E) with hex key (F).

Step 12



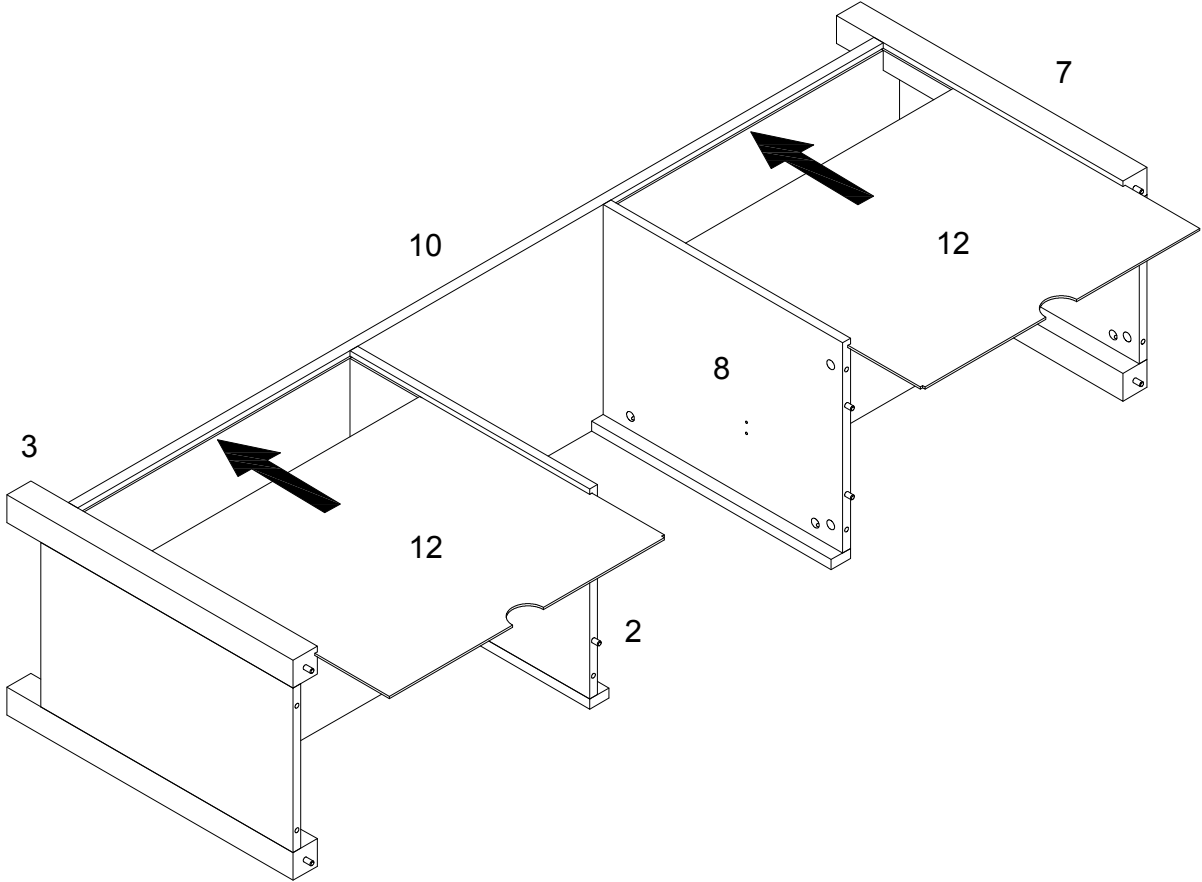
Attach part (7, 9) to part (10, 13) using cam lock (C) with Philips head screwdriver as per diagram.

Step 13



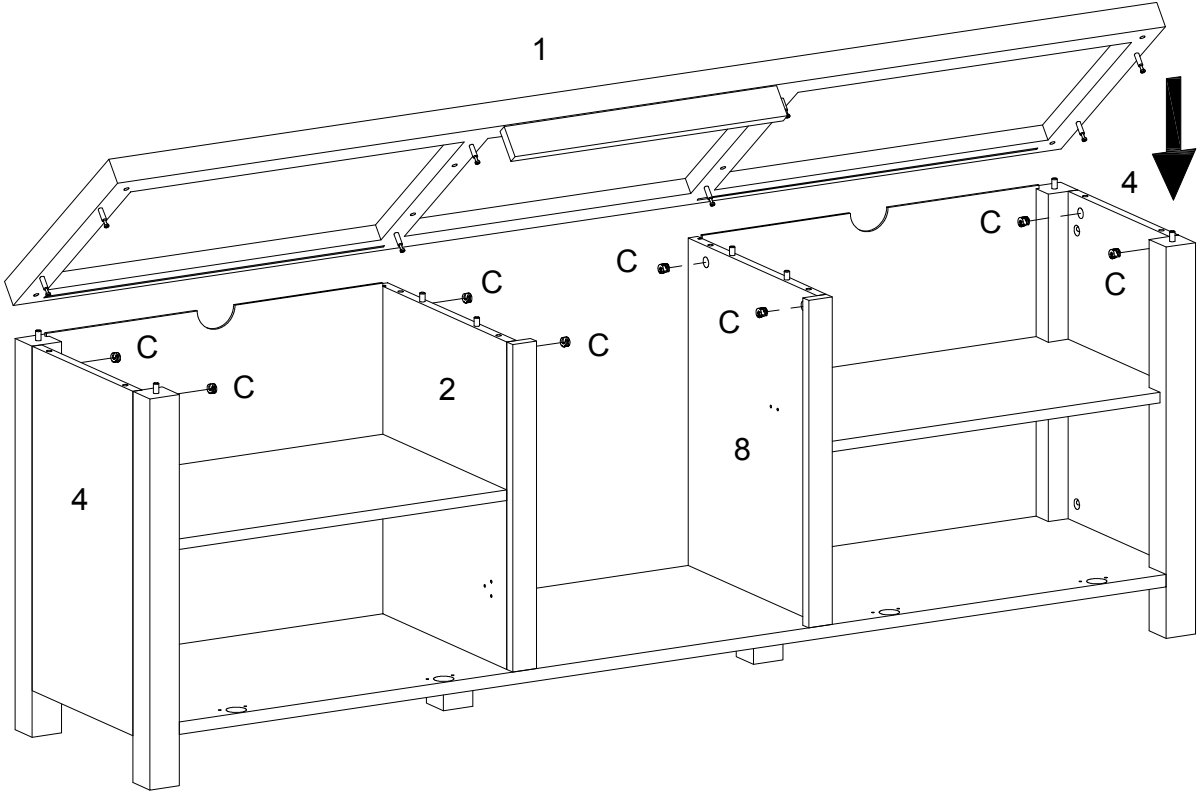
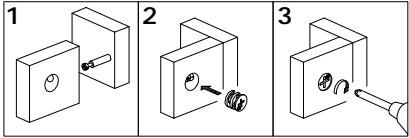
Attach part (3, 5) to part (10, 11) using cam lock (C) with Philips head screwdriver as per diagram.

Step 14



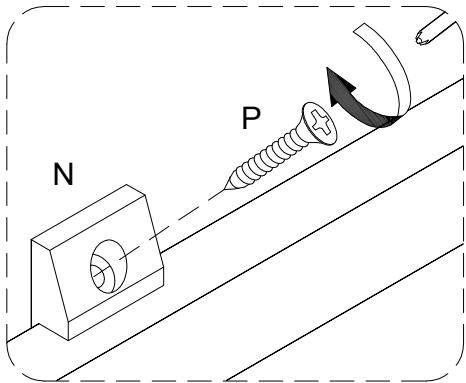
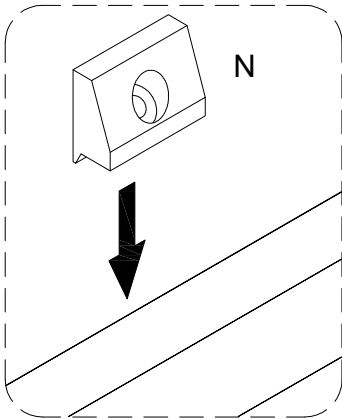
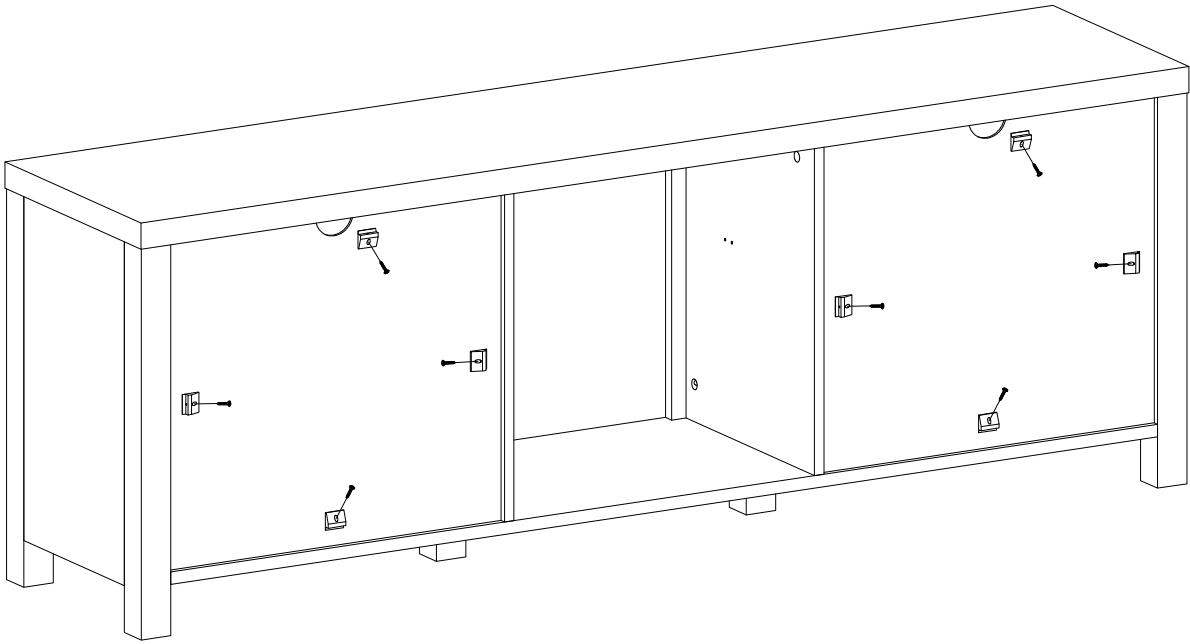
Insert part (12) into grooves of part (3, 2, 8, 7, 10).

Step 15



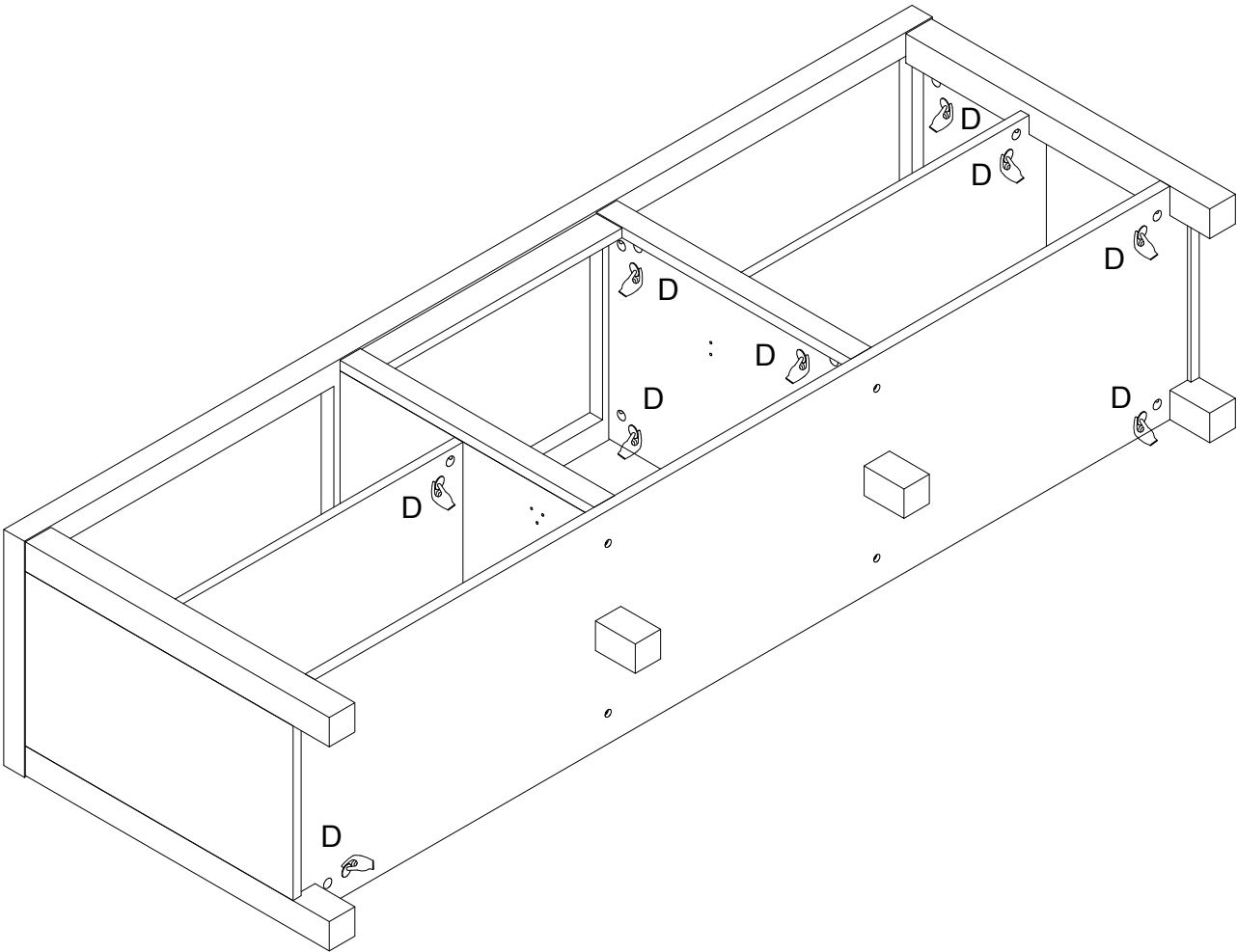
Attach part (1) to part (2, 4, 8) using cam lock (C) with Philips head screwdriver as per diagram.

Step 16



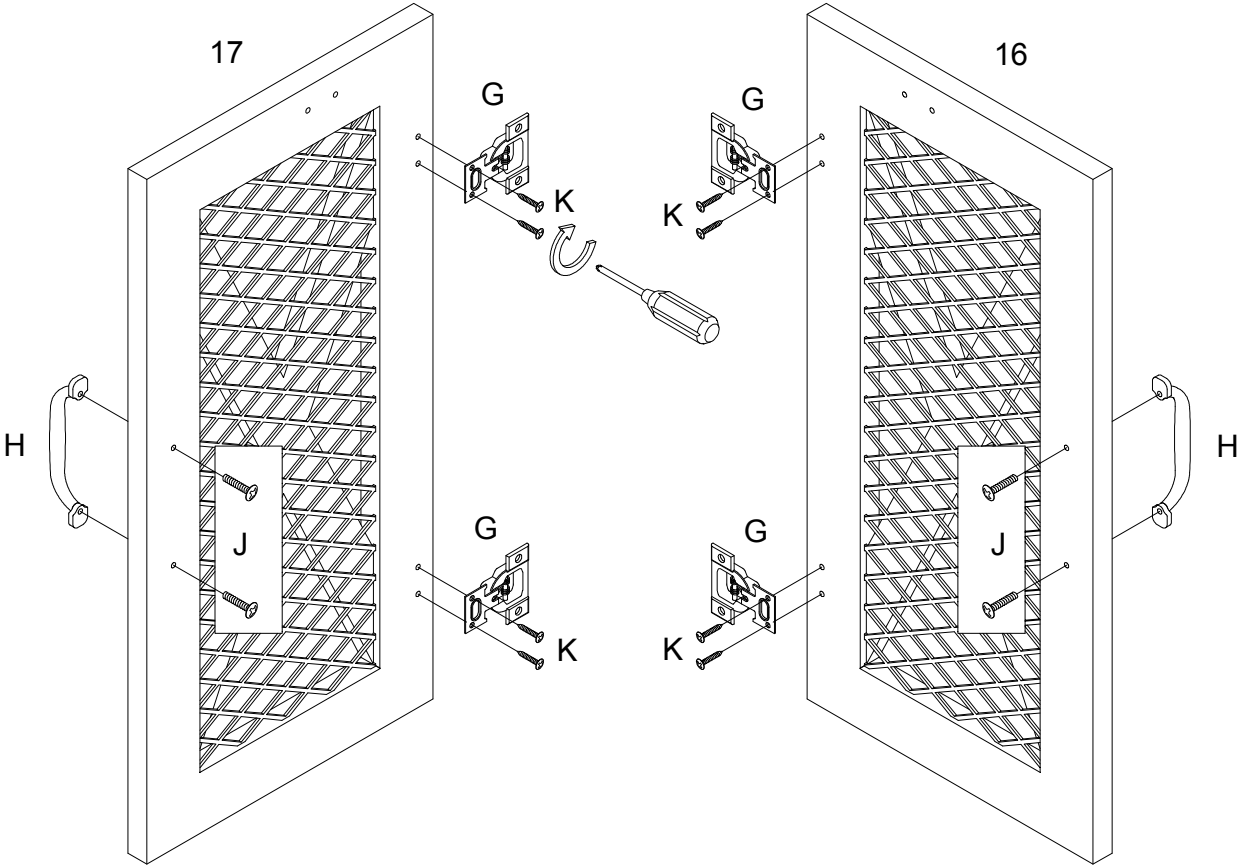
Attach plastic wedge (N) using screw (M) with Philip head screwdriver as per diagram.

Step 17



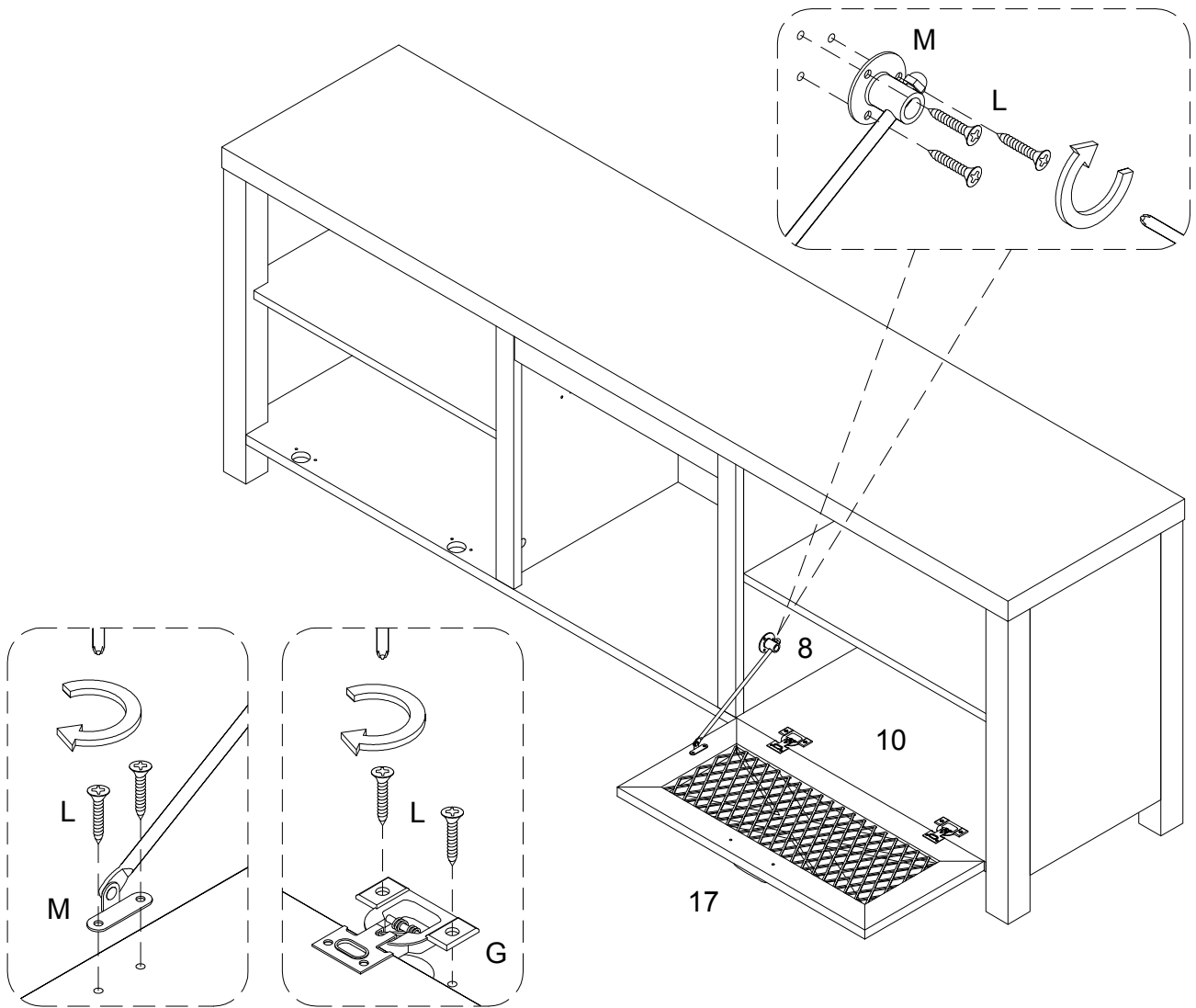
Place sticker (D) over holes as per diagram.

Step 18



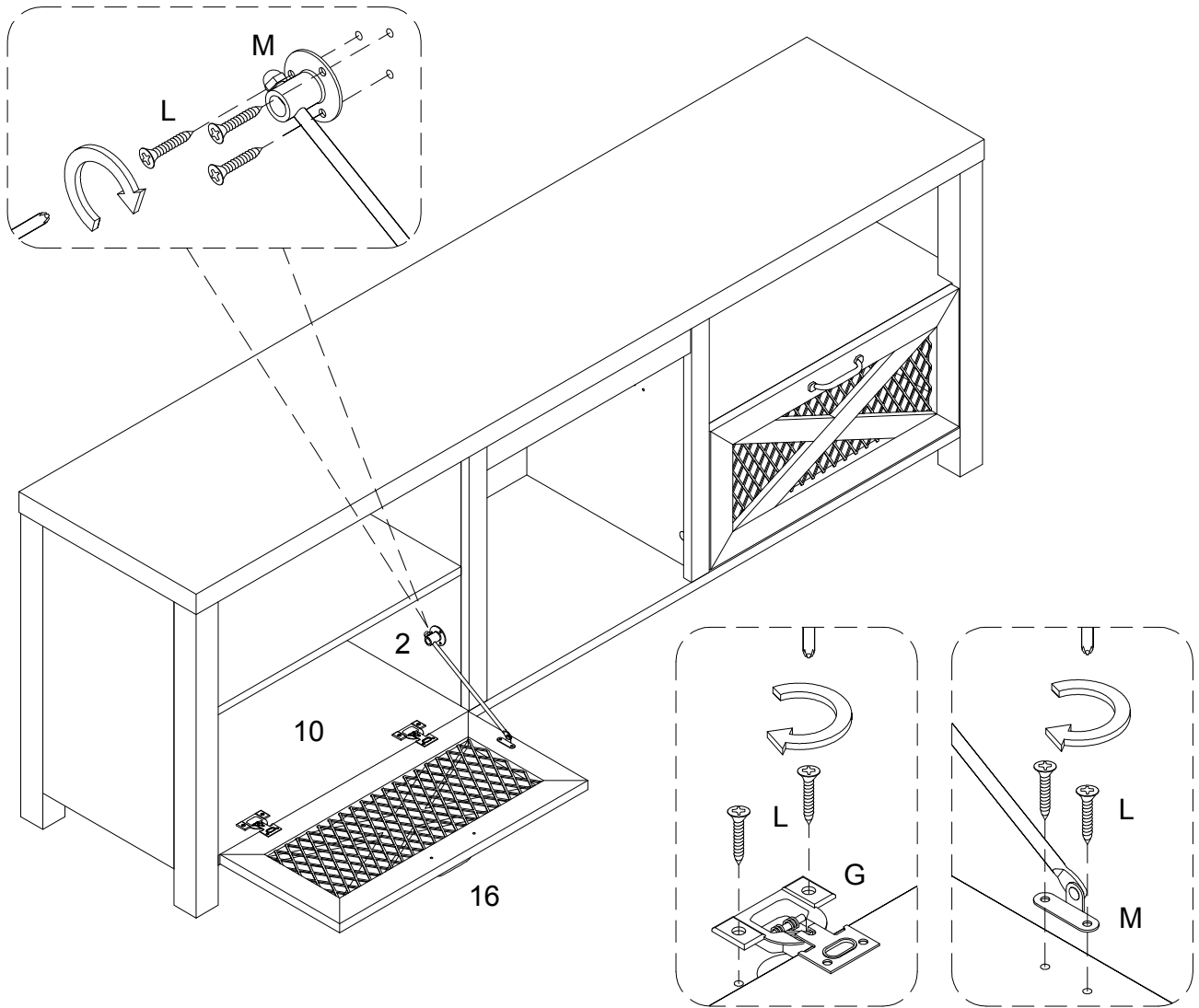
Attach knob (H) to part (17) using bolt (J) with Philips head screwdriver.
Attach west hinge (G) to part (16, 17) using screw (K) with Philips head screwdriver.

Step 19



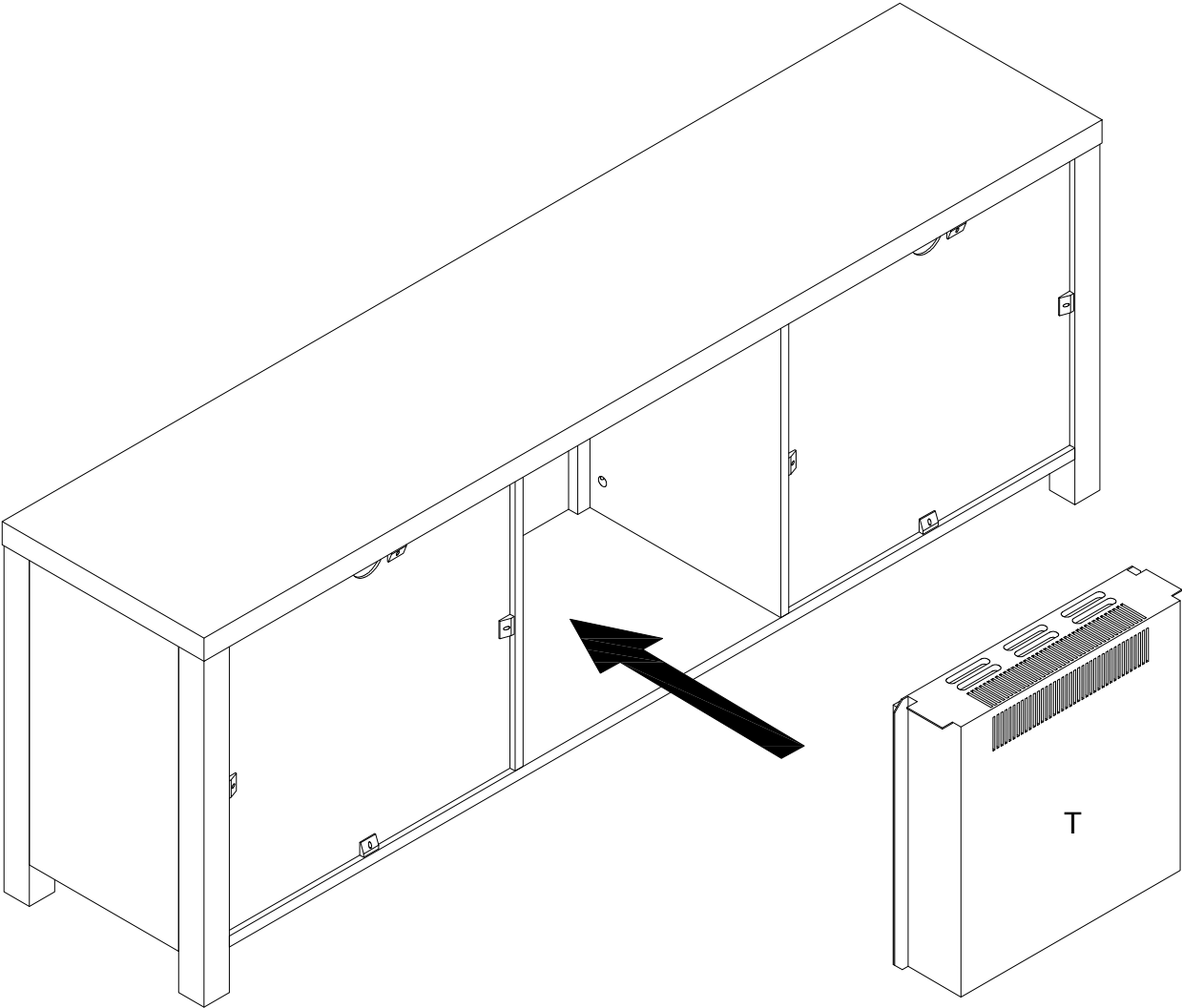
Attach part (17) to part (10) using west hinge (G) and screw (L) with Philips head screwdriver, then attach one end of door hinge (M) to part (8) using screw (L) with Philips head screwdriver, keep part (17) open, attach the other end of door hinge (M) to part (8) using screw (L) with Philips head screwdriver as per diagram.

Step 20



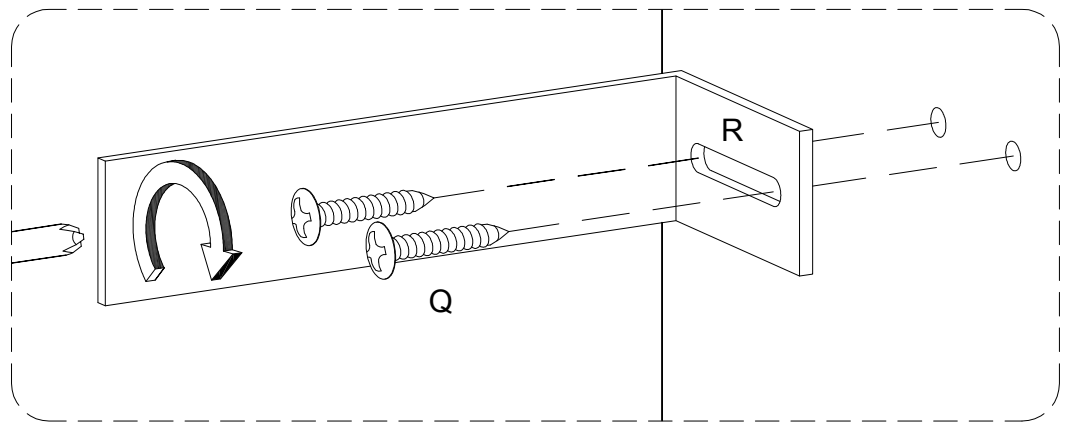
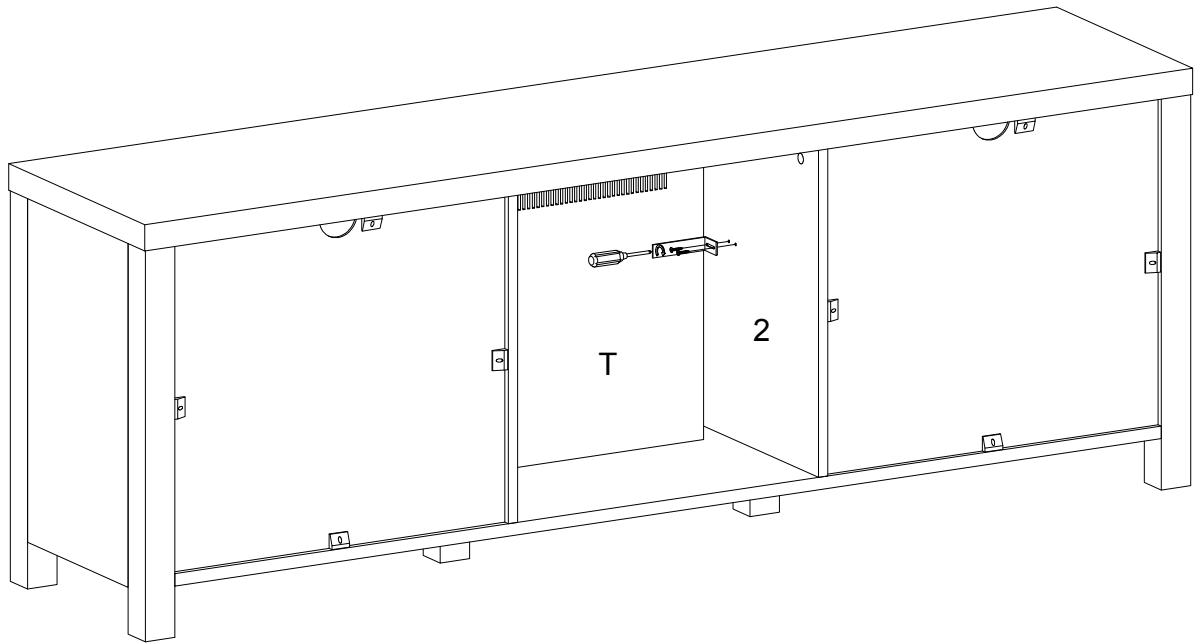
Attach part (16) to part (10) using west hinge (G) and screw (L) with Philips head screwdriver, then attach one end of door hinge (M) to part (2) using screw (L) with Philips head screwdriver, keep part (17) open, attach the other end of door (M) to part (16) using screw (L) with Philips head screwdriver as per diagram.

Step 21



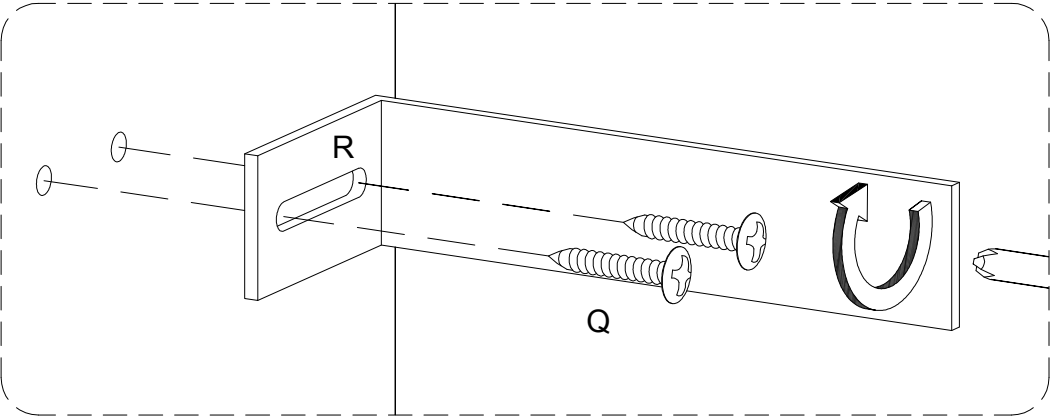
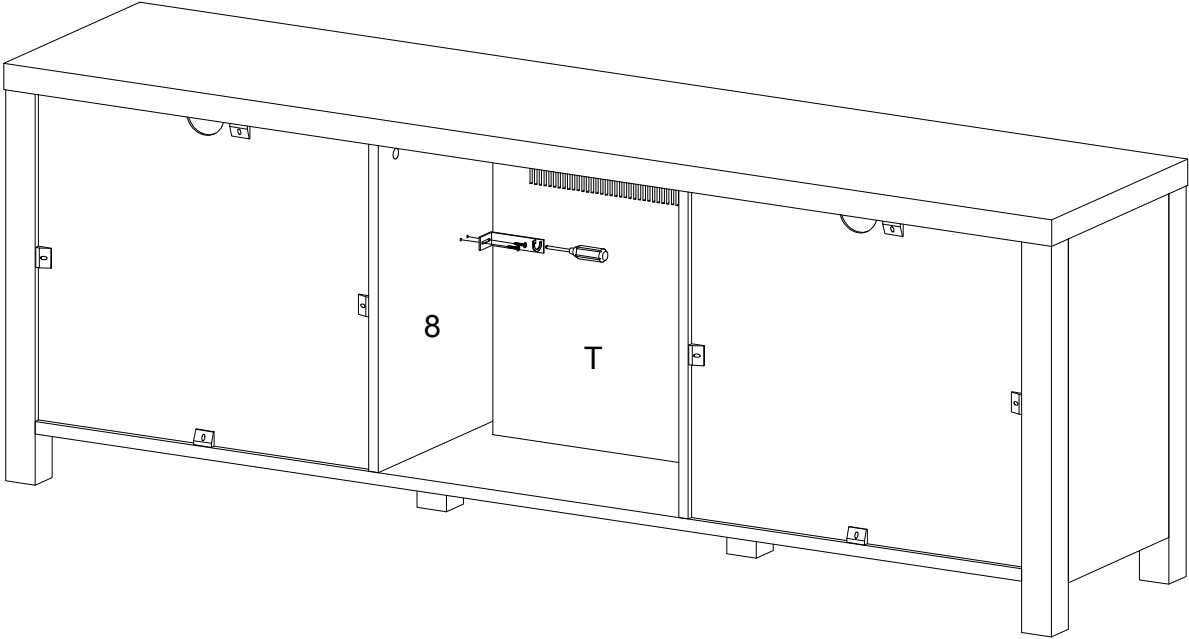
Place fireplace insert into furniture as per diagram.

Step 22



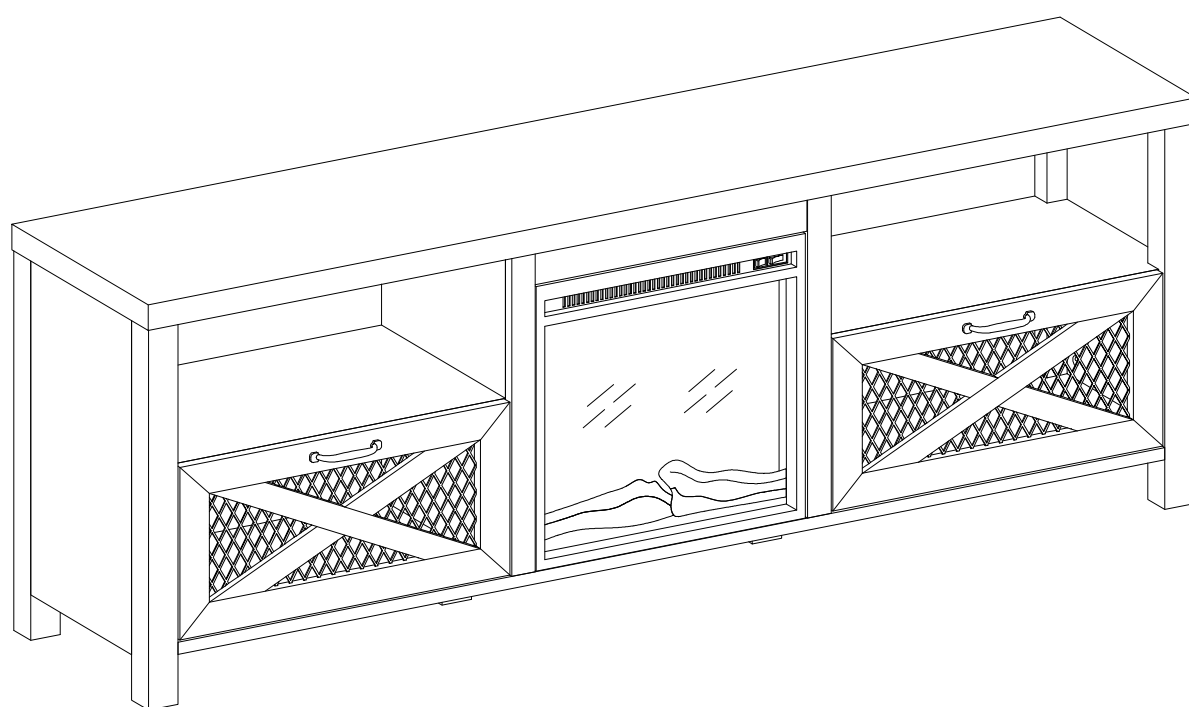
Secure L shape bracket (R) into pre-drilled holes of part (2) using screw (Q) with Philips head screwdriver as per diagram.

Step 23



Secure L shape bracket (R) into pre-drilled holes of part (8) using screw (Q) with Philips head screwdriver as per diagram.

Step 24



Final Assembly