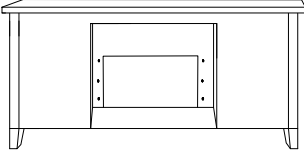
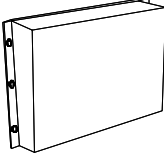


ASSEMBLY INSTRUCTIONS



ITEM : 91770

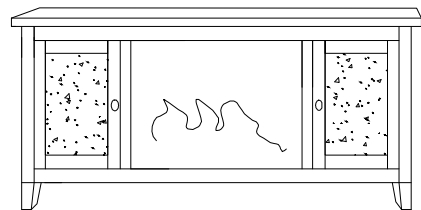
Important note :

1. Place all wooden parts on a clean and smooth surface such as a rug or carpet to avoid scratching the parts.
2. Kindly follow the assembly instructions step by step.
3. Do not tighten all screws and bolts until the chair is fully assembled.

PARTS IDENTIFICATION		
DESCRIPTION	PART NAME	Q'TY (PCS)
①	Fireplace 	1
②	Fireplace core 	1

HARDWARE IDENTIFICATION

- (A)  Bolt Boulon 1.2*0.5"-6PCS
- (B)  Screwdriver Tournevis-1PC

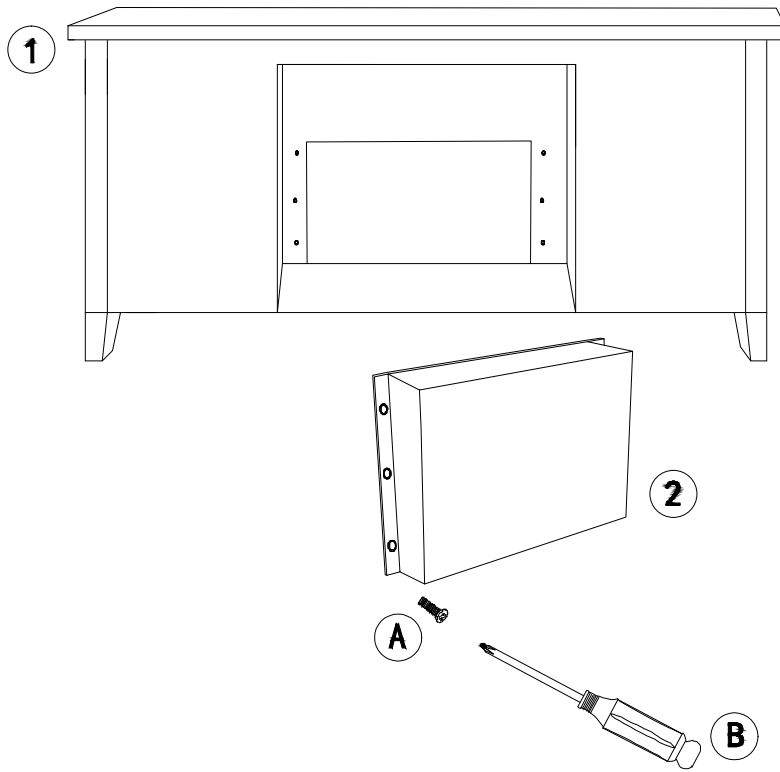


Attention:

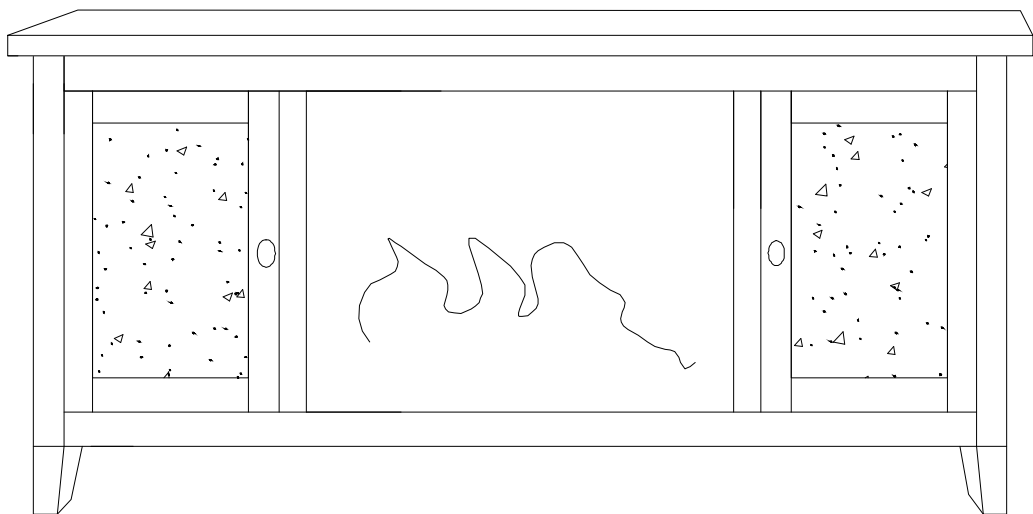
*** Some number parts listed on the instruction sheet may not be in parts bag as they may already be assembled. Carefully check parts and packing materials prior to ordering replacements.

How to assemble:





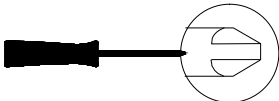
STEP 1



COMPLETE



NOTE: the quantities below are the correct amount to complete the assembly. In some cases more fittings may be supplied than required. Please prepare cross screwdriver B before assembling the product.

HARDWARE IDENTIFICATION		
DESCRIPTION	PART NAME	Q'TY (PCS)
(C)	Handle 	2
(D)	Handle Bolt 1.2*0.5"-6PCS 	2
(E)	Metal washer 	2
(F)	Silicone washer 	4
(B)	Screwdriver 	1

HANDLE ASSEMBLY INSTRUCTIONS

Unscrew the handles and remove the bolts (D) and washers (E & F).

Placing the metal washer (E) and 1 x silicon washer (F) onto the bolt, insert it back into the unit from the inside of the drawer.

Carefully place the remaining silicon washer (F) over the exposed end of the bolt and attach the handle (C).

Holding the bolt in place with the screw driver, gently tighten the handle by hand. Take care not to over tighten the handle as this may damage the glass front of the drawer.

We recommend from time to time you check the handles are secure and tighten any that are loose.

