

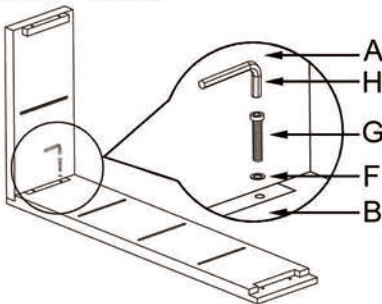
# ASSEMBLY INSTRUCTIONS

## ITEM NO:51527

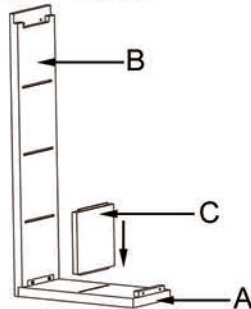
Thank you for purchasing this quality product. Be sure to check all packing material carefully for small parts that may have come loose inside the carton during shipment. (Note: Loosely thread all screws/bolts first. Once the item is assembled then completely tighten. )

PARTS LIST				HARDWARE LIST				
NO.	Description	Sketch	Quantity	NO.	Description	Sketch	Size	Quantity
A	Tops		2	F	Lock washer		Φ1/5 " *1/50 "	8
B	Legs		2	G	Blots		Φ1/5 " *1/2 "	8
C	Board		4	H	Allen wrench		Φ4/25 "	1
D	Boards		3					
E	Boards		2					

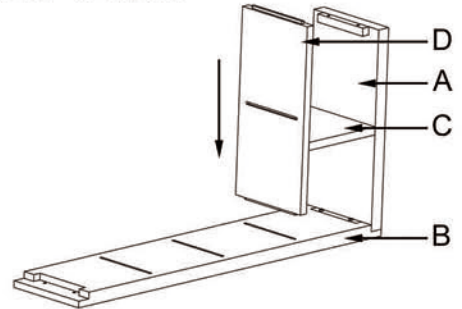
### STEP ONE:



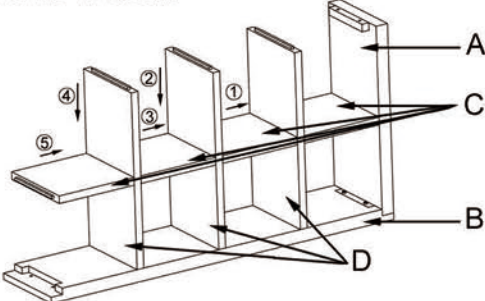
### STEP TWO:



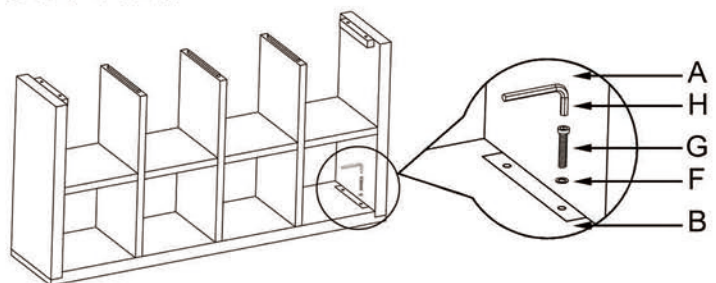
### STEP THREE:



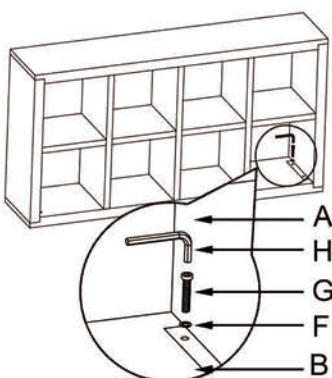
### STEP FOUR:



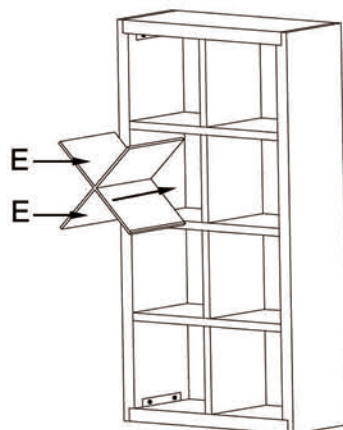
### STEP FIVE:



### STEP SIX:



### STEP SEVEN:



### STEP EIGHT:

