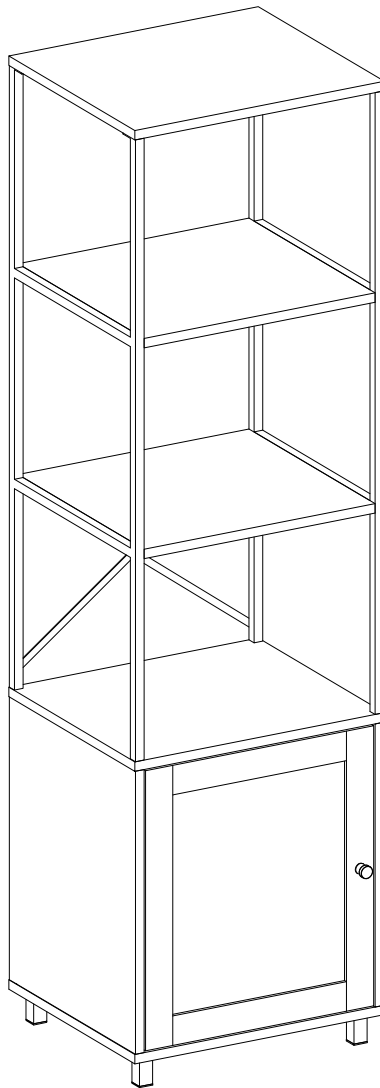


Item # : BS64LAN1D Assembly Instructions



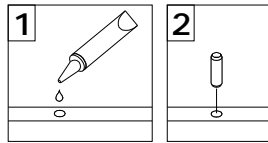
Walker Edison®

Please visit our website for the most current instructions, assembly tips, report damage, or request parts. www.walkerediton.com

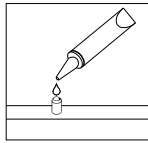
Revised 03/06/2020(C)

General Assembly Guidelines

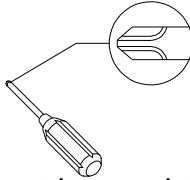
- I. Ensure that all parts and hardware are available before beginning assembly.
- II. Follow each step carefully to ensure the proper assembly of this product.
- III. Two people are recommended for ease in the assembly of this product.
- IV. The three main types of hardware used to assemble this product are: wood dowels, screws and bolts.
- V. The provided glue is to secure wood dowels in place. When first inserting dowels, locate the appropriate hole for the dowel, place a small amount of glue in the hole and insert the dowel. Wipe away excess glue immediately.



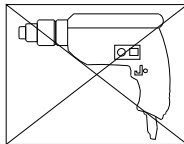
In future assembly steps when dowels are necessary to attach assembly parts together, place a small amount of glue on the end of the dowel before attaching parts together. Wipe away excess glue immediately.



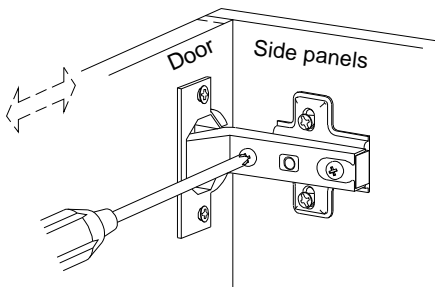
- VI. A Phillips head screwdriver is required for the assembly of this product.



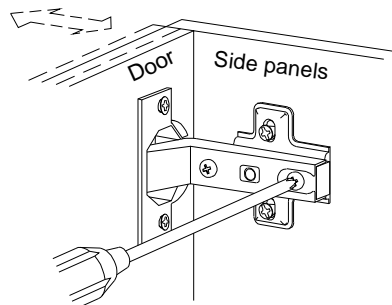
- VII. Power tools should not be used to assemble this product.



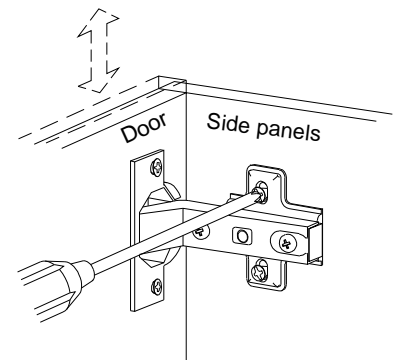
- VIII. Drill may be needed for securing product to wall.
- IX. Concealed hinges are three-way adjustable.



Horizontal
by screw adjustment

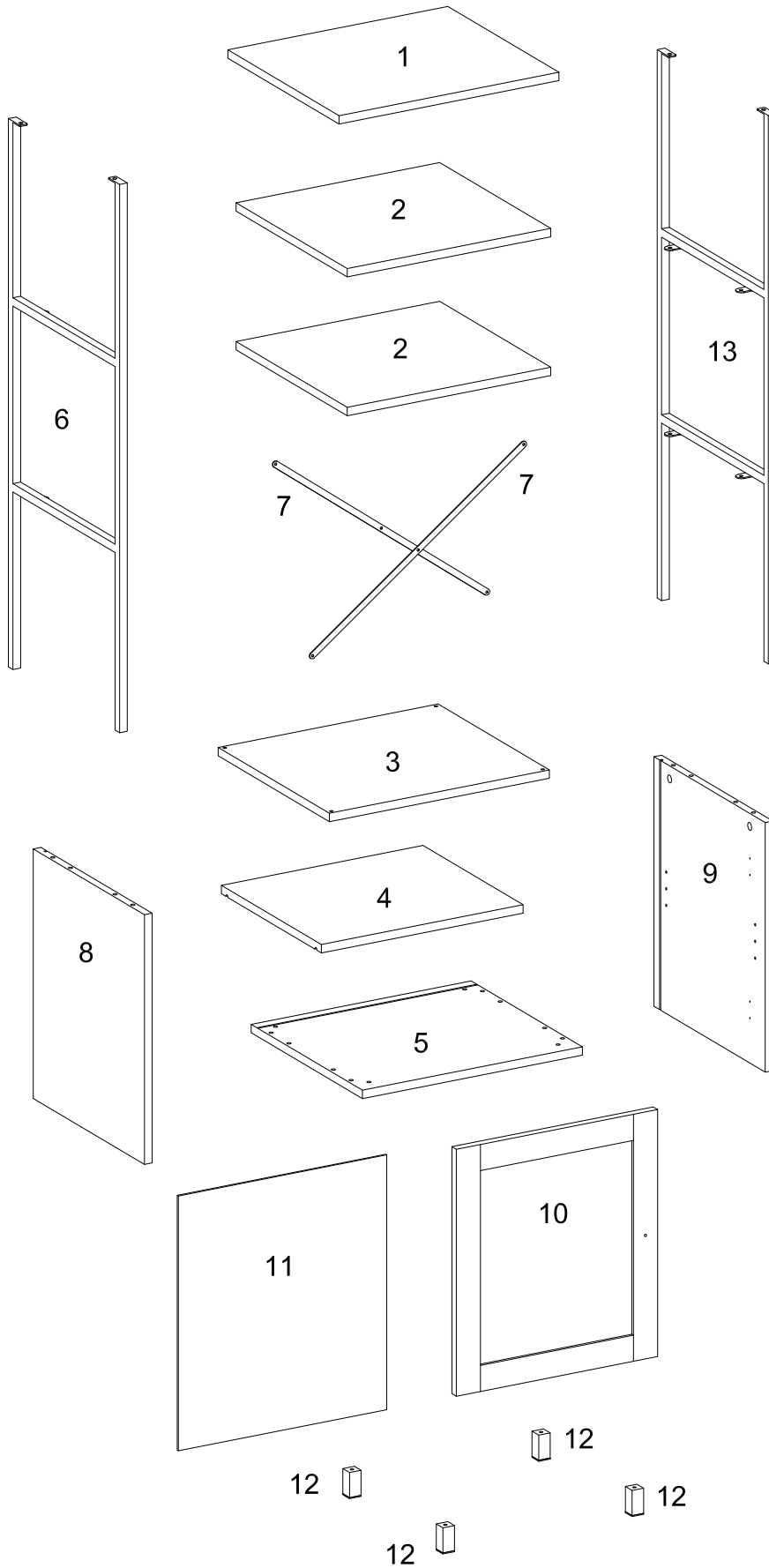


In-and-Out
by loosening the hinge-arm
mounting screw or via cam
adjustment


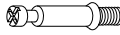


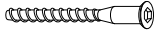


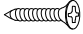
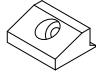
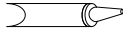
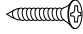




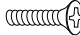
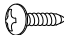
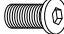

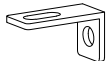


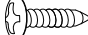




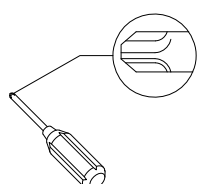
Vertical
Via slots in the mounting
plate or via cam adjustment

Parts List



Hardware List

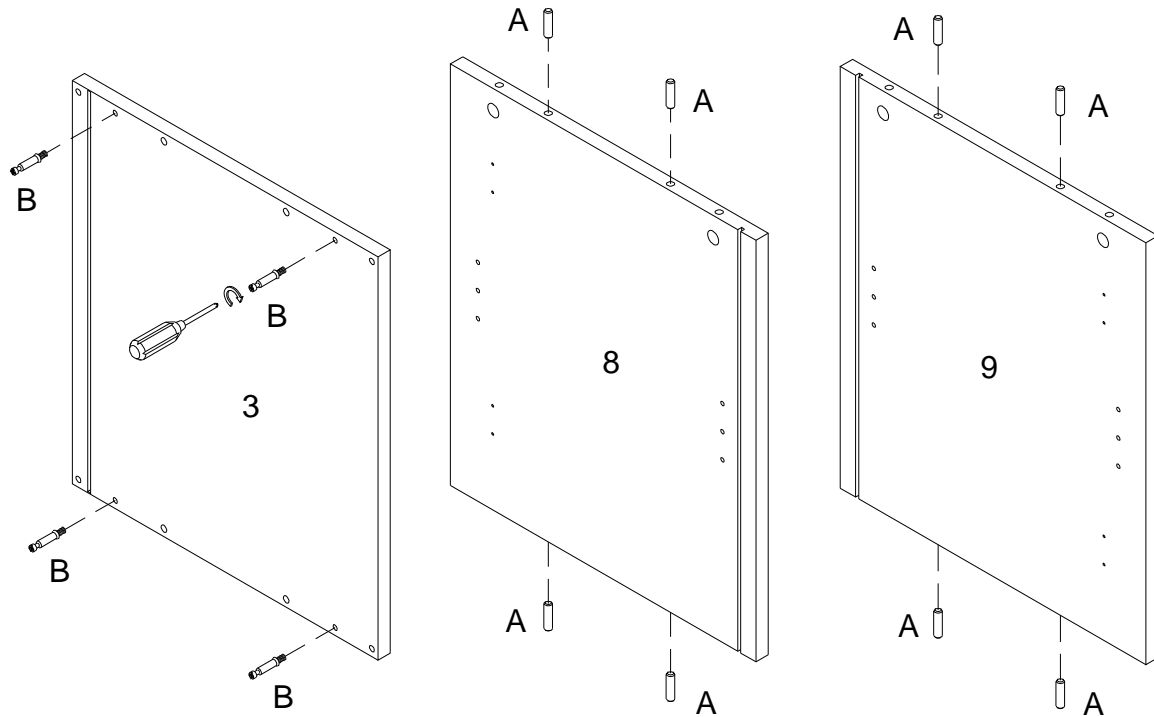
A		Ø8x30mm	Wooden dowel	8	pcs
B		Ø6x35mm	Cam bolt	4	pcs
C		Ø15x11mm	Cam lock	4	pcs
D		Ø30mm	Sticker	8	pcs
E		Ø6x38mm	Screw	4	pcs
F		Ø1/4"x12mm	Bolt	13	pcs
G		M 4	Hex key	1	pc
H		Ø3x17mm	Screw	4	pcs
J			Plastic wedge	4	pcs
K			Glue tube	1	pc
L		Ø4x14mm	Screw	8	pcs
M			Handle	1	pc
N		Ø5/32"x20mm	Handle Bolt	1	pc
P			Shelf support pin	4	pcs
Q			Nut	1	pc
R		Ø4x10mm	Screw	1	pc
S		Ø4x12mm	Screw	4	pcs
T		Ø1/4"x25mm	Bolt	4	pcs
U		Ø1/4"x35mm	Bolt	4	pcs
V			Bracket	1	pc
W			Flat washer	1	pc
X			Wrench	1	pc
Y		Ø4x30mm	Screw	1	pc
Z			Wall anchor	1	pc
AA			Europe hinge	2	pcs



Philips head screwdriver required for assembly
(not included)

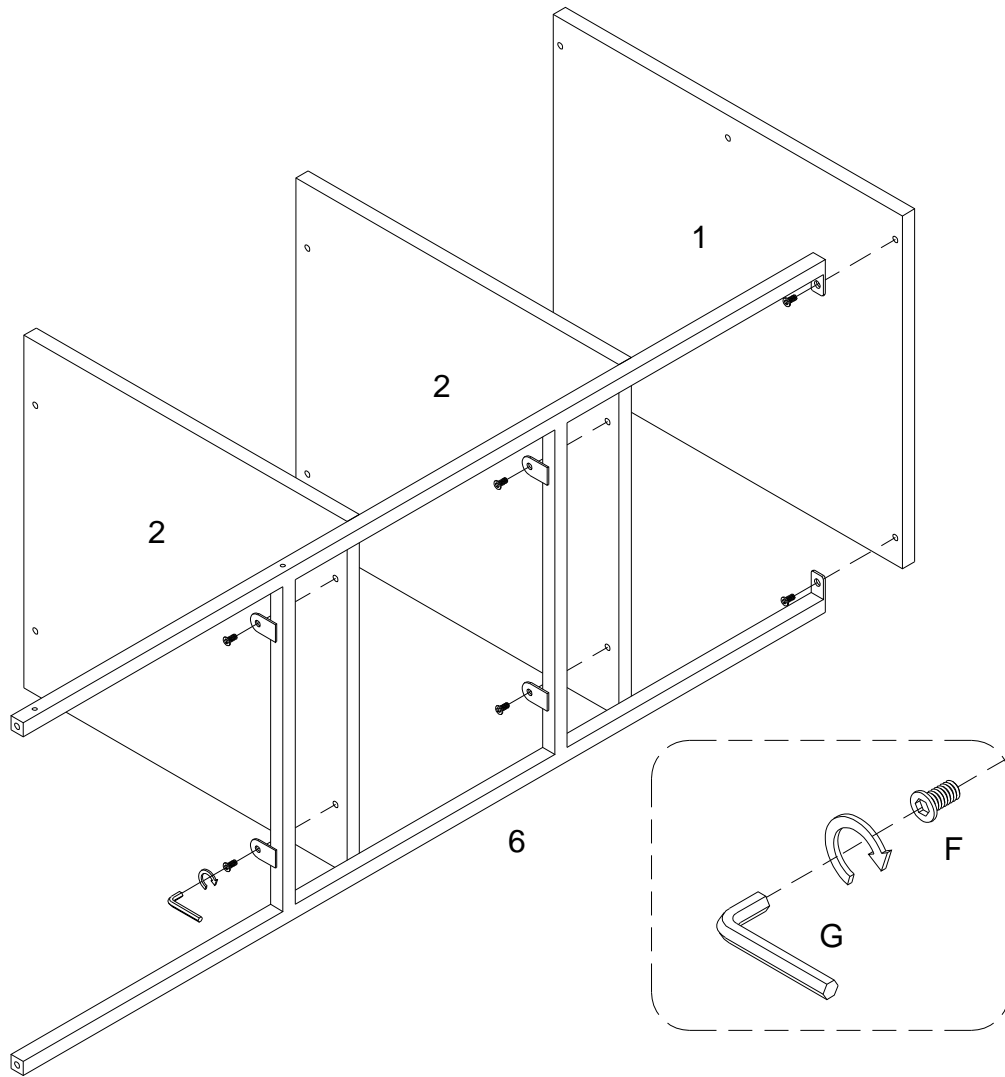
*The hardware quantities listed above are required for proper assembly.
Some extra hardware may also have been included.*

Step 1



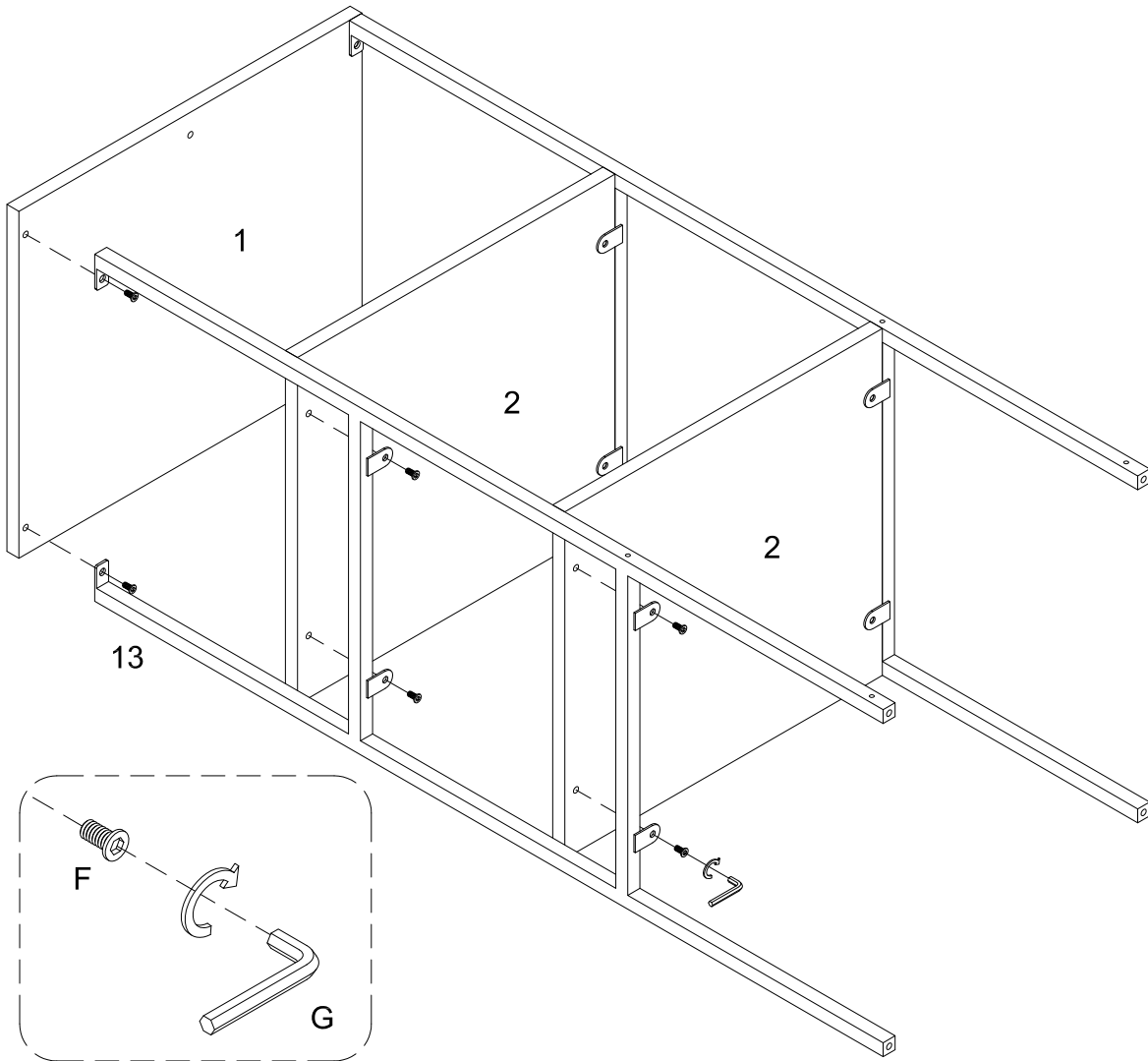
Insert wooden dowel (A) into parts (8,9) , then secure Cam bolt (B) to part (3) with Philips head screwdriver as per diagram.

Step 2



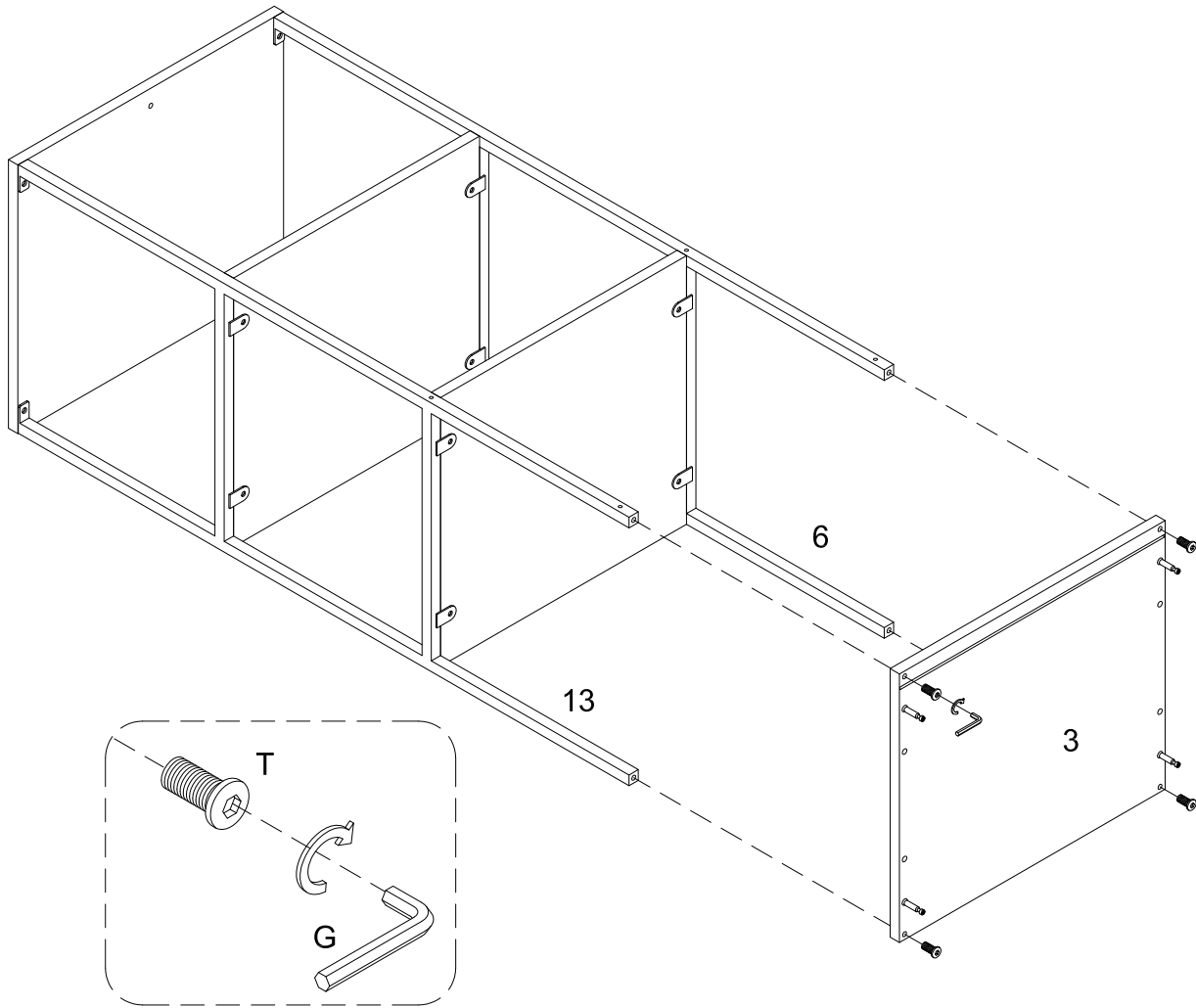
Using Bolt (F) attach part (6) into parts (1,2) with hex key (G) as per diagram.
Note: Do not fully tighten all bolts .

Step 3



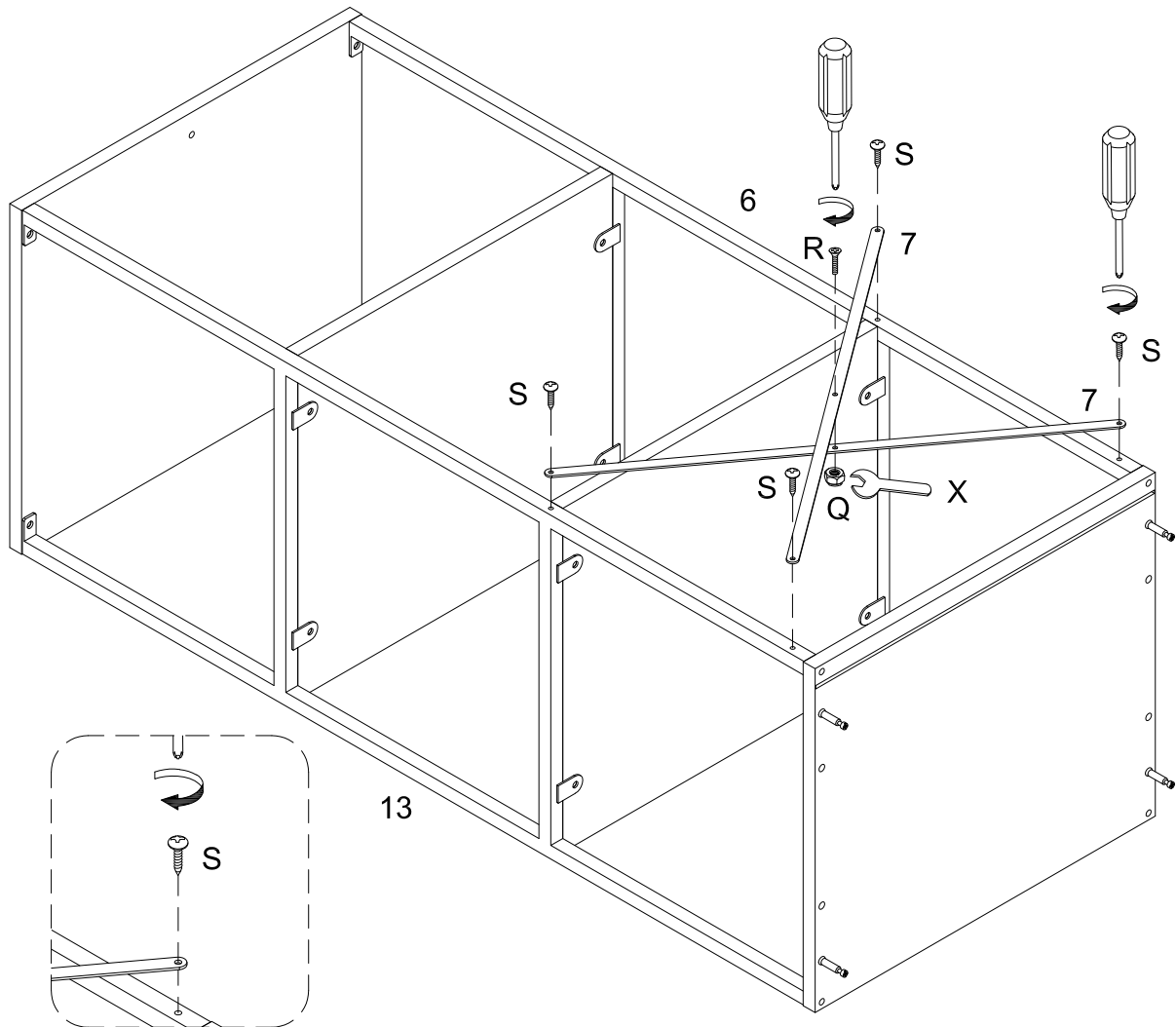
Repeat the last step as per diagram.

Step 4



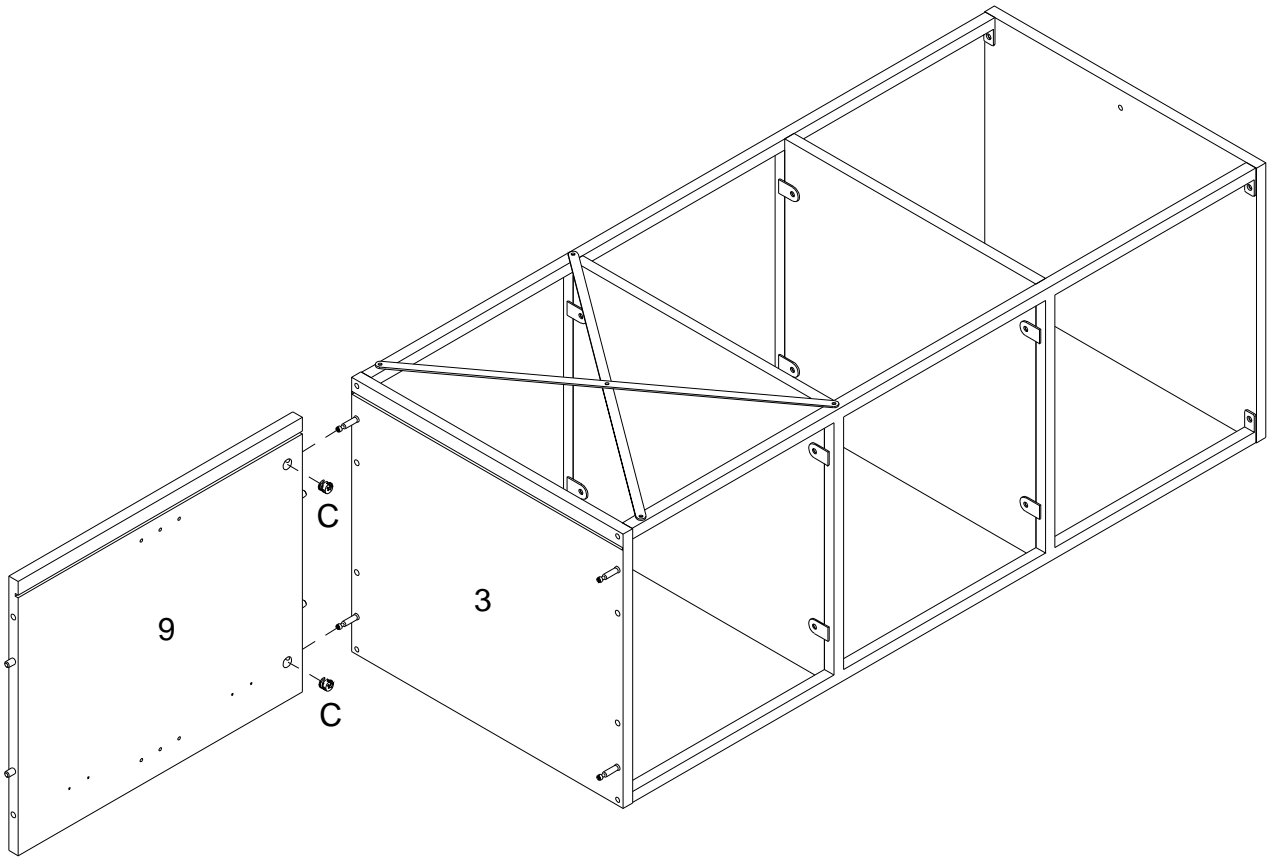
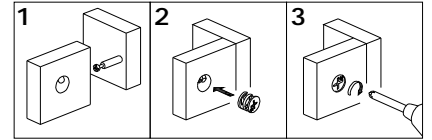
Using Bolt (T) attach part (3) to parts (6,13) with hex key (G) as per diagram.
Note : Fully tighten all bolts.

Step 5



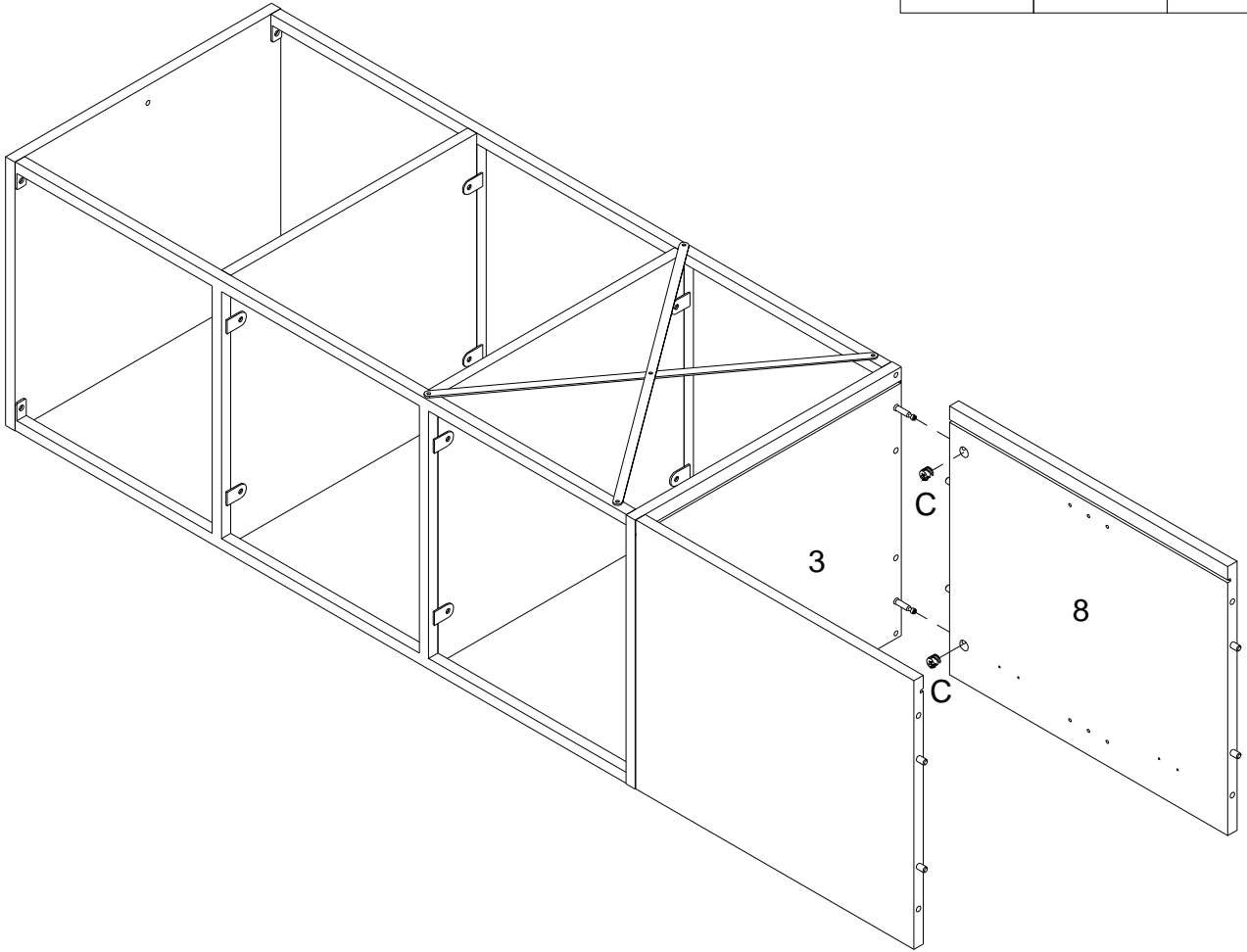
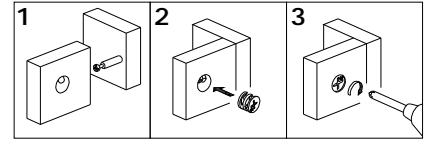
Using Screw (R) connecting both parts (7) to Nut (Q) with Wrench (X) ,then using Screw (S) attach part (7) to parts (6,13) with Philips head screwdriver as per diagram.

Step 6



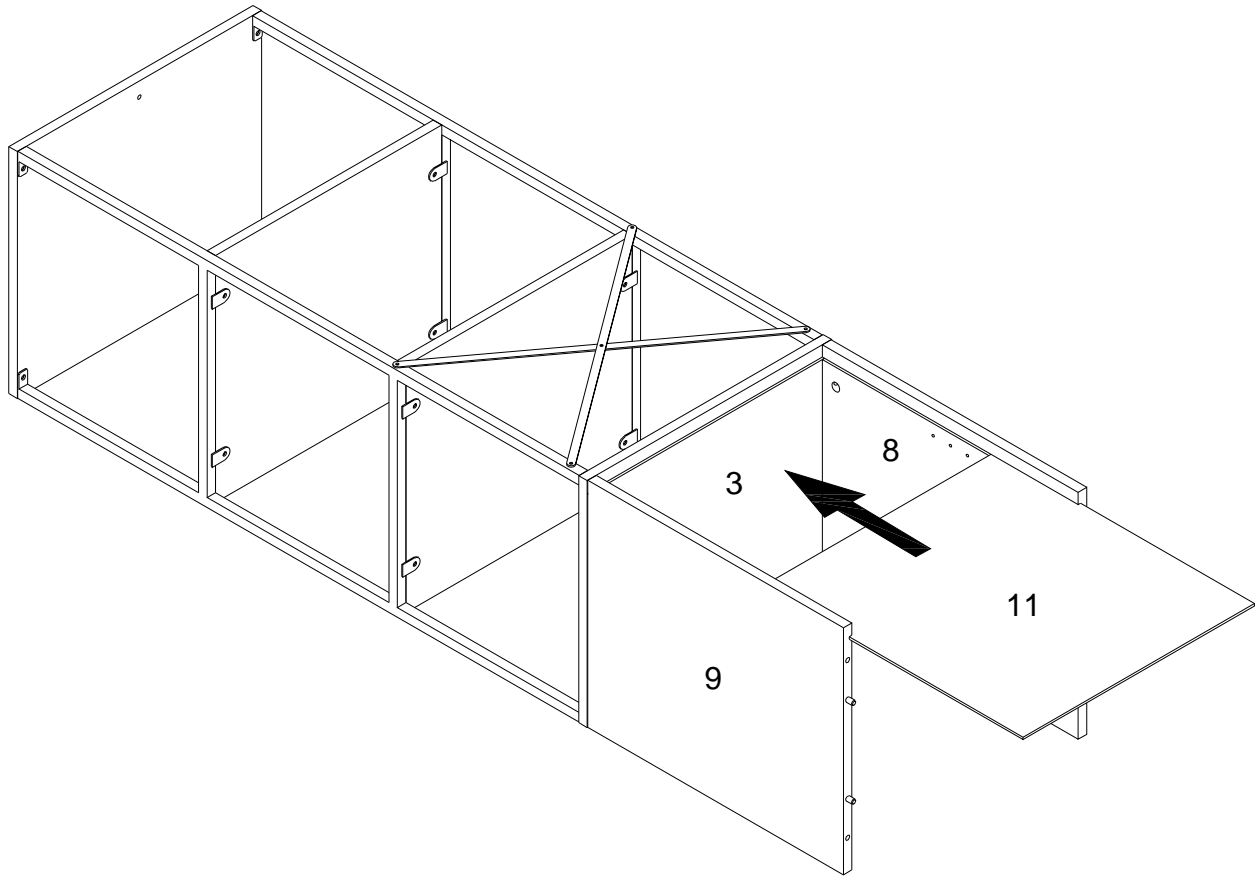
Using Cam lock(C) secure part (9) to part (3) with Philips head screwdriver as per diagram.

Step 7



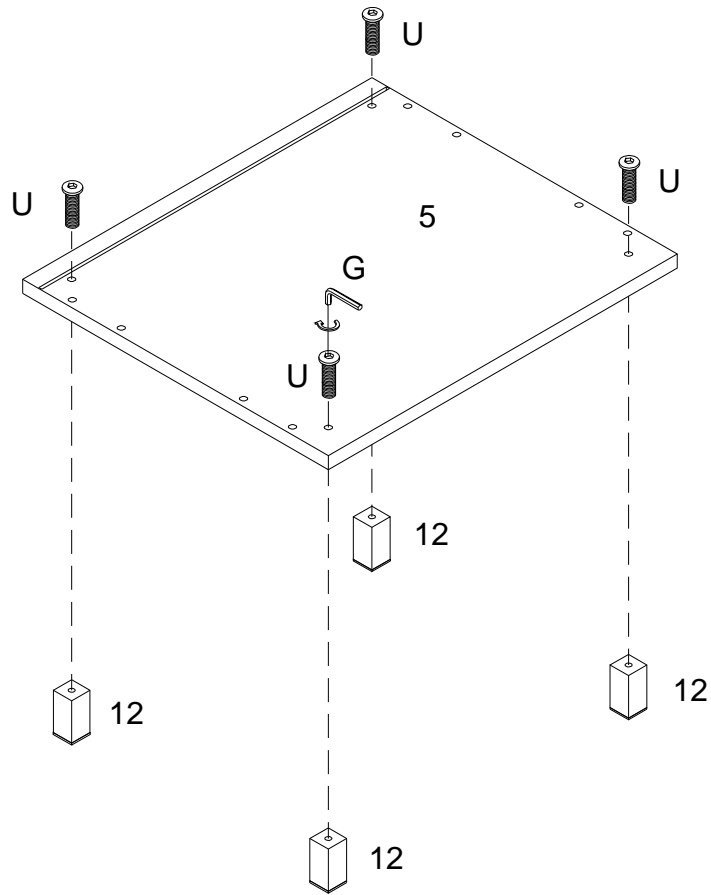
Using Cam lock(C) secure part (8) to part (3) with Philips head screwdriver as per diagram.

Step 8



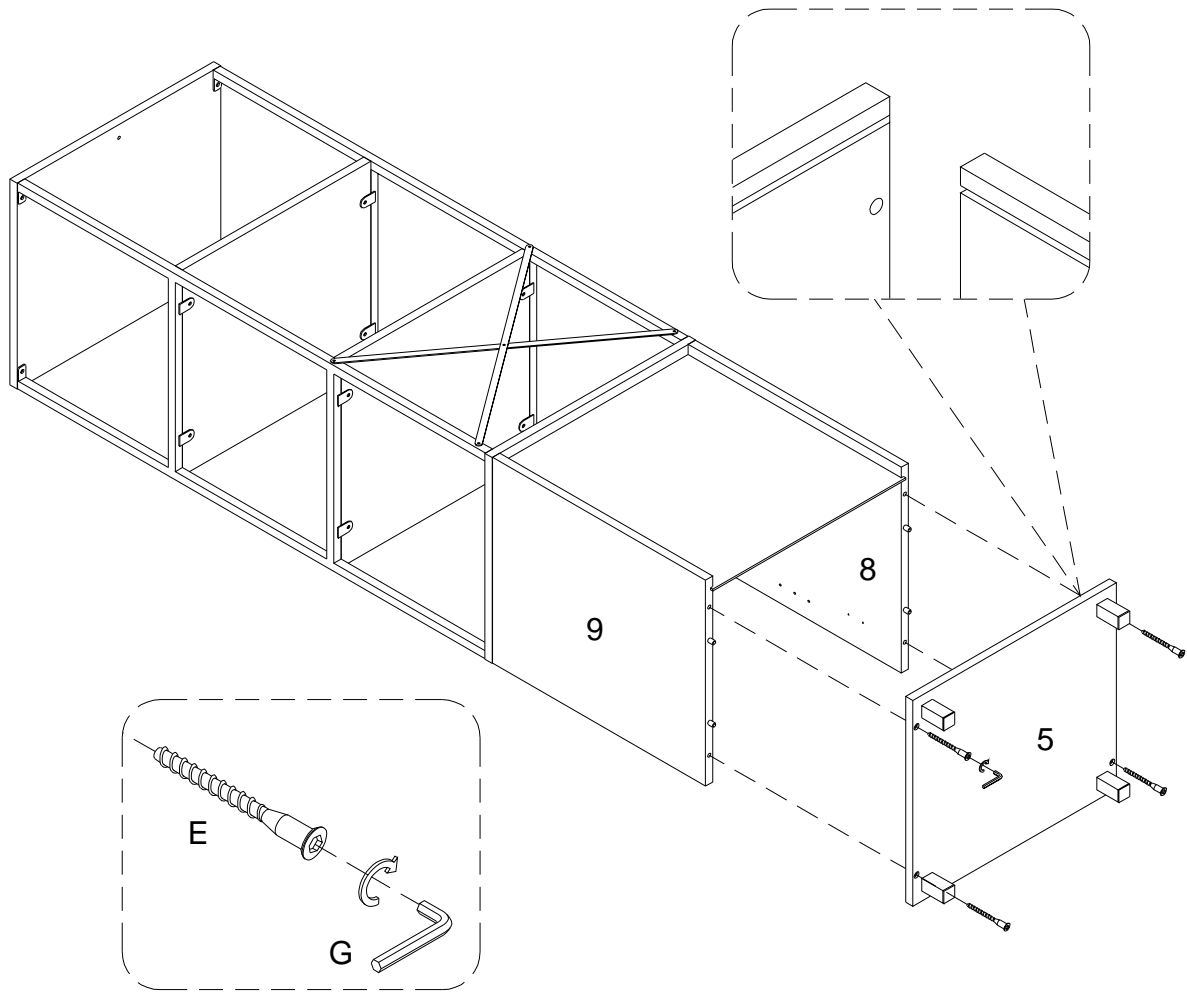
Put part (11) as per diagram.

Step 9



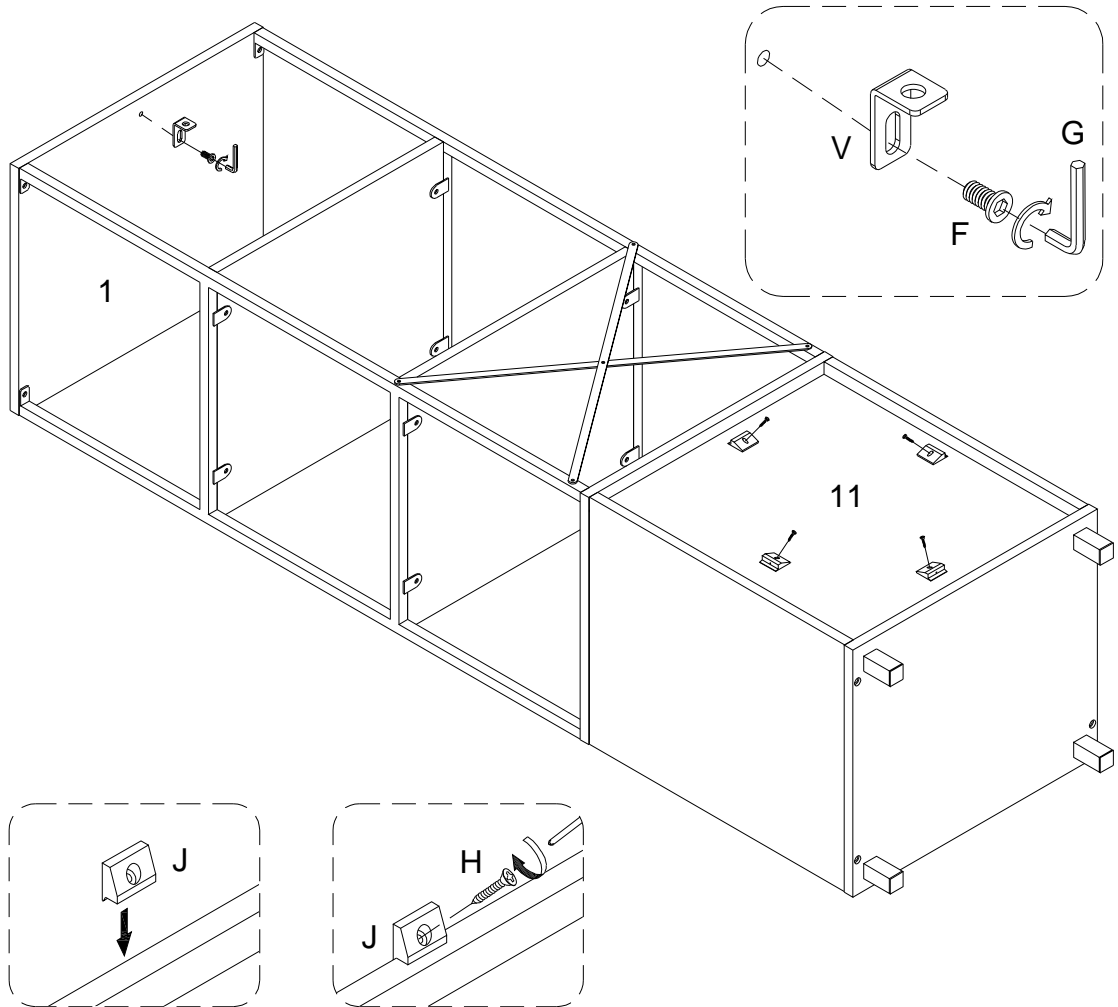
Using Bolt (U) attach part (5) to part (12) with Hex key (G) as per diagram.

Step 10



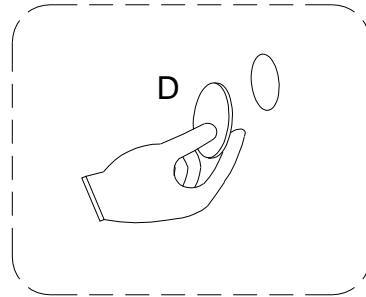
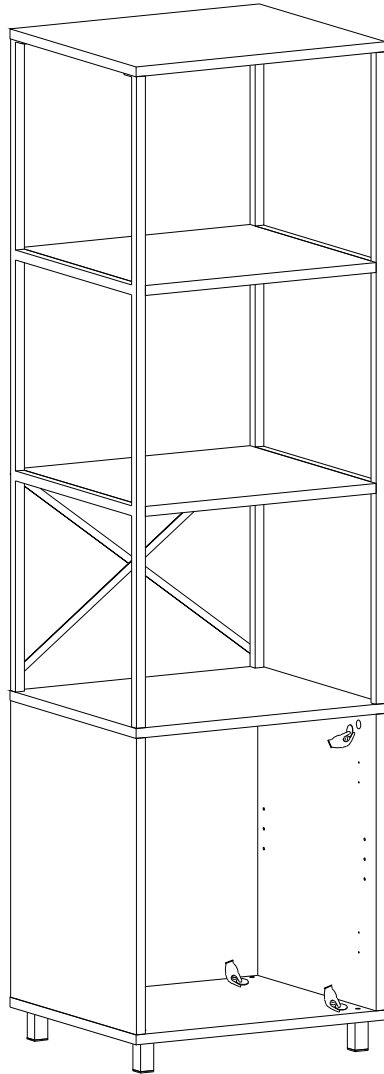
Using Screw (E) attach part (5) to parts (8,9) with Hex key (G) as per diagram.

Step 11



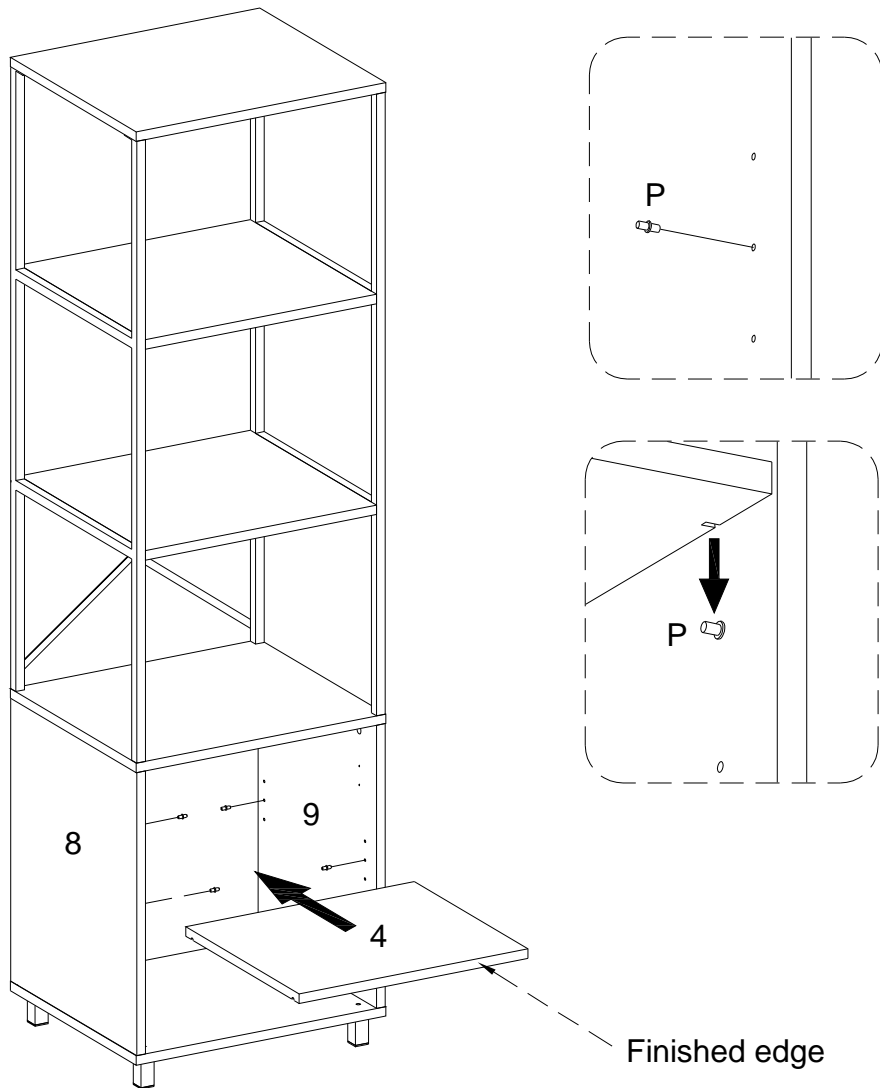
Using bolt (F) attach Bracket (V) to part (1) with Hex key (G) . Then using screw (H) secure plastic wedge (J) to part (11) with Philips head screwdriver as per diagram.

Step 12



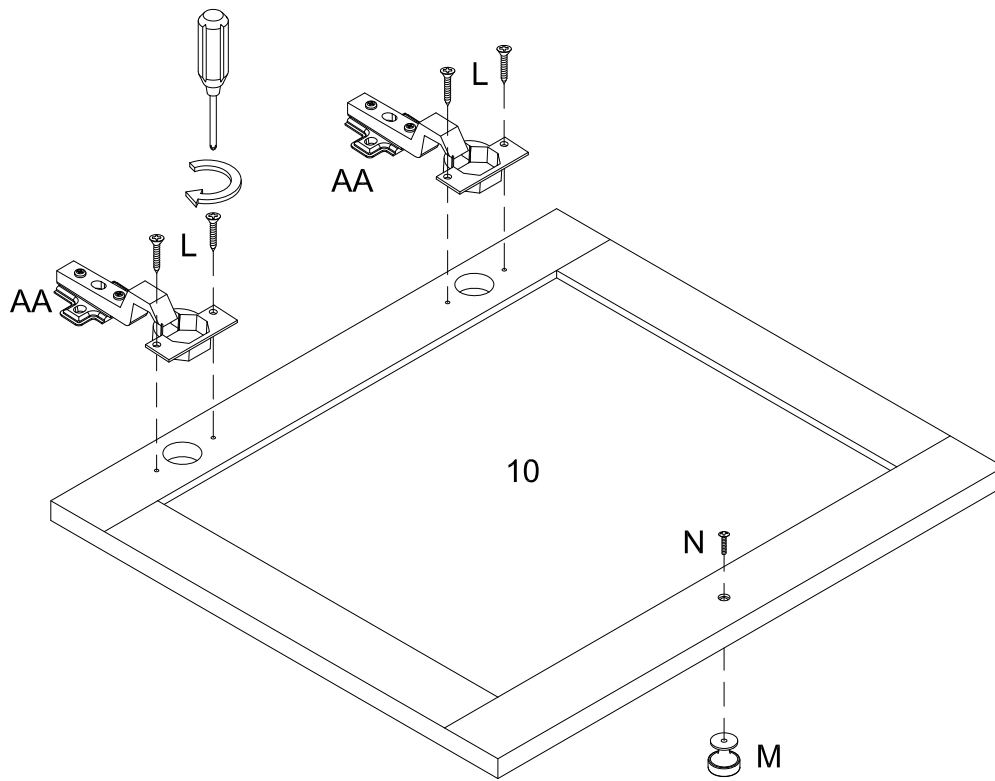
Place sticker (D) cover the holes as per diagram .

Step 13



Insert shelf support pin (P) into parts (8,9) as per diagram. Make sure you place the shelf support pins (P) in the same level. So the shelf is not titled .Put part (4) into unit as per diagram. Tilt and rest the adjustable shelf(4) onto the shelf support pins .

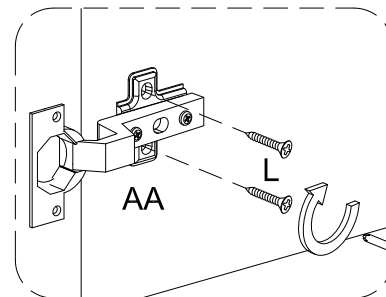
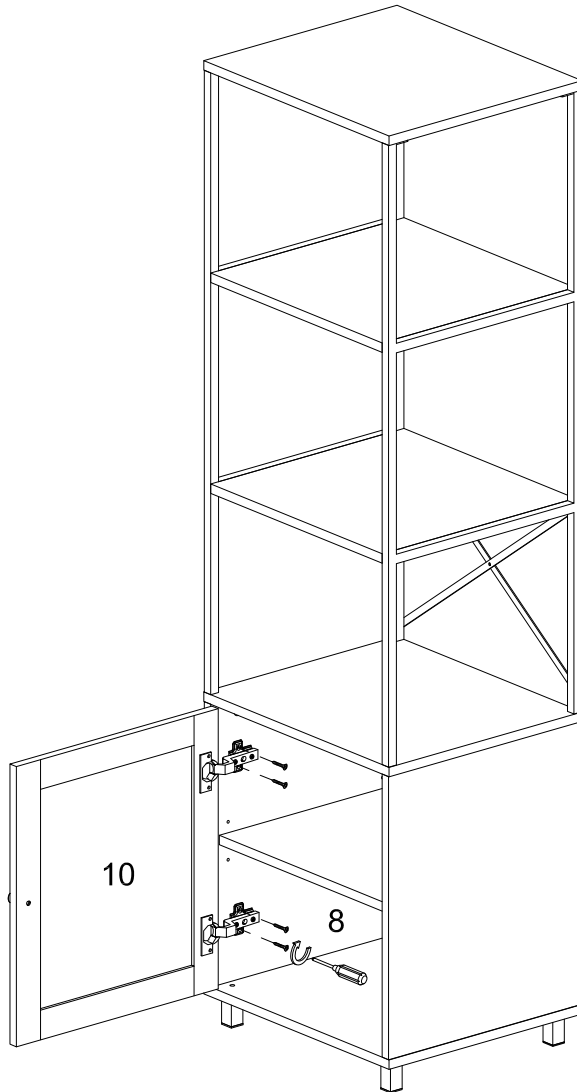
Step 14



Using handle bolt (N) attach handle (M) to part (10) ,and using Screw (L) attach Europe Hinge (AA) to part (10) with Philips head screwdriver as per diagram.

Step 15

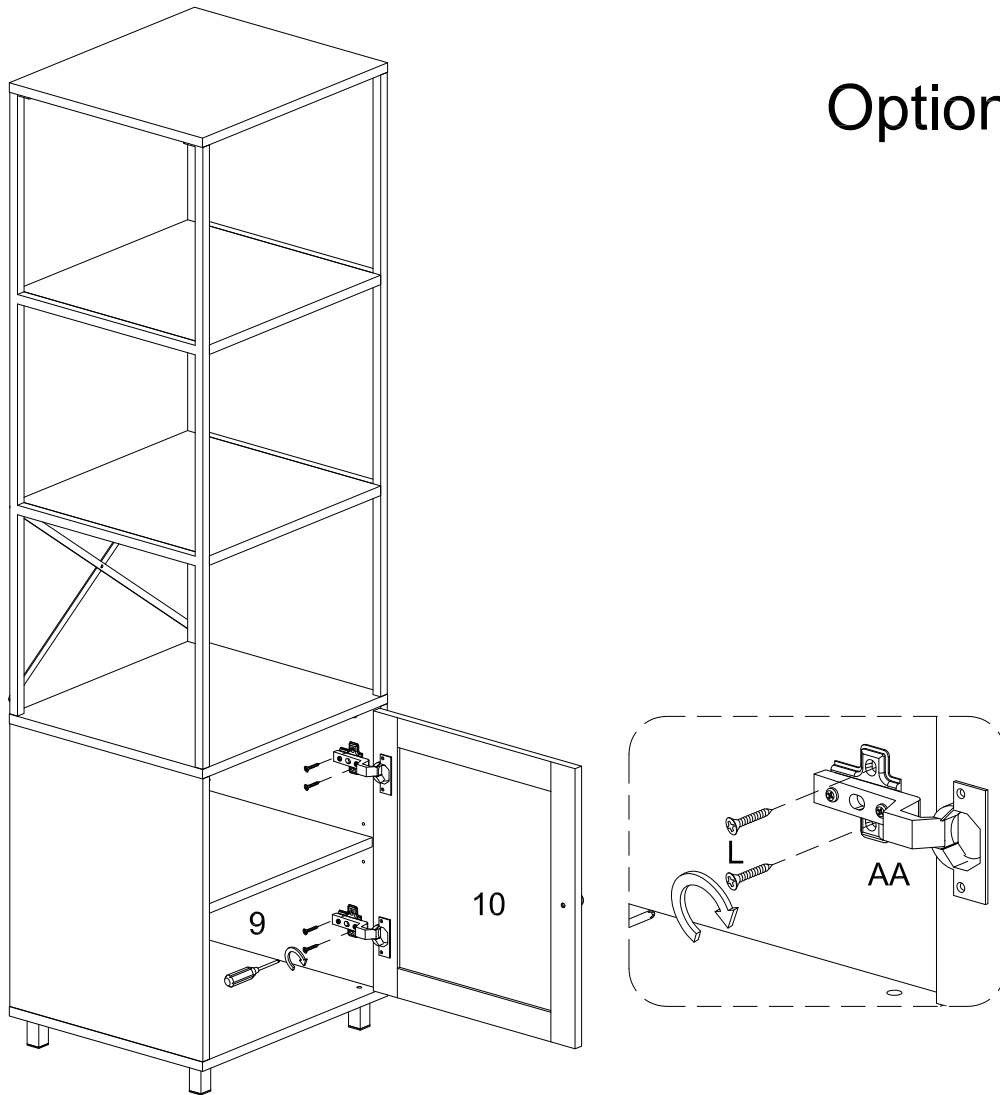
Options A



Using Screw (L) attach Europe Hinge (AA) to part (8) with Philips head screwdriver as per diagram.

Step 16

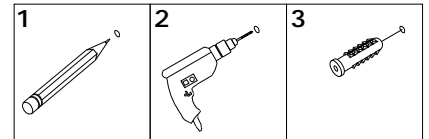
Options B



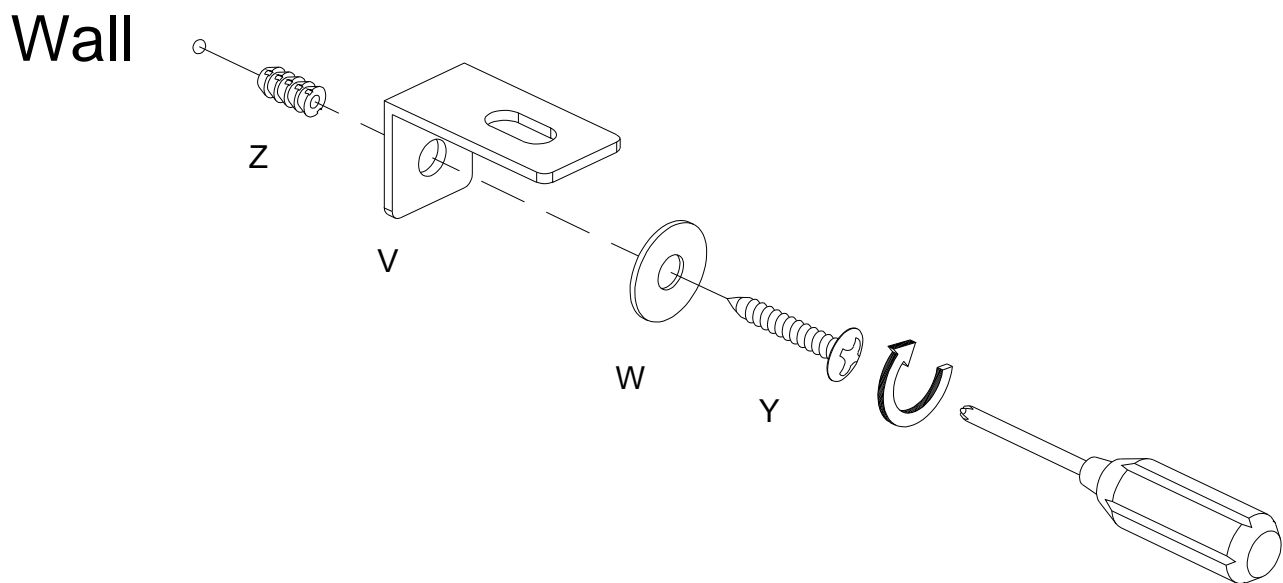
Using Screw (L) attach Europe Hinge (AA) to part (9) with Philips head screwdriver as per diagram.

Step 17

WARNING

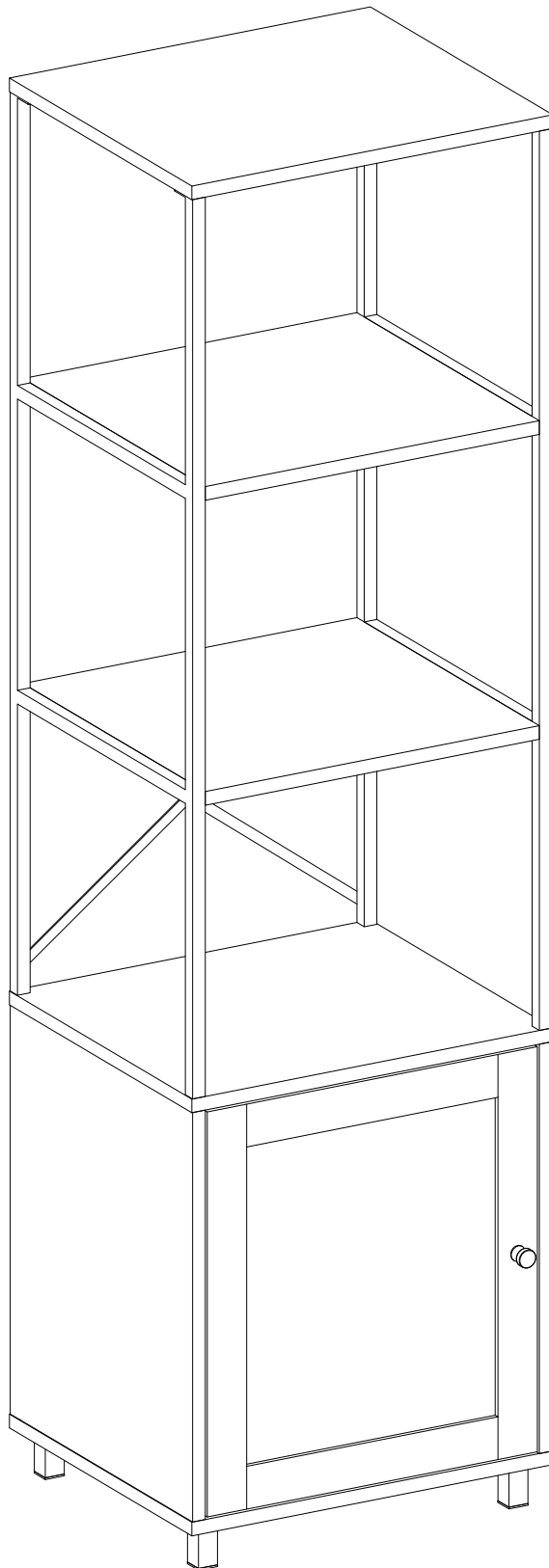


Serious or fatal injuries can occur from furniture tipping over. To prevent the furniture from tipping over we recommend that it is permanently fixed to the wall. Wall anchor and hardware are included with this product. Please make sure hardware is suitable for your walls before installing, as different wall materials may require different types of anchors.



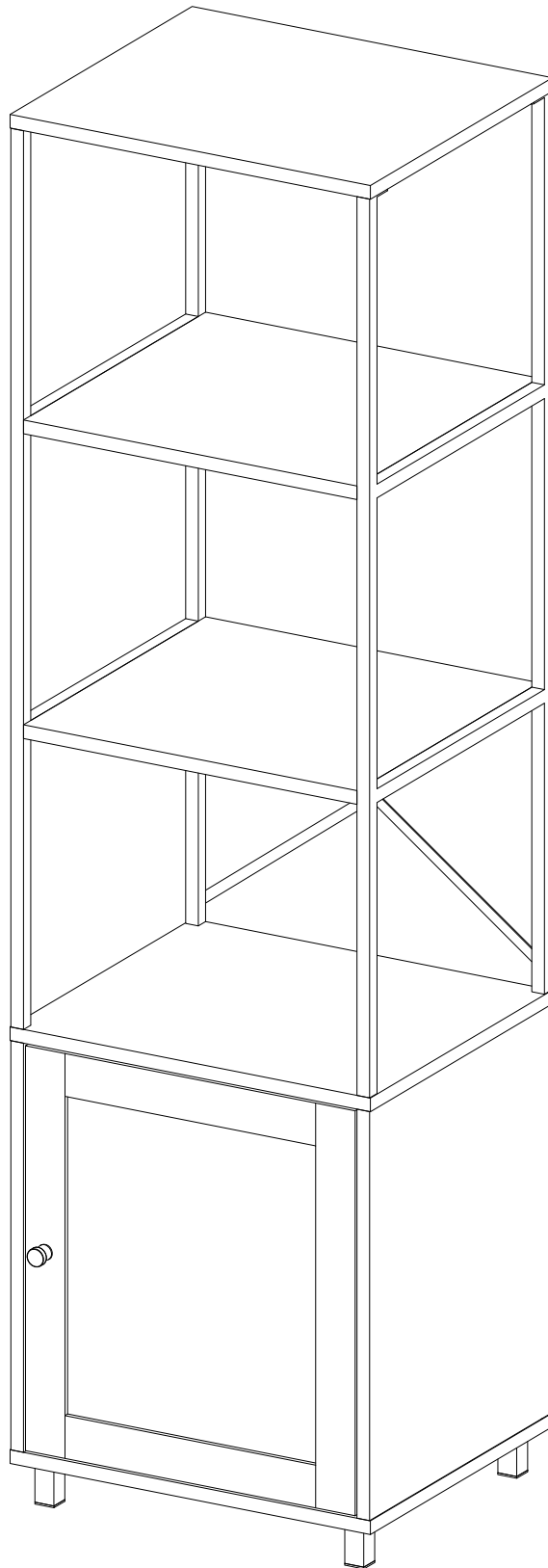
Using screw (Y) attach Flat Washer (W) ,Bracket (V) and Nut (Z) to Wall with Philips head screwdriver as per diagram.

Step 18



Final Assembly A

Step 19



Final Assembly B