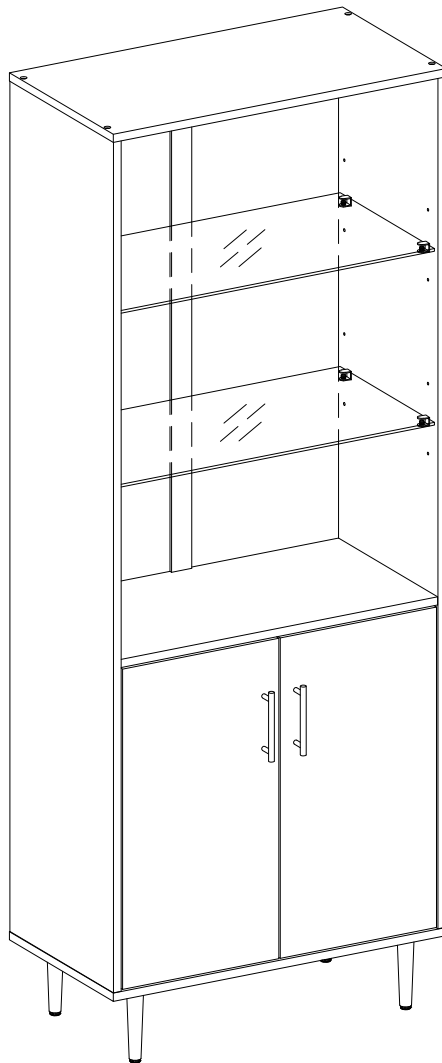


Item # : BS68BMHUT Assembly Instructions



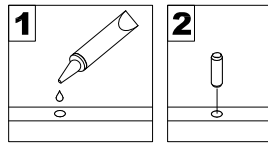
Walker Edison®

Please visit our website for the most current instructions, assembly tips, report damage, or request parts. www.walkeredison.com

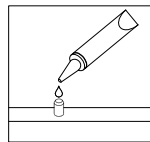
Revised 20/09/2019(C)

General Assembly Guidelines

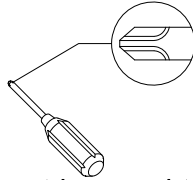
- I. Ensure that all parts and hardware are available before beginning assembly.
- II. Follow each step carefully to ensure the proper assembly of this product.
- III. Two people are recommended for ease in the assembly of this product.
- IV. The three main types of hardware used to assemble this product are: wood dowels, screws and bolts.
- V. The provided glue is to secure wood dowels in place. When first inserting dowels, locate the appropriate hole for the dowel, place a small amount of glue in the hole and insert the dowel. Wipe away excess glue immediately.



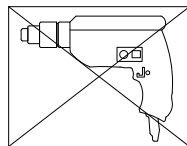
In future assembly steps when dowels are necessary to attach assembly parts together, place a small amount of glue on the end of the dowel before attaching parts together. Wipe away excess glue immediately.



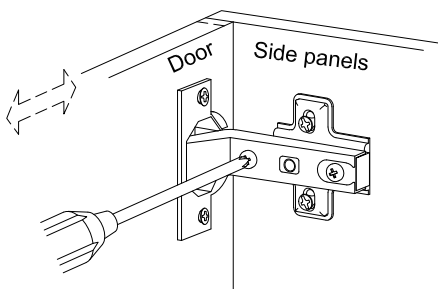
- VI. A Phillips head screwdriver is required for the assembly of this product.



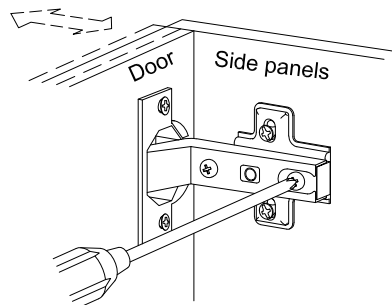
- VII. Power tools should not be used to assemble this product.



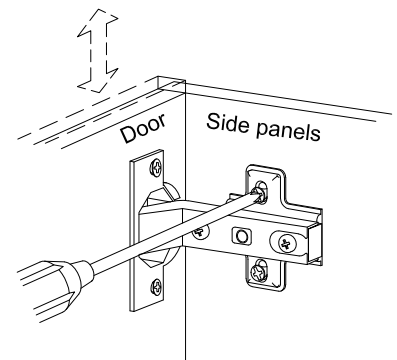
- VIII. Drill may be needed for securing product to wall.
- IX. Concealed hinges are three-way adjustable.



Horizontal
by screw adjustment

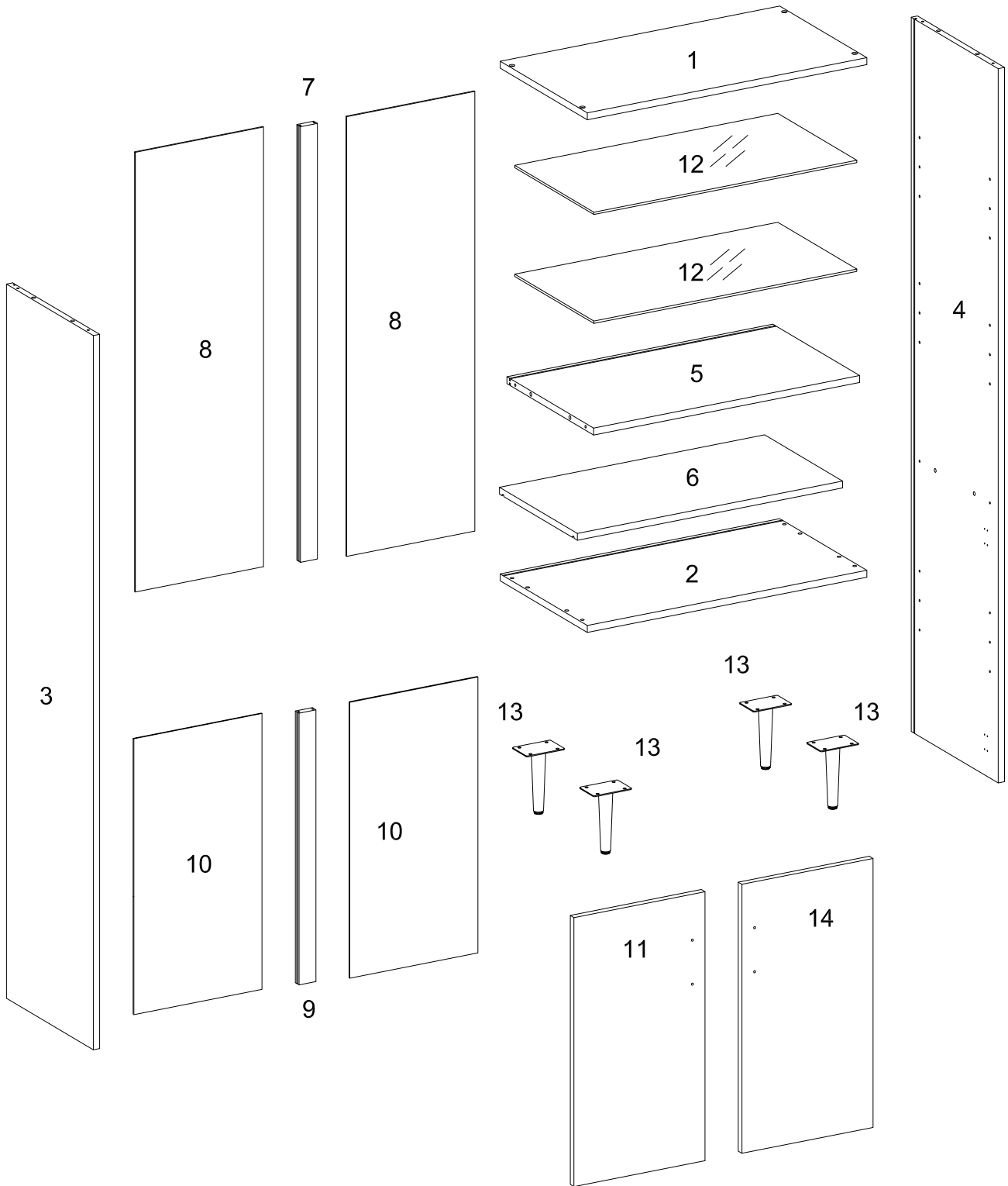


In-and-Out
by loosening the hinge-arm
mounting screw or via cam
adjustment



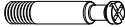

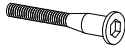




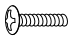

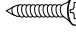
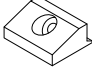
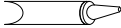



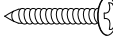




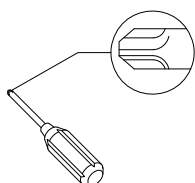
Vertical
Via slots in the mounting
plate or via cam adjustment

Parts List



Hardware List

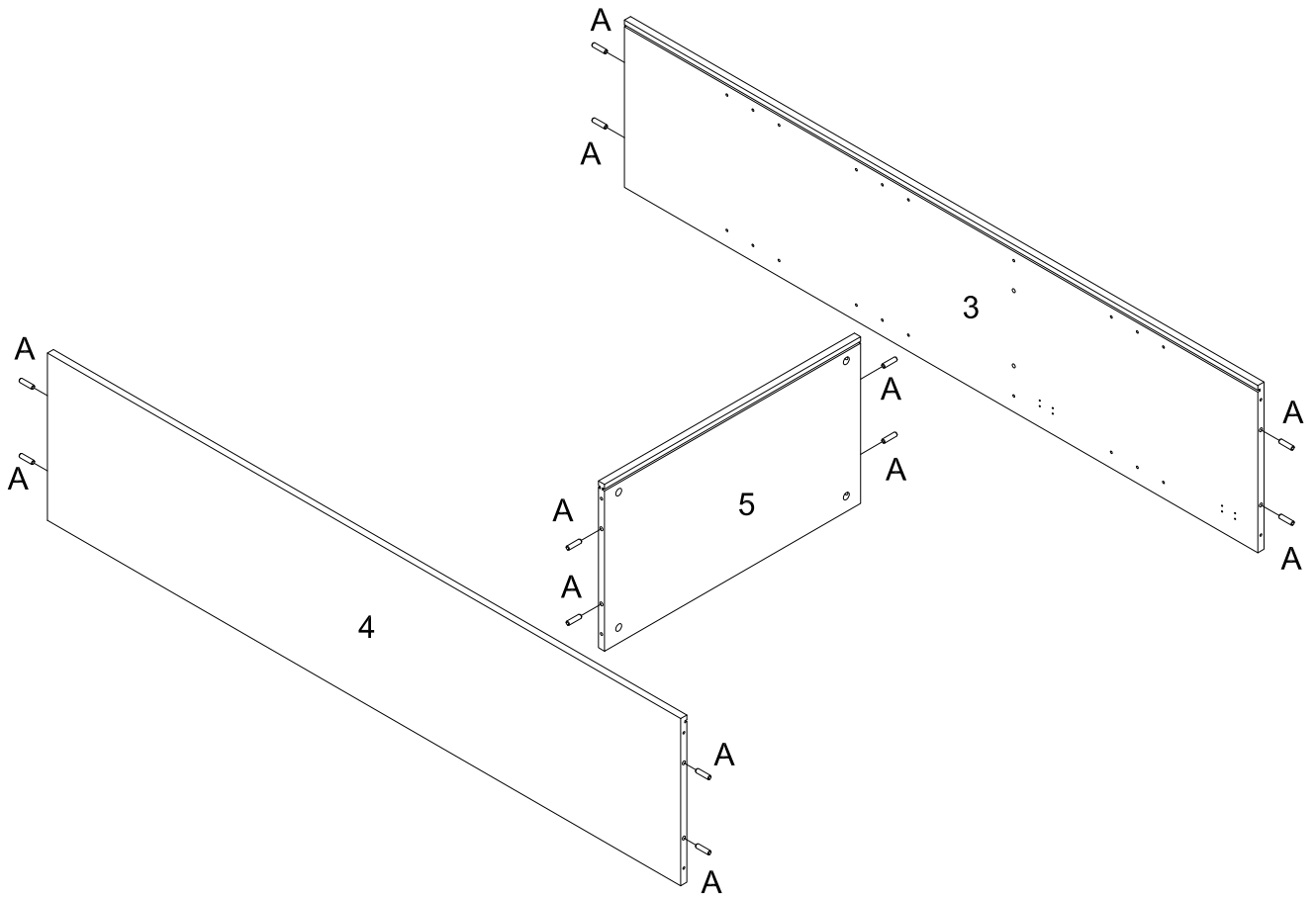
A		Ø8x30mm	Wooden dowel	12 pcs
B		Ø15x11mm	Cam lock	4 pcs
C		Ø6x35mm	Cam bolt	4 pcs
D		Ø30mm	Sticker	4 pcs
E		Ø6x50mm	Screw	8 pcs
F		M 4	Hex Key	1 pc
G		Ø6x12mm	Bolt	16 pcs
H			Glass holder	8 pcs
J			Shelf support pin	4 pcs
K		Ø4x19mm	Handle Bolt	4 pcs
L			Handle	2 pcs
M		Ø3x17mm	Screw	16 pcs
N			Plastic wedge	16 pcs
P			Glue tube	1 pc
Q			Euro hinge	4 pcs
R		Ø3.5x14mm	Screw	24 pcs
S		Ø4x12mm	Screw	2 pcs
T		Ø4x25mm	Screw	2 pcs
U			Plastic strap	2 pcs
V			Nut	2 pcs



Philips head screwdriver required for assembly
(not included)

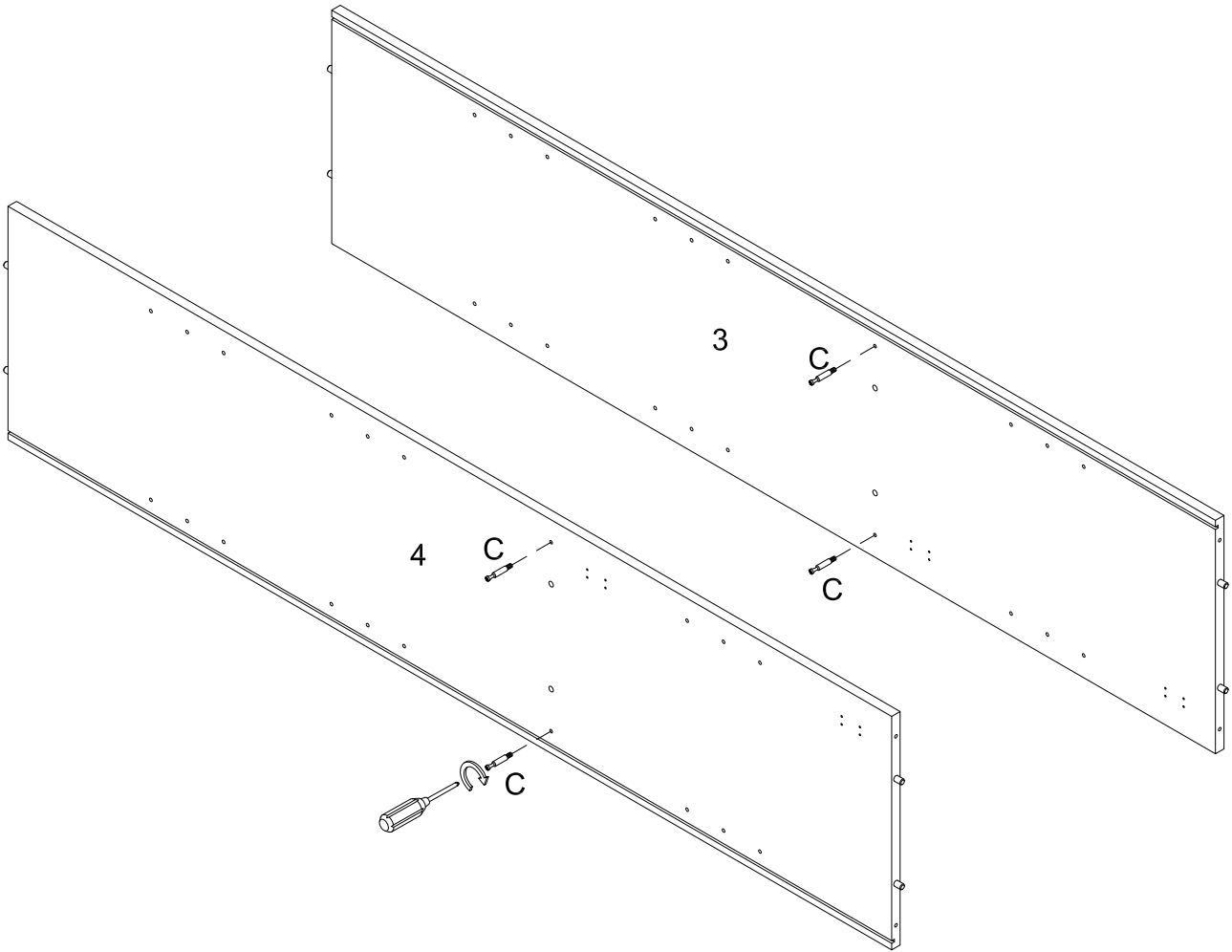
*The hardware quantities listed above are required for proper assembly.
Some extra hardware may also have been included.*

Step 1



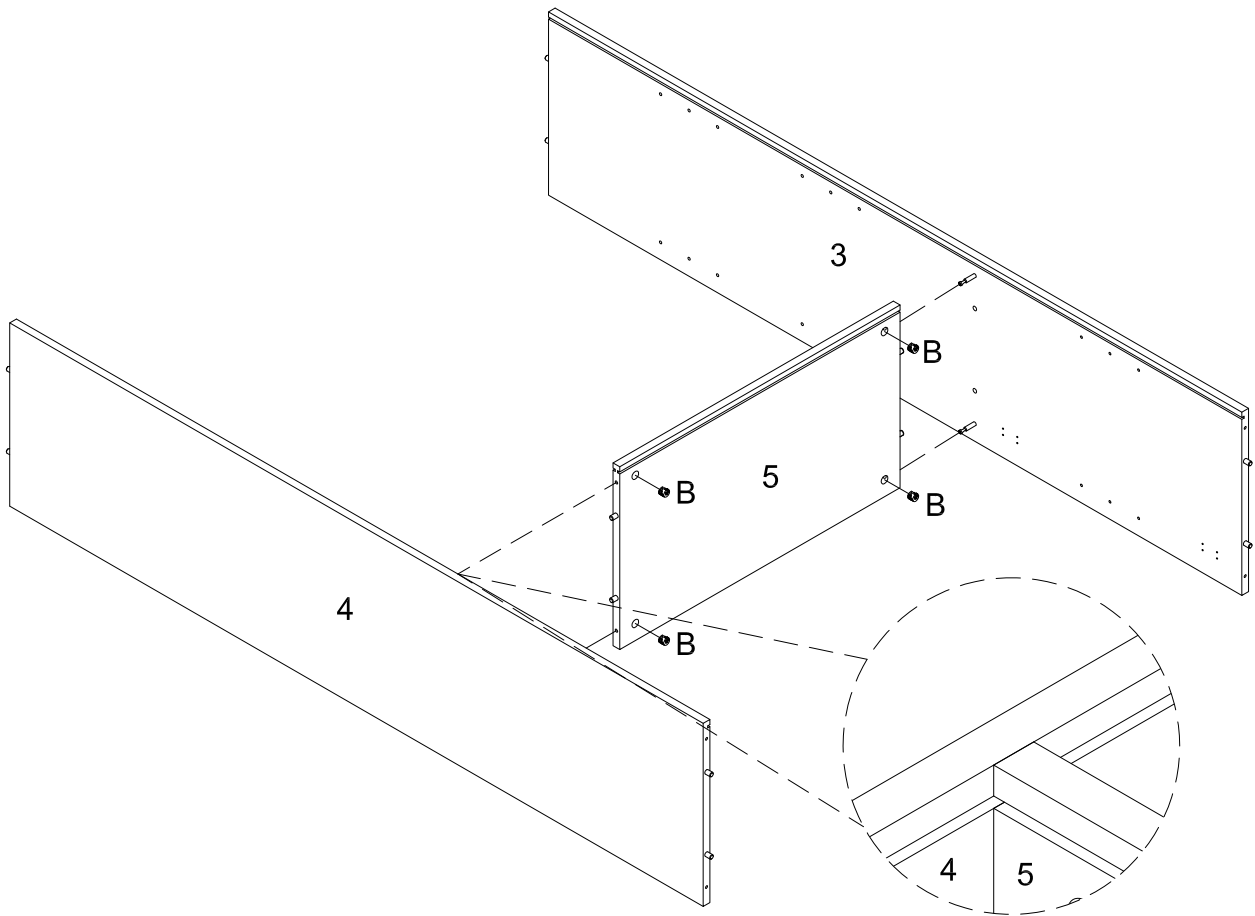
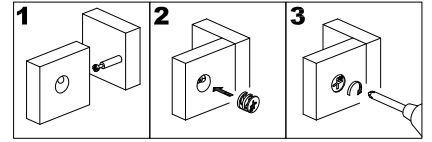
Insert wooden dowel (A) into parts (3,4,5) as per diagram.

Step 2



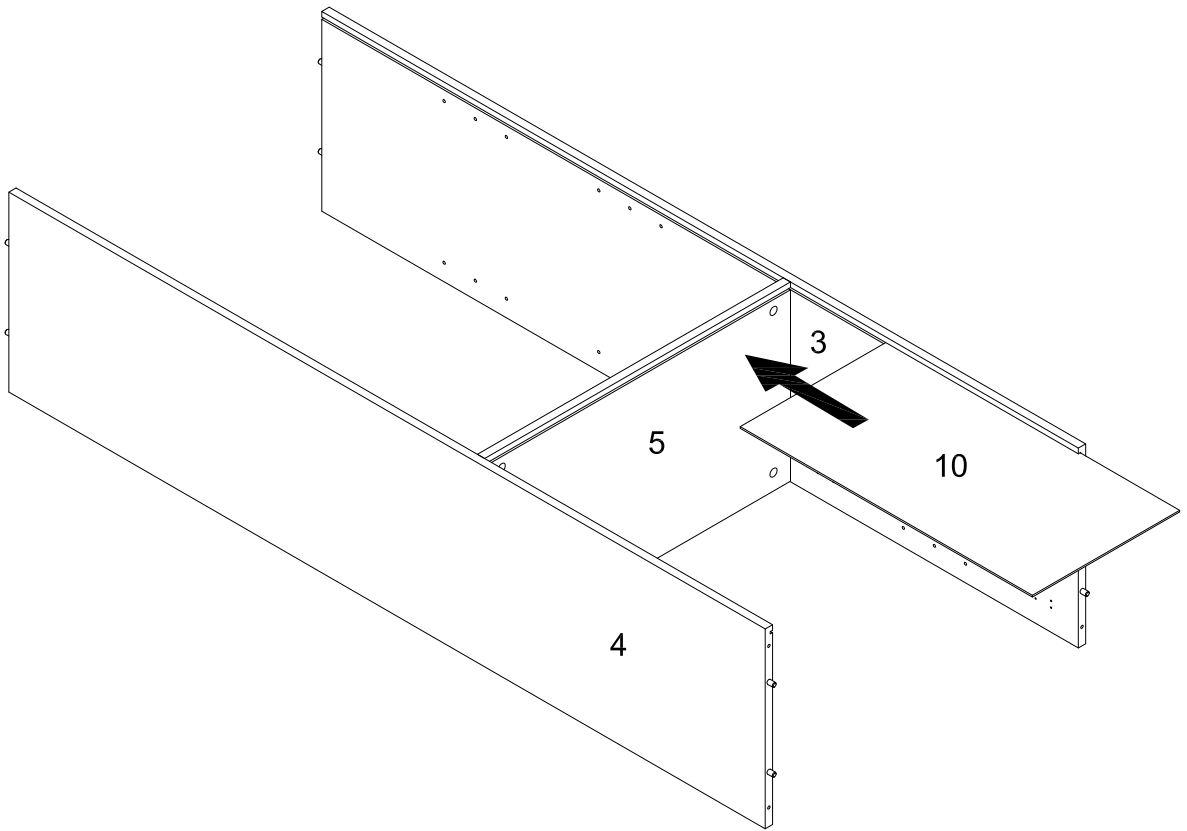
Using cam bolt (C) secure parts (3,4) with Philips head screwdriver as per diagram.

Step 3



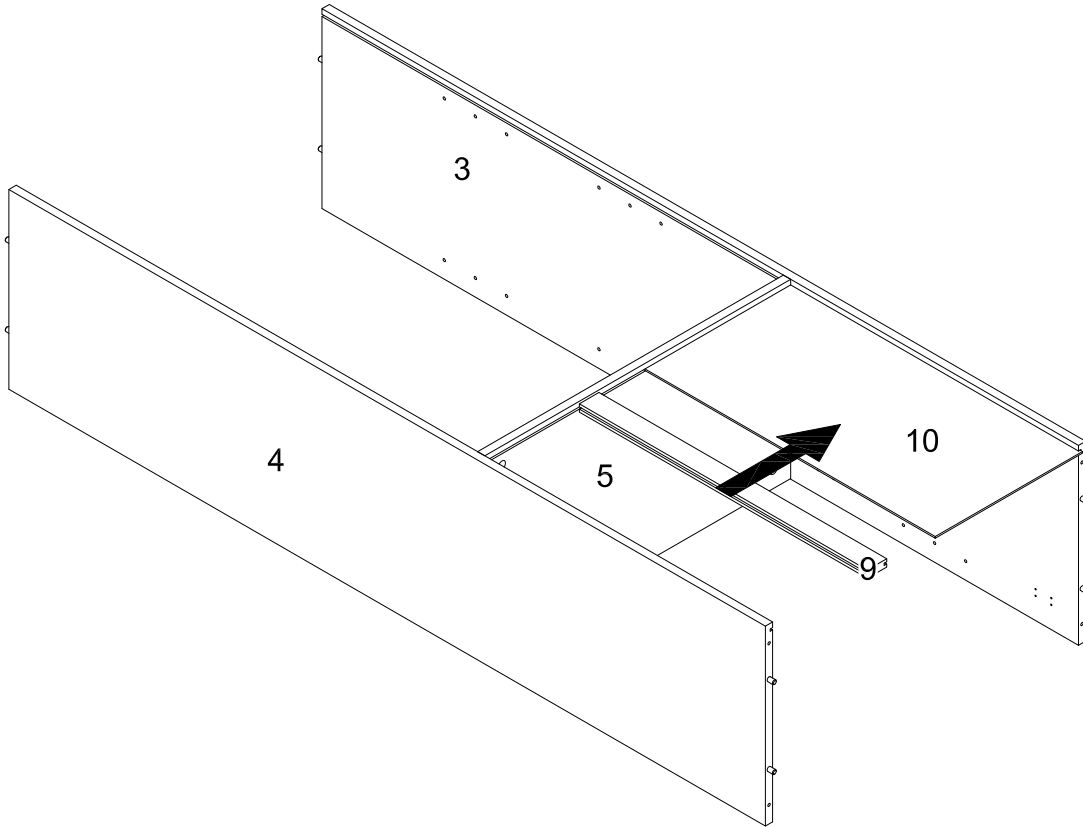
Using cam lock (B) attach parts (3,4) to part (5) with Philips head screwdriver as per diagram.

Step 4



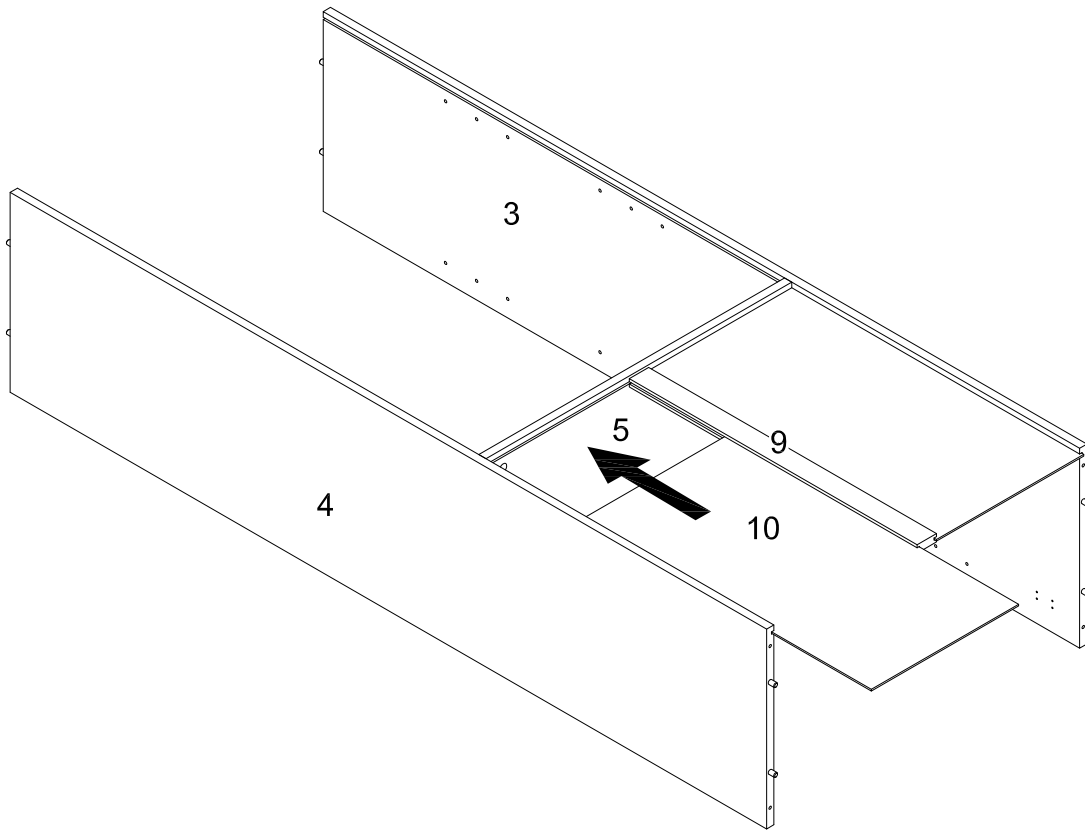
Put part (10) as per diagram.

Step 5



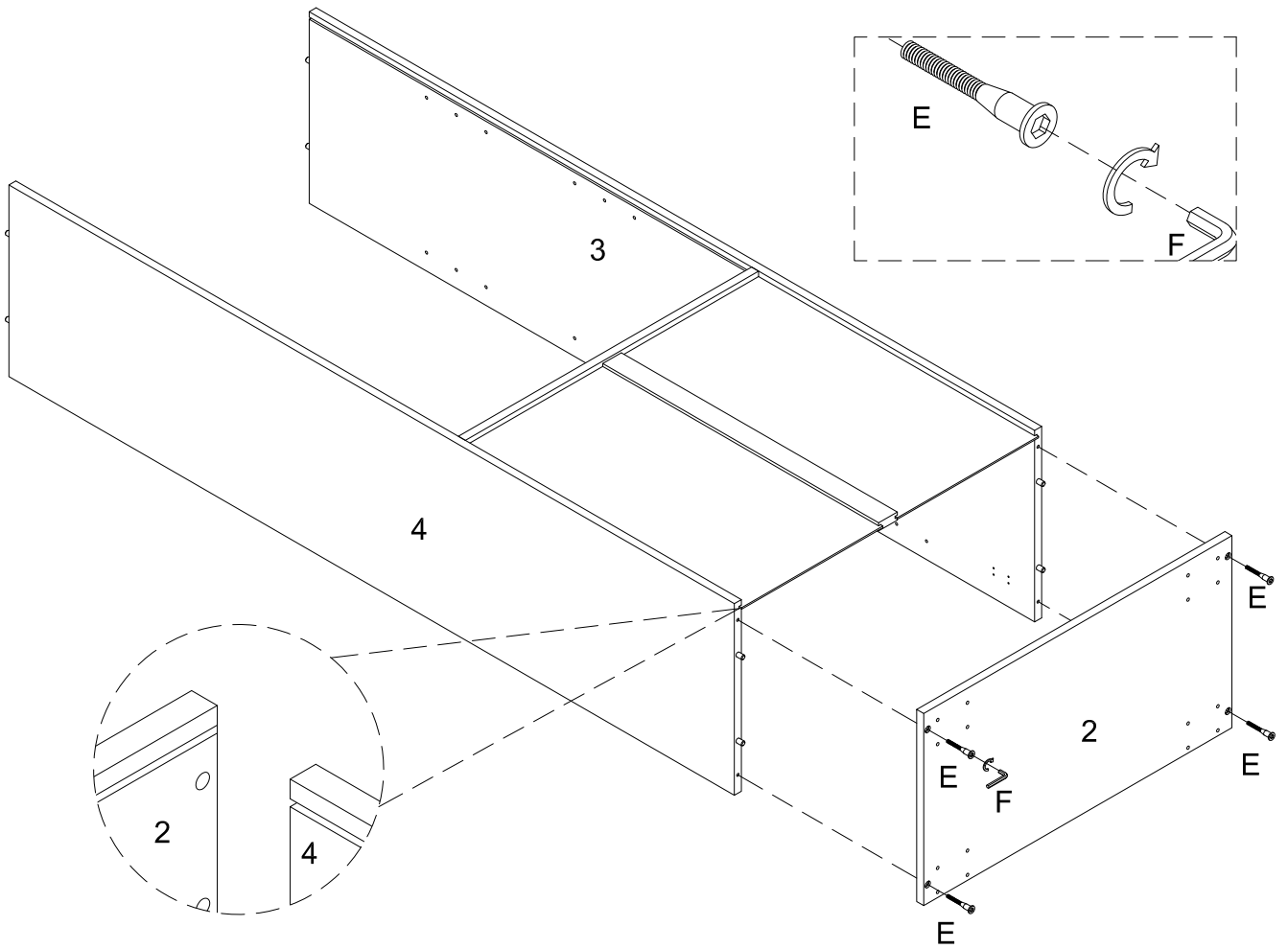
Put part (9) as per diagram.

Step 6



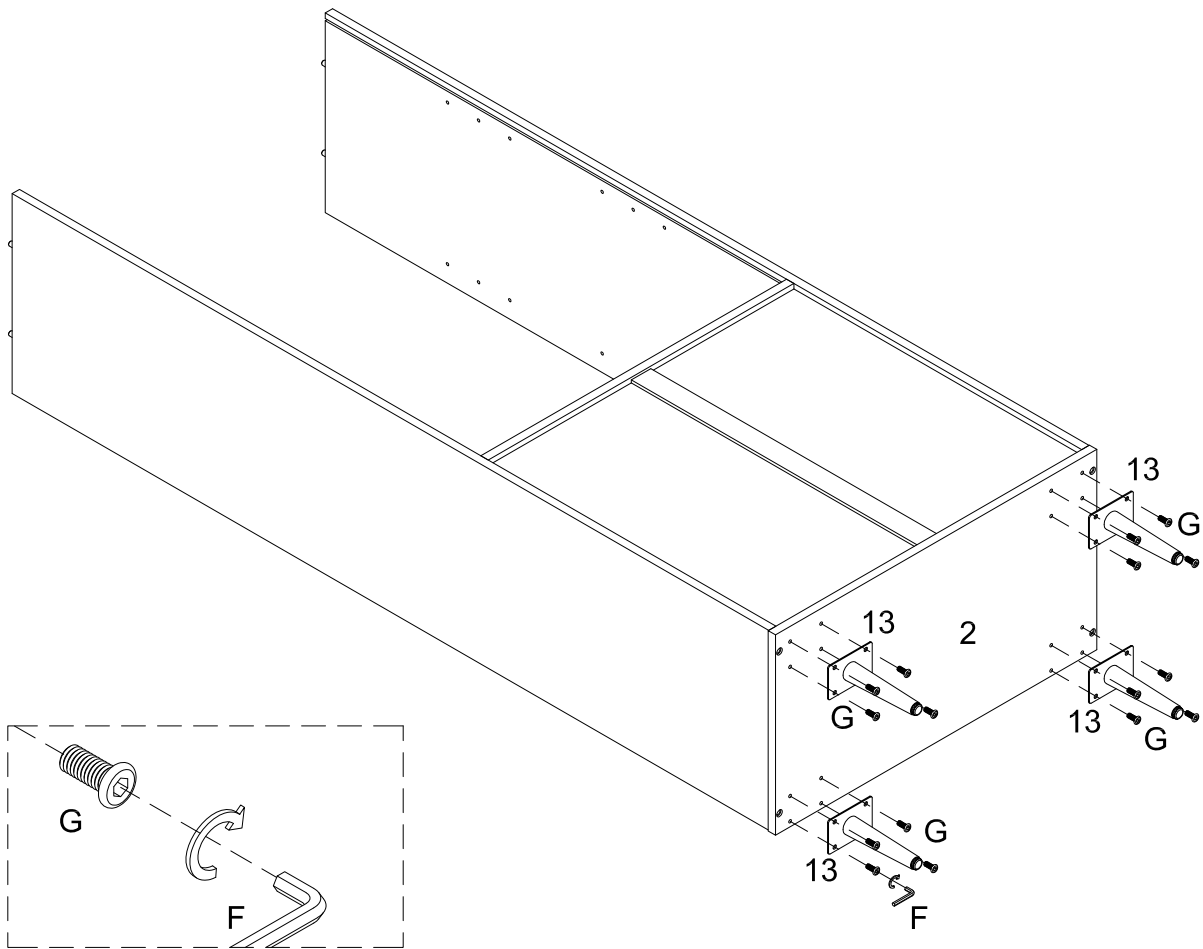
Put part (10) as per diagram.

Step 7



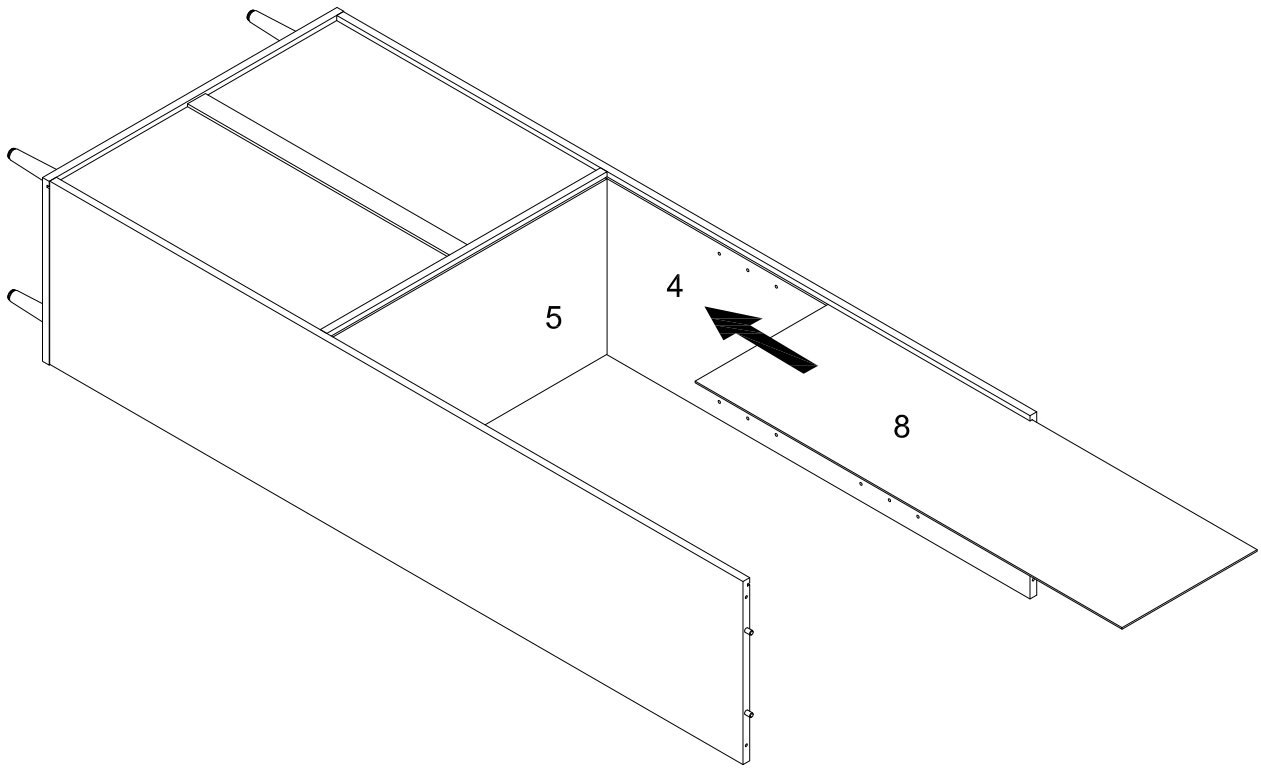
Using screw (E) attach part (2) into parts (3,4) with hex key (F) as per diagram.

Step 8



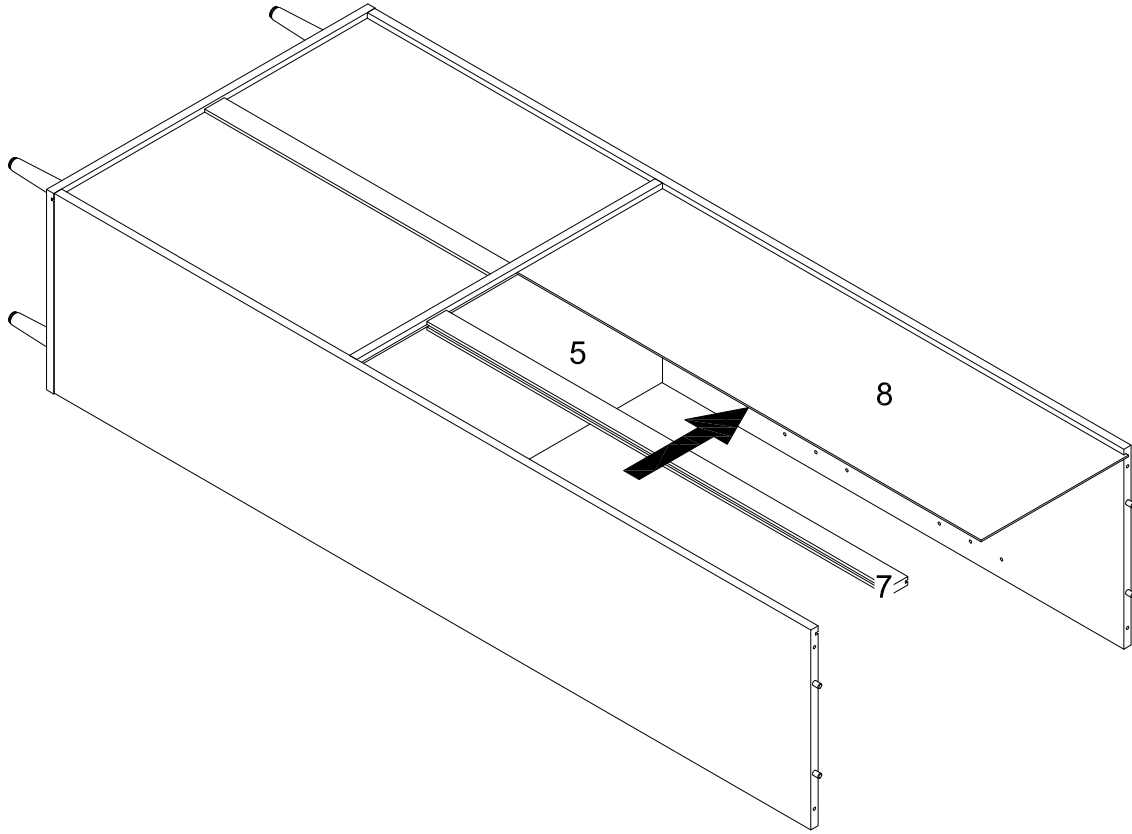
Using bolt (G) attach part (13) into part (2) with hex key (F) as per diagram.

Step 9



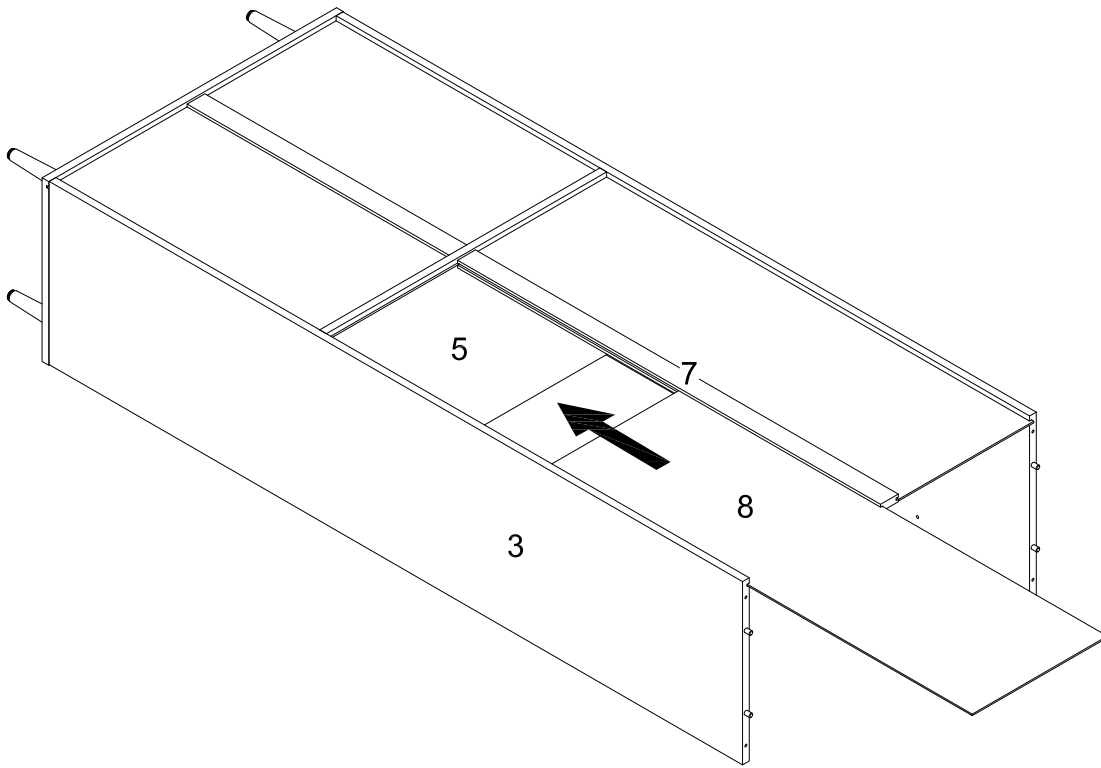
Put part (8) as per diagram.

Step 10



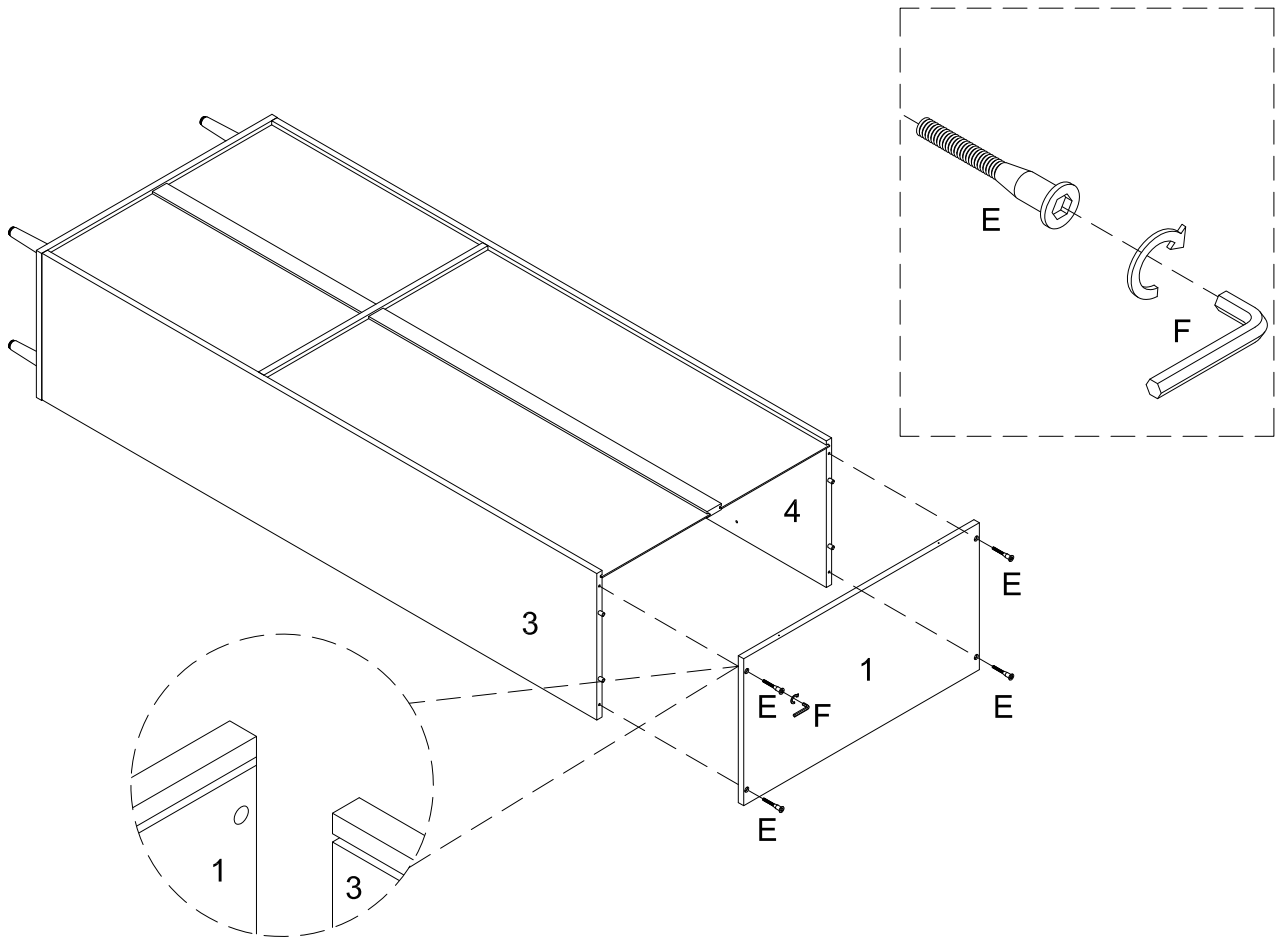
Put part (7) as per diagram.

Step 11



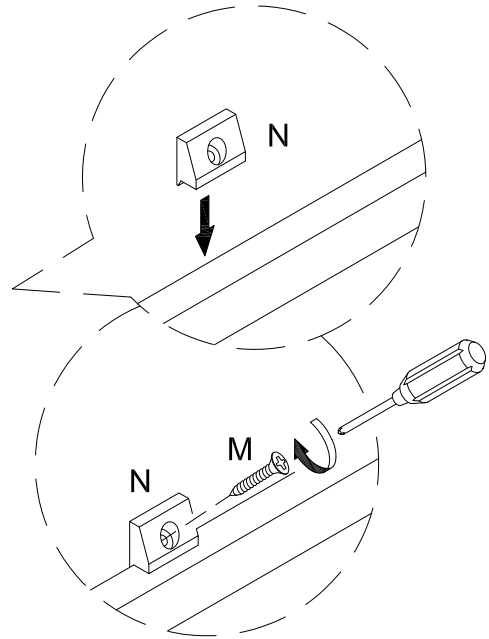
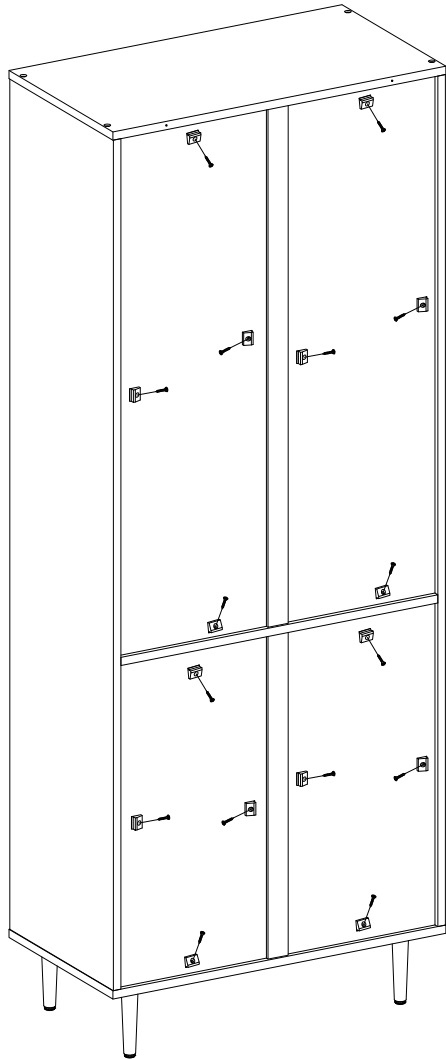
Put part (8) as per diagram.

Step 12



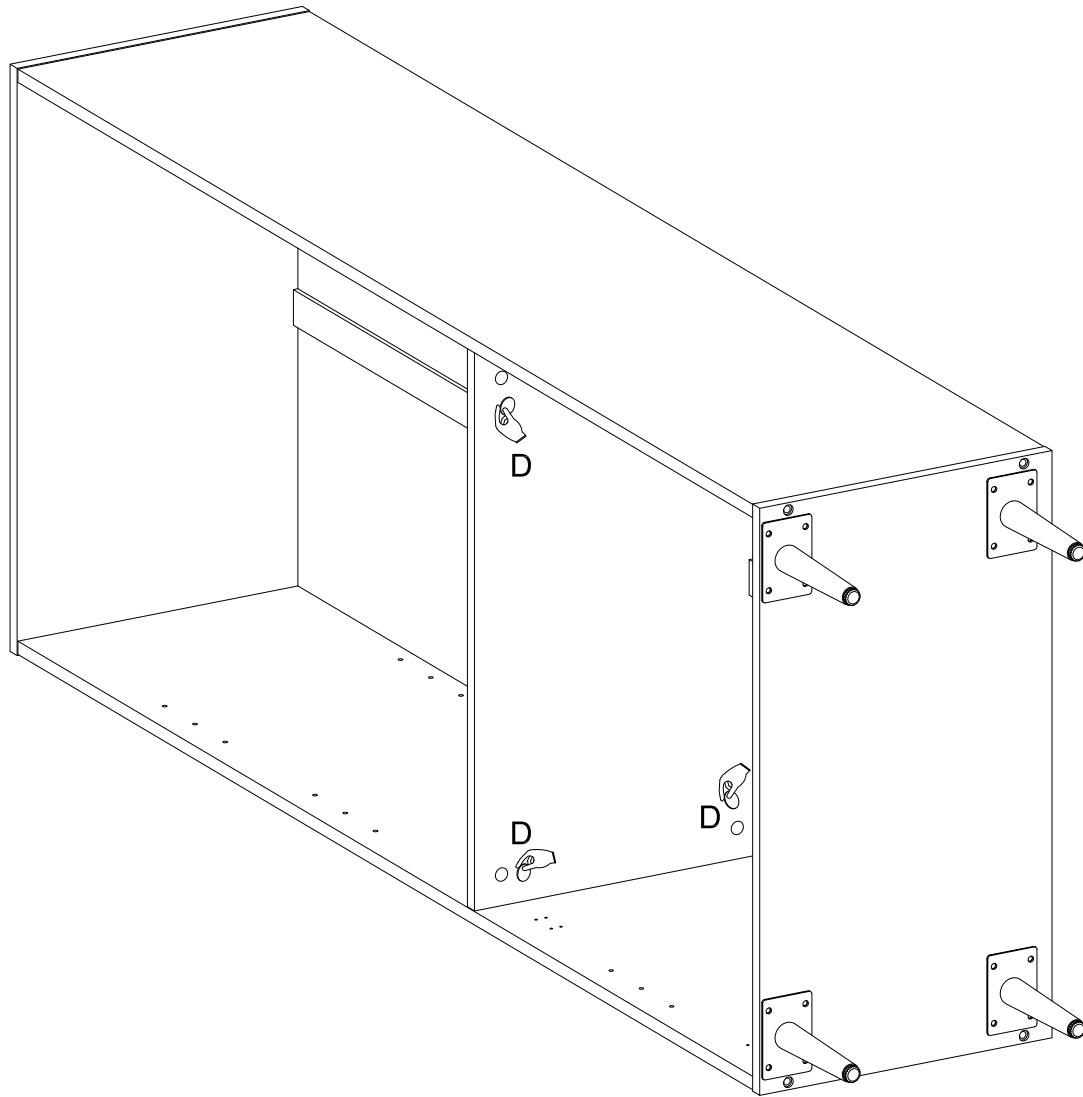
Using screw (E) attach part (1) into parts (3,4) with hex key (F) as per diagram.

Step 13



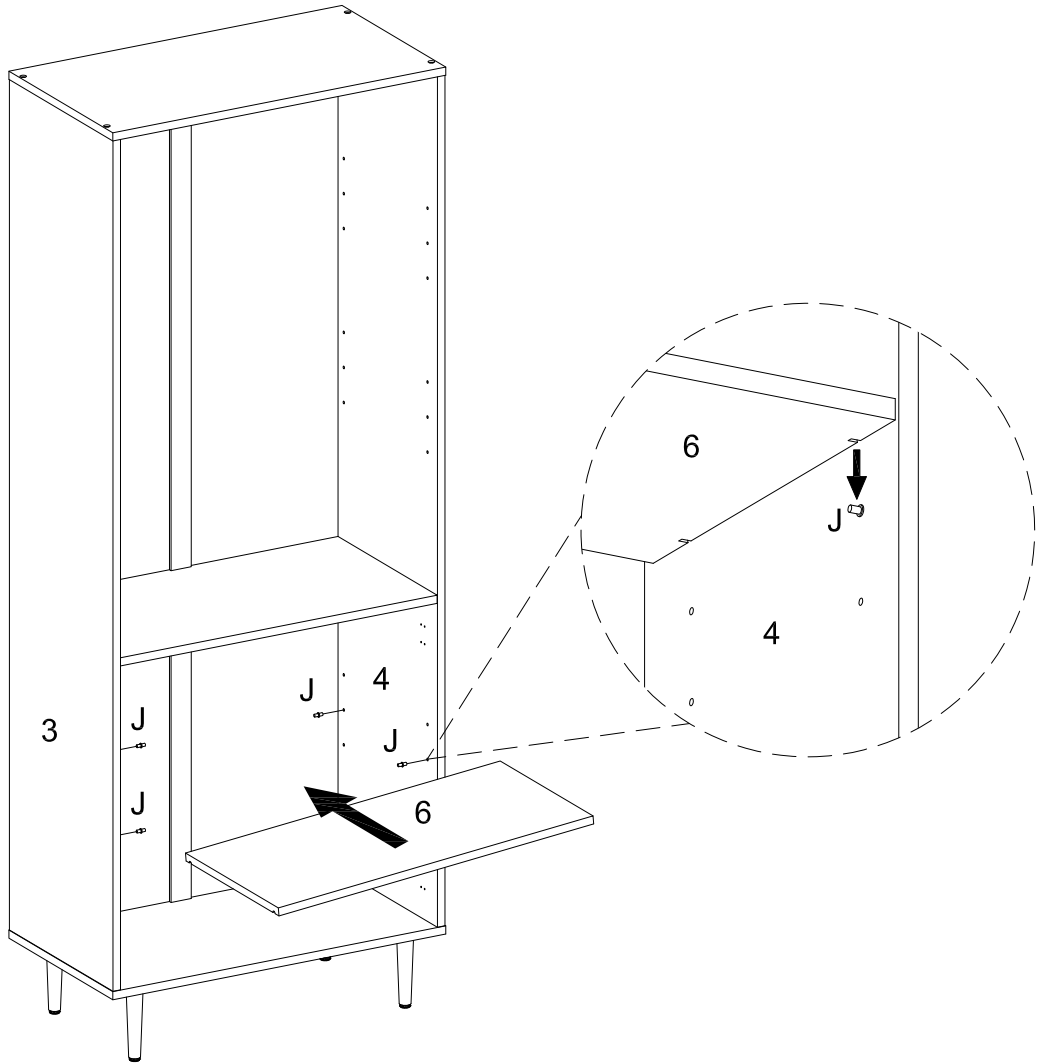
Using screw (M) attach plastic wedge (N) into back panel with Philips head screwdriver as per diagram.

Step 14



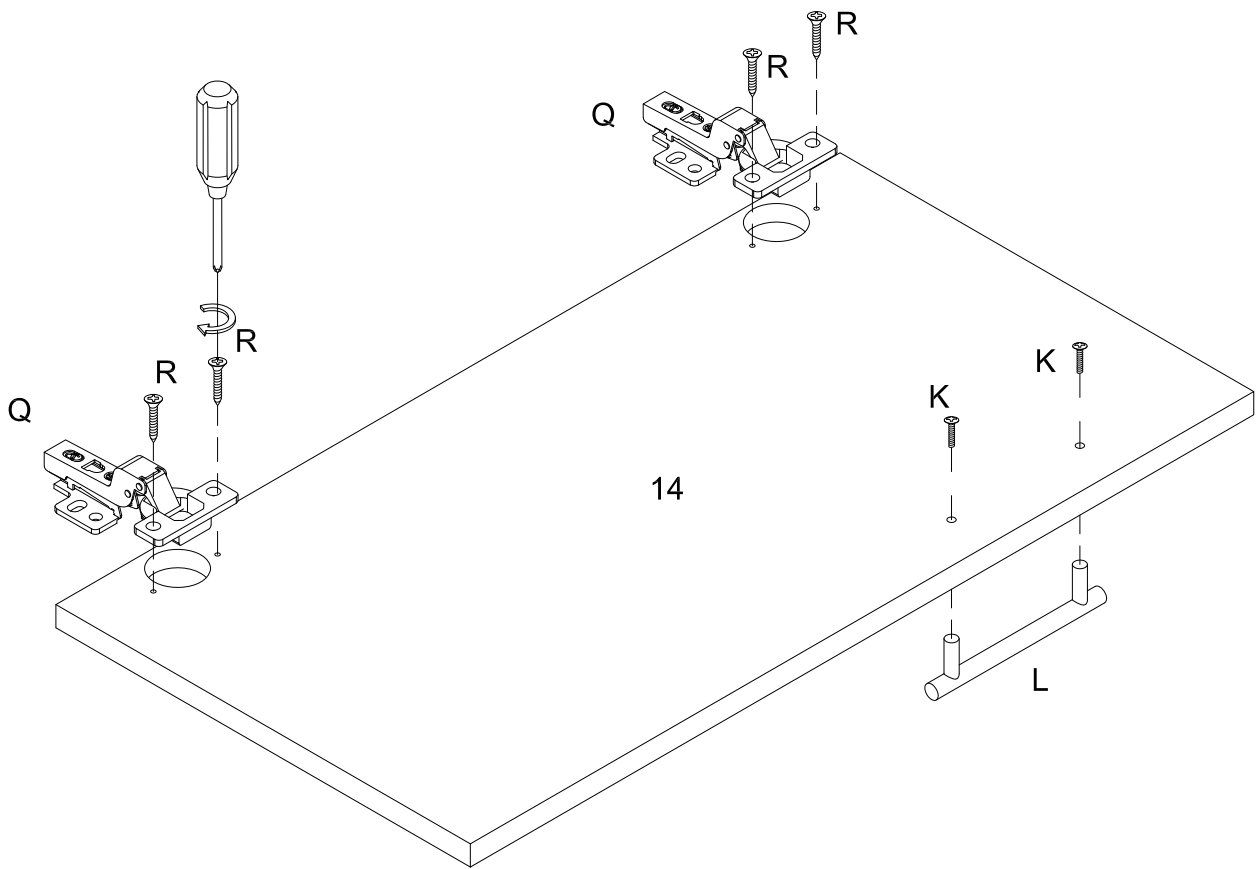
Place sticker (D) cover the holes as per diagram .

Step 15



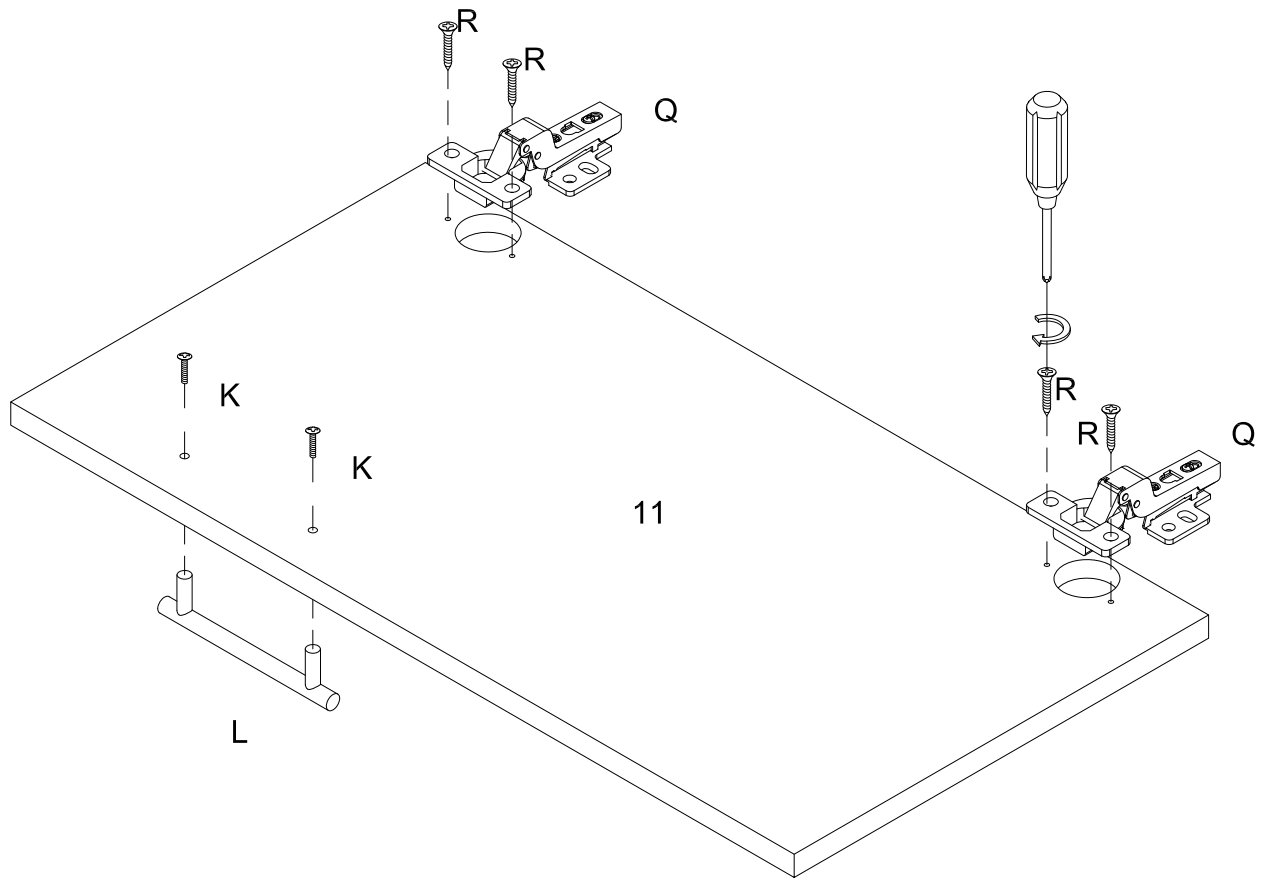
Insert shelf support pin (J) into parts (3,4), then put part (6) as per diagram.

Step 16



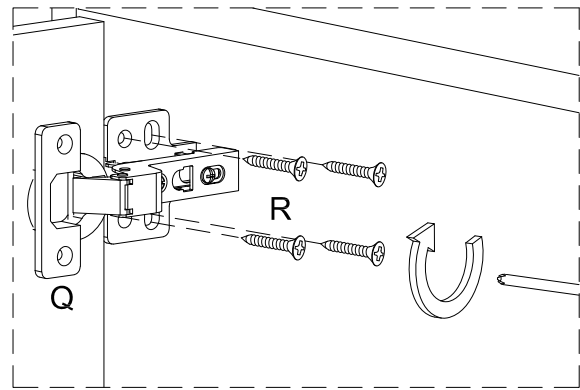
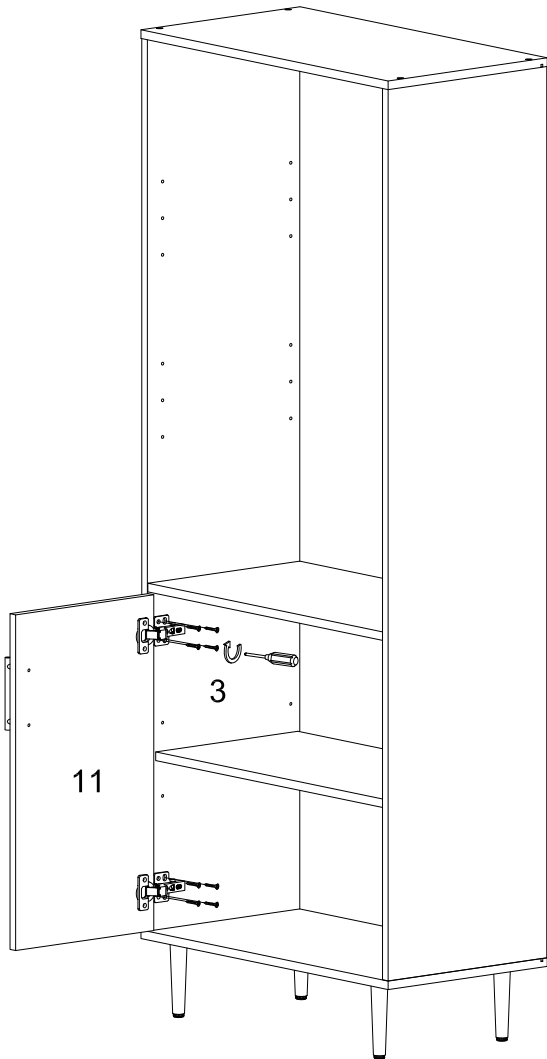
Using screw (R) attach Euro hinge (Q) into part (14) and using handle bolt (K) secure handle (L) to part (14) with Philips head screwdriver as per diagram.

Step 17



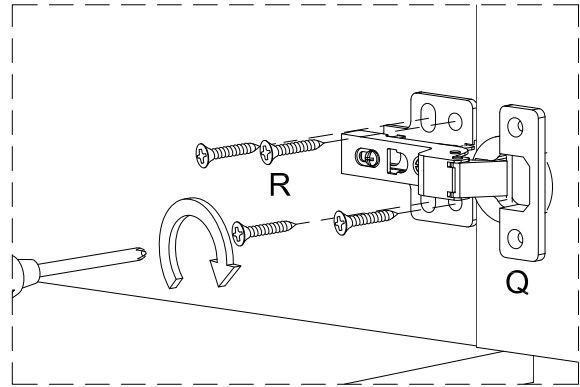
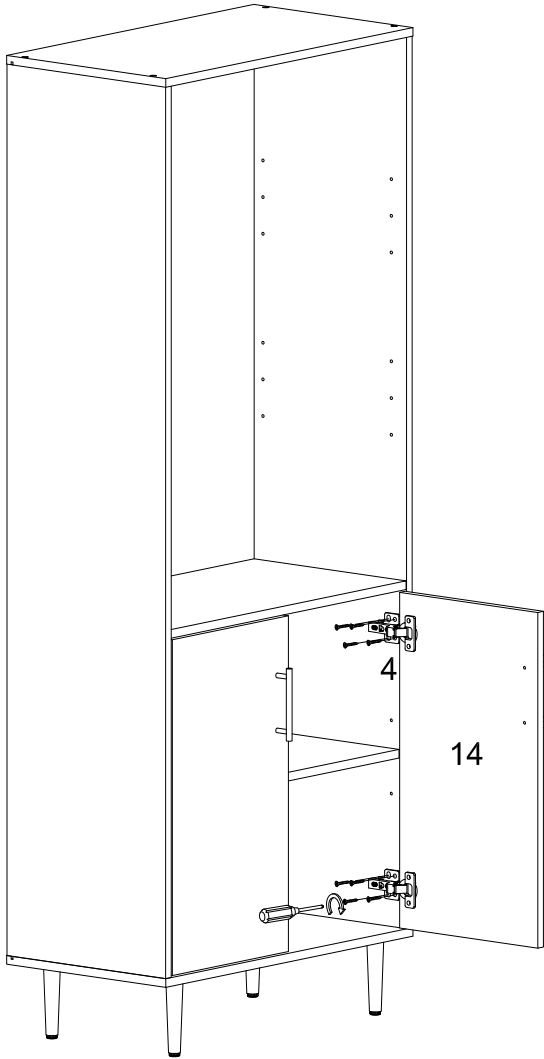
Using screw (R) attach Euro hinge (Q) into part (11) and using handle bolt (K) secure handle (L) to part (11) with Philips head screwdriver as per diagram.

Step 18



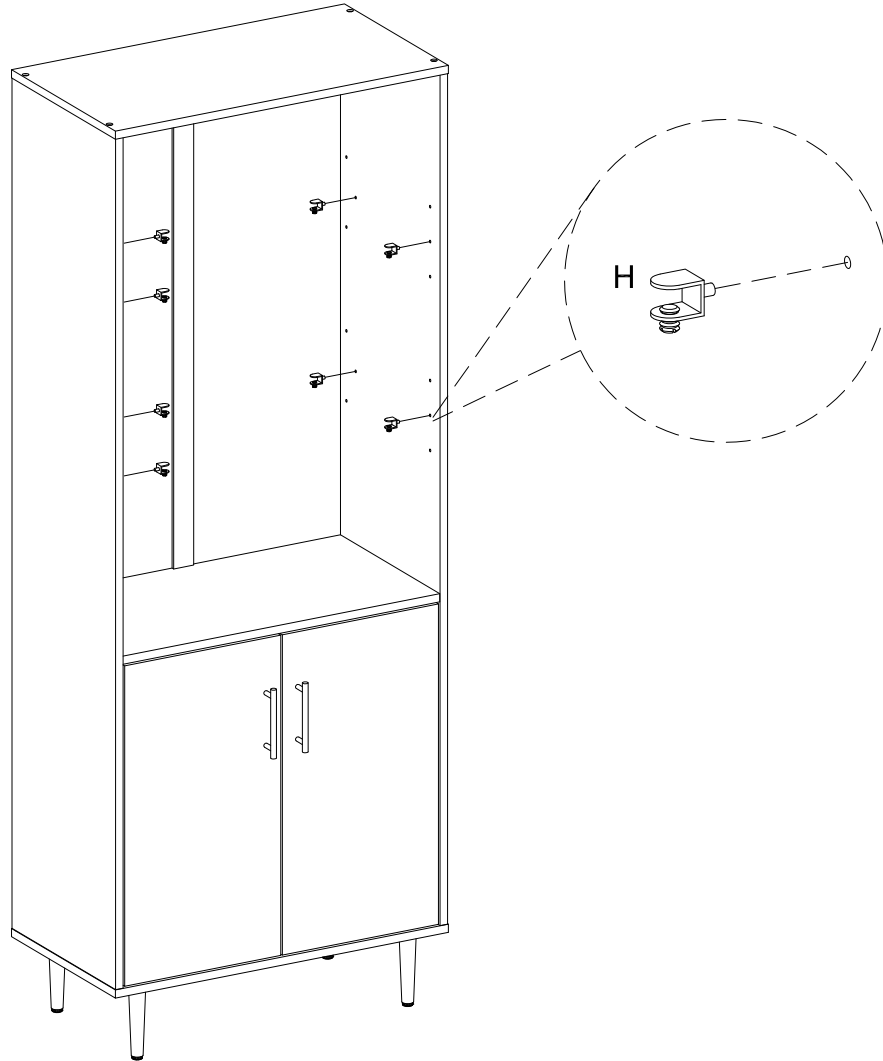
Using screw (R) attach Euro hinge (Q) into part (3) with Philips head screwdriver as per diagram.

Step 19



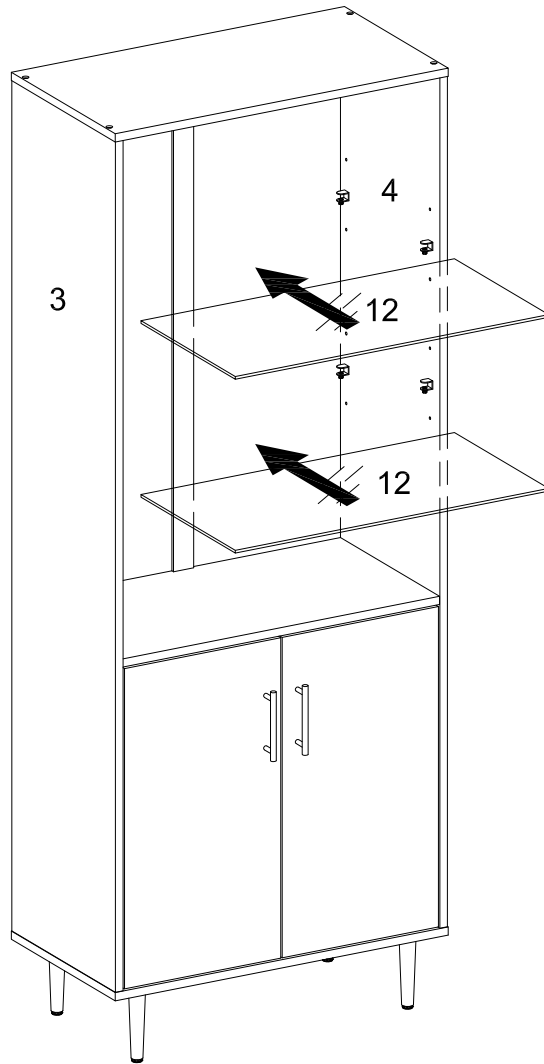
Using screw (R) attach Euro hinge (Q) into part (4) with Philips head screwdriver as per diagram.

Step 20

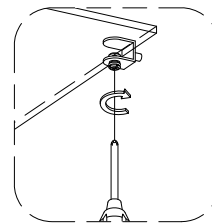
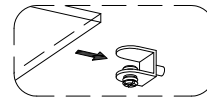
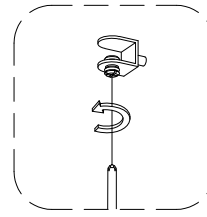


Put part (H) as per diagram.

Step 21

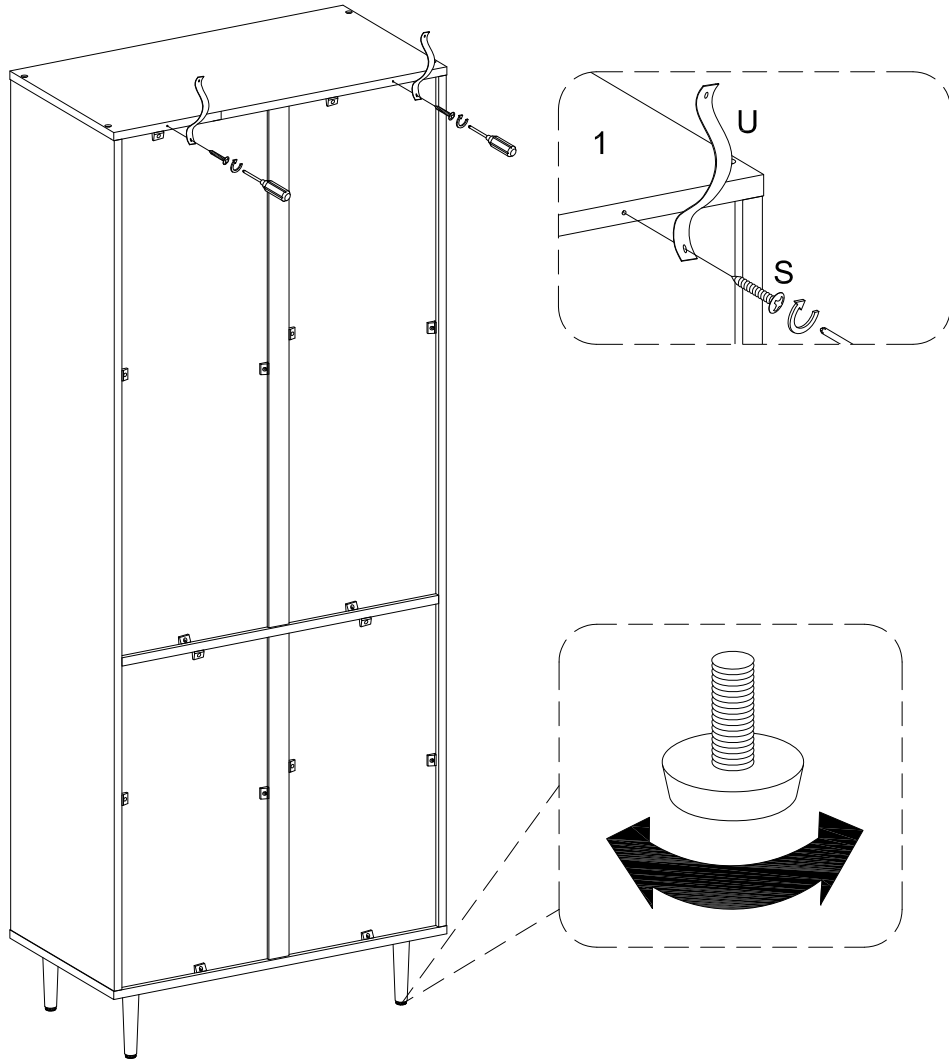


x 2



Put part (12) as per diagram.

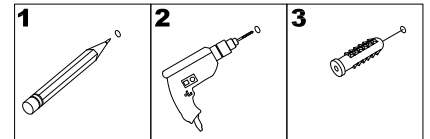
Step 22



Using screw (S) attach plastic strap (U) into part (1) with Philips head screwdriver as per diagram. If necessary, adjust the pre-attached Floor Levelers at the bottom of metal legs (13) to level the unit.

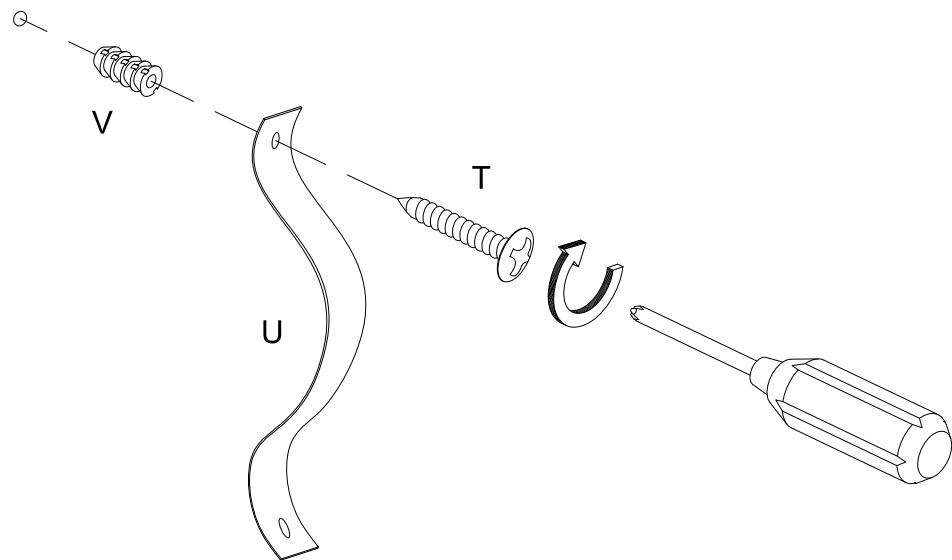
Step 23

WARNING



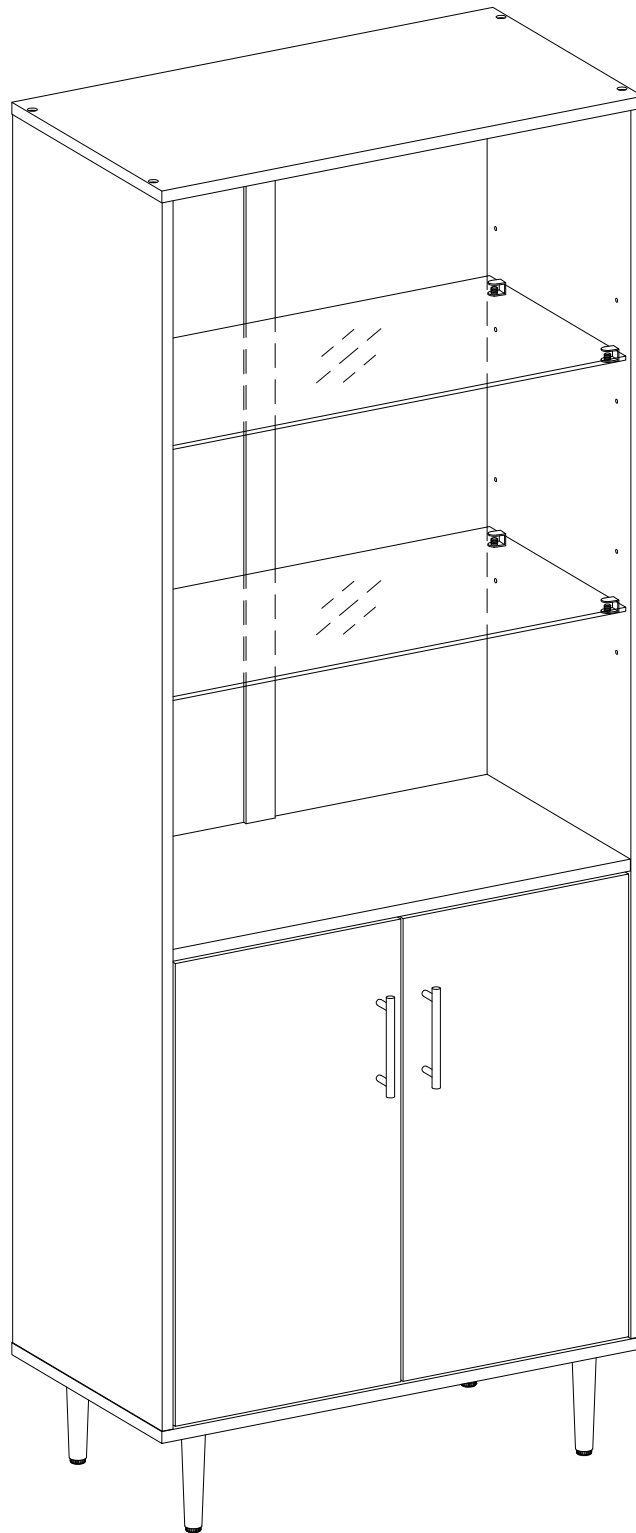
Serious or fatal injuries can occur from furniture tipping over. To prevent the furniture from tipping over we recommend that it is permanently fixed to the wall. Wall anchor and hardware are included with this product. Please make sure hardware is suitable for your walls before installing, as different wall materials may require different types of anchors.

Wall



Using screw (T) attach plastic strap (U) into nut (V) to wall with Philips head screwdriver as per diagram.

Step 24



Final Assembly