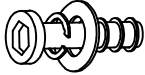


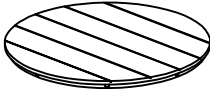
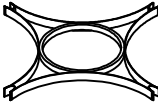
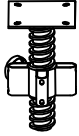
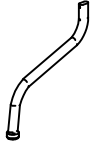
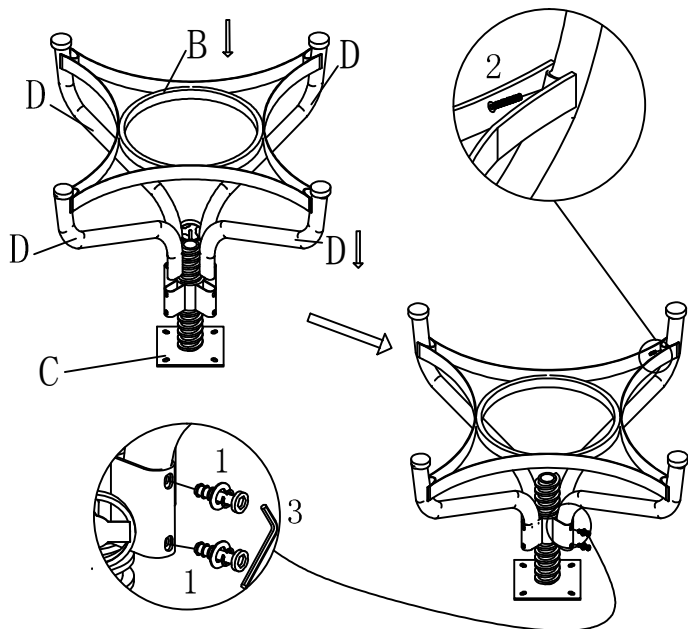


HARDWARE LIST				PART LIST																							
1	1/4*19	12PCS	2	1/4*19	4PCS	3		1PC		A		1PC	B		1PC	C		1PC	D		4PCS						
																											
5										E			F														

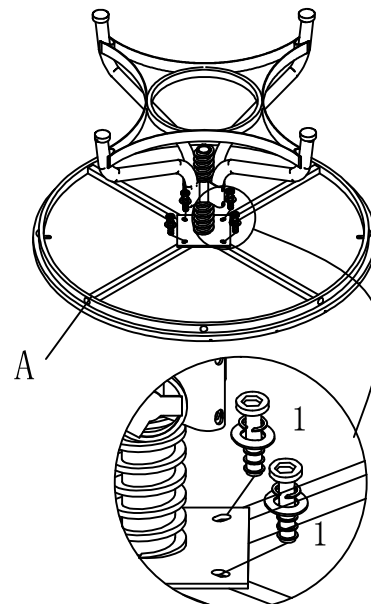
# ASSEMBLY INSTRUCTION

1PC/CTN

STEP:1



STEP:2



STEP:3

