



ASSEMBLY INSTRUCTION





SSIC EC100CL Erica Lift Top Cocktail Table

SKU# 22010122

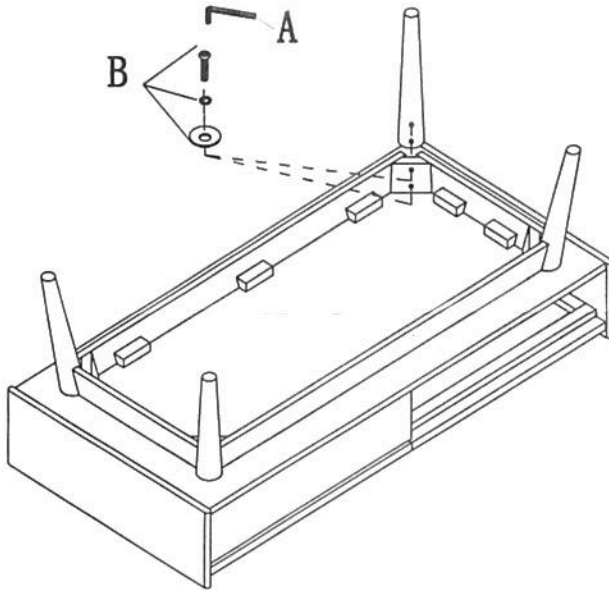
Thank you for purchasing our product, please study the diagram and inventory all parts before assembling.
Important Note:

Follow instructions listed below in the proper sequence to assure fast, easy and correct assembly.
Do not completely tighten until the item has been fully assembled.

1. Upon opening thoroughly clean all wood surfaces with a clean soft cloth and furniture polish to remove dust and dirt that may have settled during shipment.

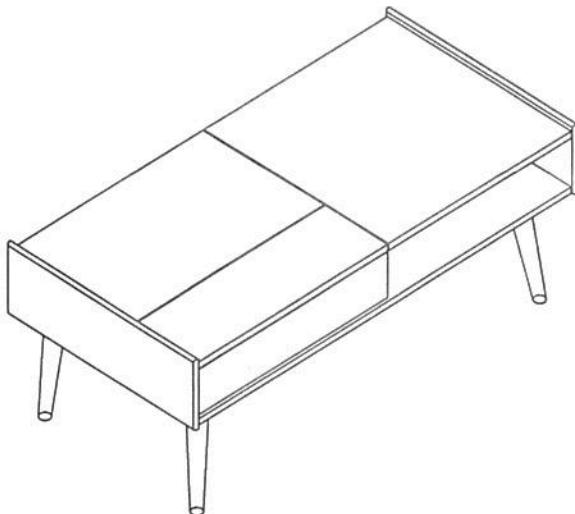
PARTS TABLE				HARDWARE LIST					
①	 TOP 1 PC	②	 LEG 4 PCS	A	 ALLEN WRENCH (ø1/4)	1PC	B	 Bolt: ø1/4" x 2" 36 threads per inch Lock washer: ø1/4" Washer: ø1/4" x 19mm	8PCS

Step 1

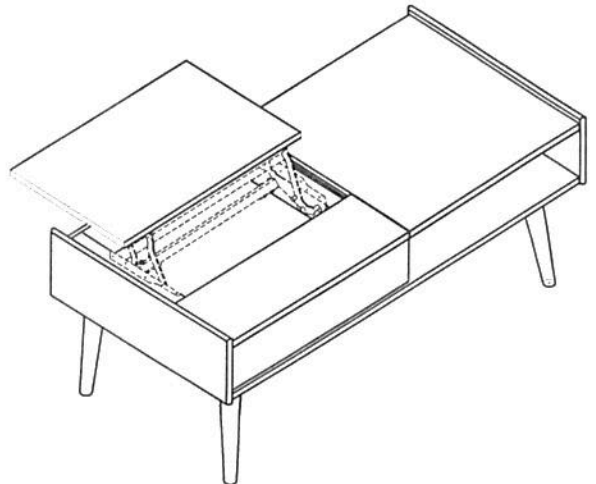


Note: More than 2 people assemble required.

Step 2



Step 3



MADE IN CHINA