



# Assembly Instructions

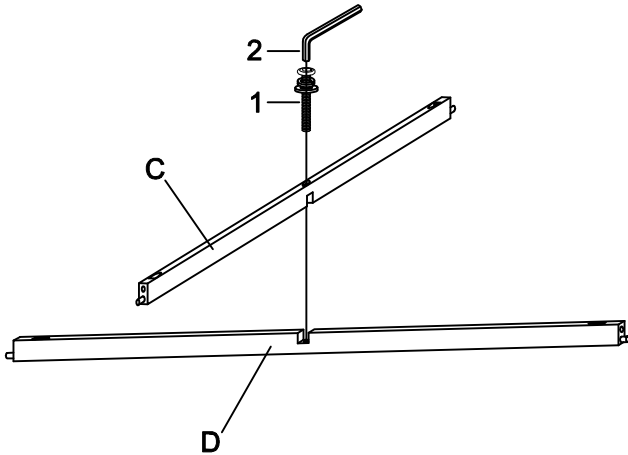
SUFU #3826 COCKTAIL TABLE

SKU# 22038269

P: 2 of 2

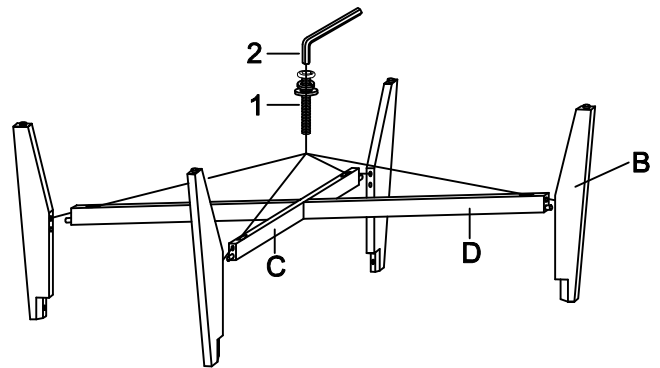
Unpack the carton and place all parts on a non-abrasive floor.

**Step 1: Attach the Stretcher (C) to the other Stretcher (D) with Flat Washer, Spring Washer, and Bolt (#1), and tighten in Bolt (#1) by using Allen Wrench (#2).**



This step needs installation of one Bolt (#1) .

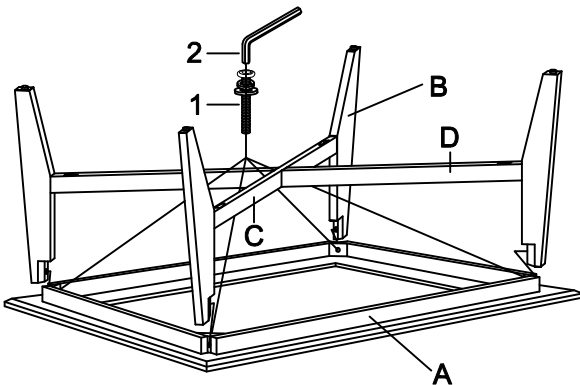
**Step 2: Attach Stretchers (C) & (D) onto the Legs (B) with Flat Washers, Spring Washers and, Bolts (#1), and tighten in Bolts (#1) by using Allen Wrench (#2). ONLY HALF-WAY TIGHTEN THE BOLTS.**



This step needs installation of four Bolts (#1).

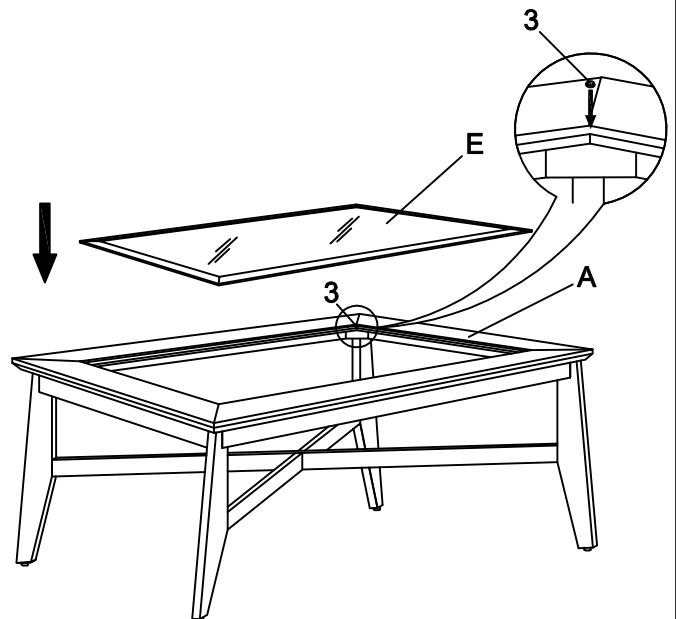
**Step 3: Attach the Legs (B) with Stretchers (C) & (D) onto the Top Frame (A) with Flat Washers, Spring Washers, and Bolts (#1), by using Allen Wrench (#2).**

**Next, tighten ALL the Bolts (#1) at this step, including the Bolts (#1) from Steps 1 & 2.**



This step needs installation of four Bolts (#1) .

**Step 4: Stick Glass Tabs (#3) onto the four corners of the glass insert area. Next, insert the Top Glass (E) into the Top Frame (A). Now your table is ready to be used!**



**Assembly is now completed. Thank you for choosing this quality product!**