

**ROOMS
TO GO**

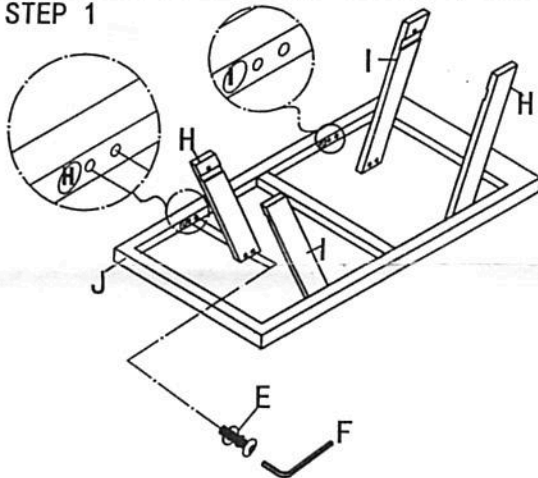
ASSEMBLY INSTRUCTION

ALEK N1226-1 Cocktail Table
SKU: 22042268

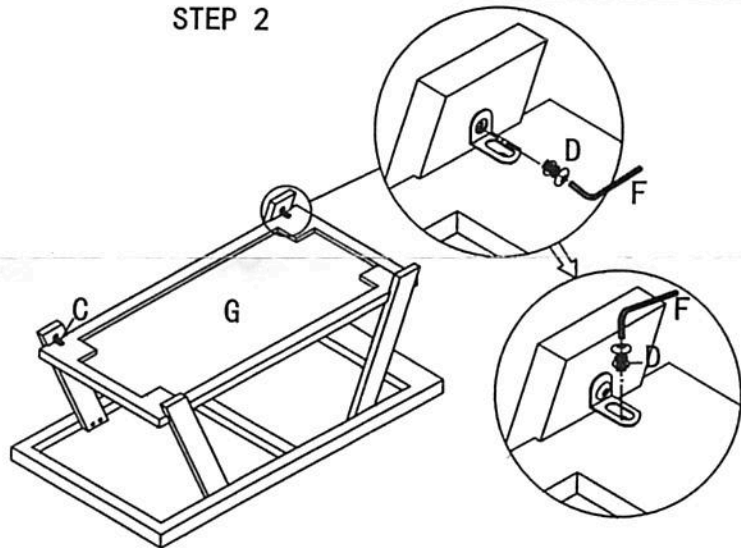
NO.	PART	DESCRIPTION	Q'TY
A		CASTER	4
B		SCREW $\phi 6\text{MM} \times 5/8"$	16
C		METAL PLATE	4
D		BOLT: $\phi 5/16 \times 3/4"$ (20 Threads per inch)	8
E		BOLT: $\phi 5/16 \times 2"$ (20 Threads per inch)	8
F		ALLEN KEY	1

NO.	PART	DESCRIPTION	Q'TY
G		SHELF	1
H		LEG1	2
I		LEG2	2
J		TOP	1

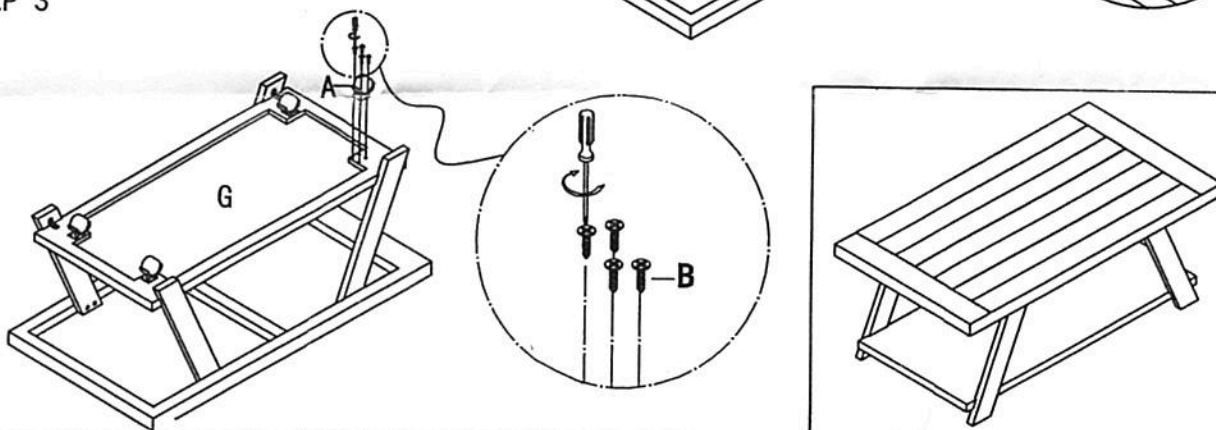
STEP 1



STEP 2



STEP 3



- Carefully unwrap the furniture and place all the parts on the soft blanket.
- Attach Leg1 (H) to Top (J) Use Bolt (E) tighten by Allen key (F),
Leg2 (I) assembly way is the same with Leg1 (H) see the Step 1
- Attach Shelf (G) to Leg1 (H) Leg2 (I) use Bolt (D), tighten by Allen key (F) see the Step 2
- Step two is to install the component C,
Please lock the C circular hole first, then lock the C elliptical hole.
- Attached Caster (A) to Shelf (G) use Bolt (B) see the picture Step 3
- Tighten the legs 100%.
- Enjoy your table for a long time to come.

MADE IN VIETNAM