

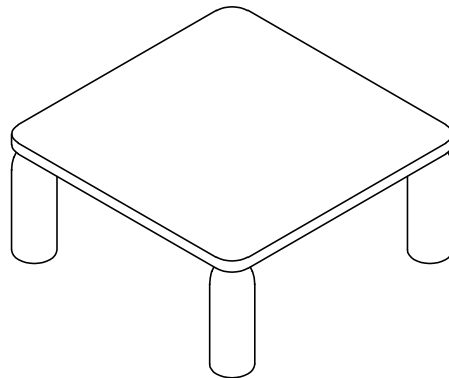


ASSEMBLY INSTRUCTIONS

NLHF T303-SQ CK TLB SQUARE COCKTAIL TABLE - SKU#22042965

Manufactured by NLHF for Rooms To Go


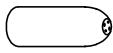

Version#1-2025/08/29




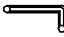
LIST OF PARTS

TOOLS REQUIRED: NO TOOLS.

PART LIST

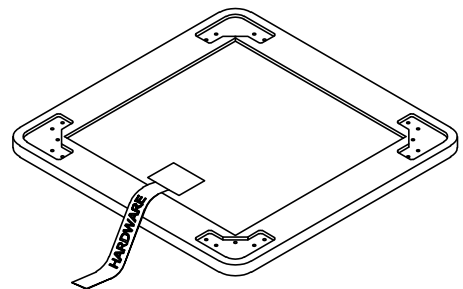
A	Table Top		1Pc
B	Table Leg		4Pcs
C	L Metal		1Pc

HARDWARE LIST

D	Tapered Head Bolt $\varnothing 1/4''-20 \times 3/4''$		24Pcs
E	Allen Key 4mm		1Pc

Hardware Pack Locations:

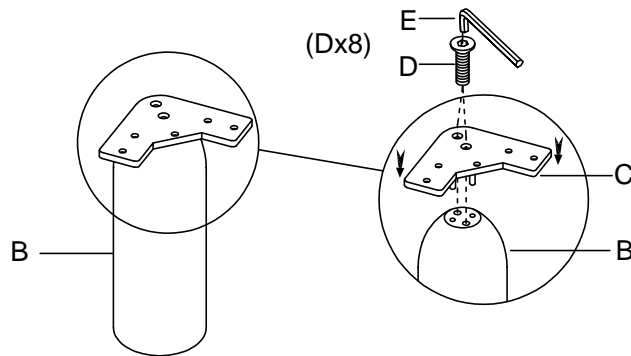
NLHF T303-SQ CK TLB SQUARE COCKTAIL TABLE - SKU#22042965



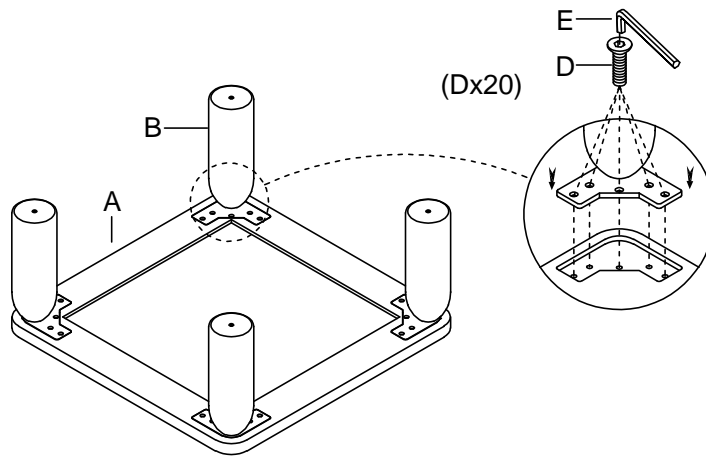
The hardware pack is secured to the back of Top (A)

PARTS ASSEMBLY

Step 1: Attach L Metal (C) to the table Leg (B) using Tapered Head Bolt(D), Allen Key (E).



Step 2: Align the Table Leg (B) with the holes on the Table Top (A), then insert and assemble using the Tapered Head Bolt (D) and Allen Key (E).



Step 3: Turn the table upright to complete the assembly.

