
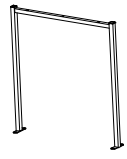
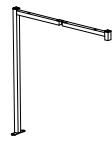
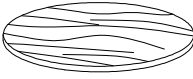
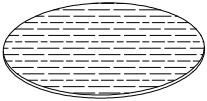


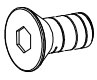

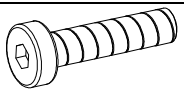

Manufactured By HMNF For Rooms To Go

Thank you for your purchase. Before discarding packaging material be sure you have located all the parts including the necessary hardware and tools listed on the instruction sheet below.

## Parts List

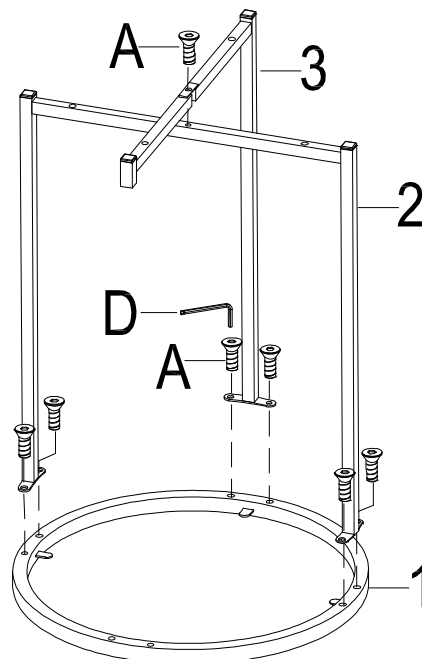
<p># 1 1 pc</p>  <p>Top Frame</p>	<p># 2 1pc</p>  <p>"U" Frame</p>	<p># 3 1pc</p>  <p>"L" Frame</p>
<p># 4 1pc</p>  <p>Wood Shelf</p>	<p># 5 1pc</p>  <p>Glass Top</p>	

## Hardware List

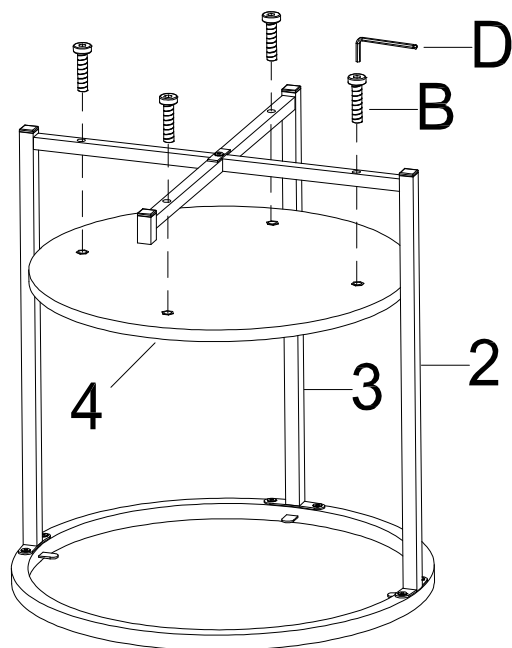
No	Figure	Description	QTY	No	Figure	Description	QTY
A		Tapered Bolt 1/4" x 20 x 1/2"	7	C		10mm Ø Glass Tips	4
B		Pan Bolt 1/4" x 20 x 1"	4	D		4mm Hex Allen Wrench	1

Please do not tighten any bolt firmly before you put all of them in place.

Step 1) Put all parts on a soft surface to prevent scratches. Attach "U" frame (#2) to top frame (#1) by using bolt (A) as shown then attach "L" frame (#3) to "U" frame (#2) and top frame (#1) by using bolt (A) again.



**Step 2) Attach wood shelf (#4) to “U” frame (#2) and “L” frame (#3) by using bolt (B) as shown then tighten all bolts firmly.**



**Step 3) Turn the table upside down and put glass tips (C) onto top frame (#1) then insert glass top (#5) into frame as shown carefully. Your perfect table is completed.**

