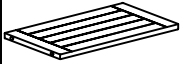
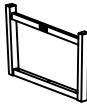


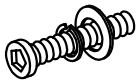

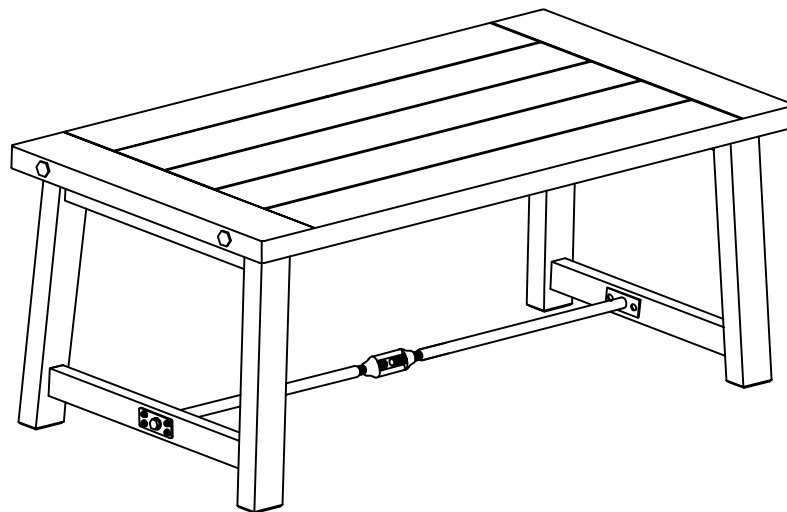


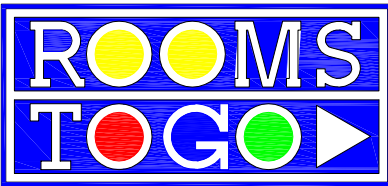


GLOB
1866-1 COCKTAIL TABLE
SKU#22118663
Assembly Instruction

NO.	Parts List		Q' TY
A		Top	1
B		Leg	2
C		Metal stretcher	1

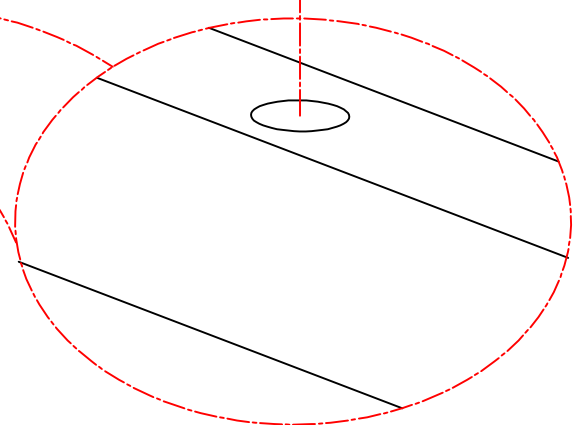
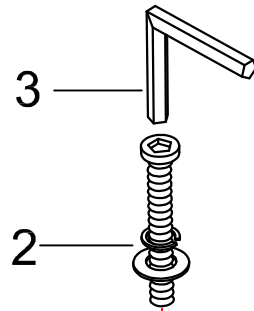
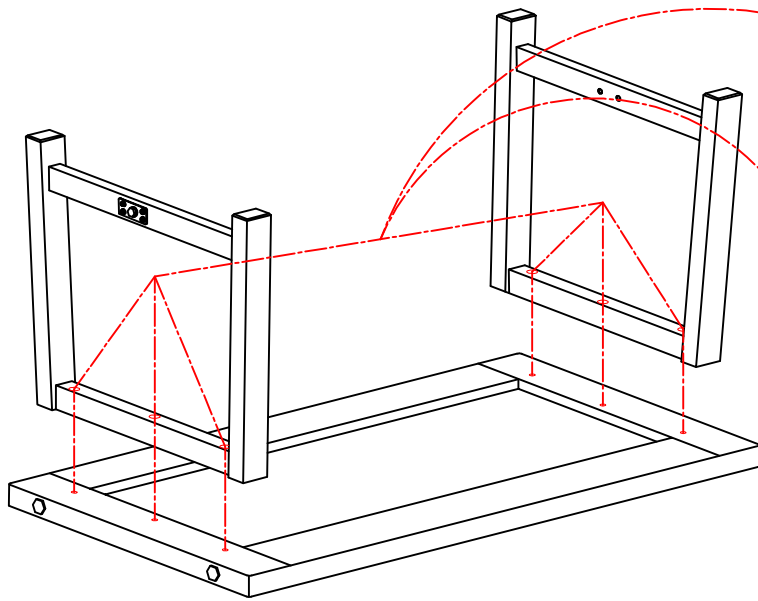
NO.	Hardware list		Q'TY
1		Bolt $\phi 5/16"$ x 18 x 3/4"L	4
		Lock washer 5/16"x $\phi 12$ x2mmT	4
		Flat washer $\phi 5/16"$ x $\phi 19$ x2mmT	4
2		Bolt $\phi 5/16"$ x 18 x 2"L	6
		Lock washer 5/16"x $\phi 12$ x2mmT	6
		Flat washer $\phi 5/16"$ x $\phi 19$ x2mmT	6
3		Allen wrench	1



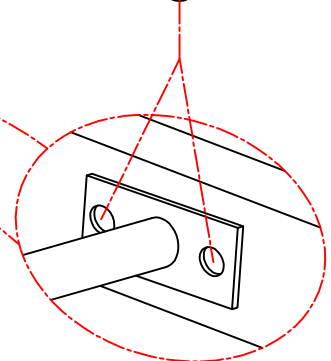
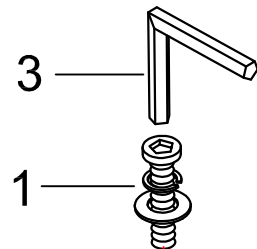
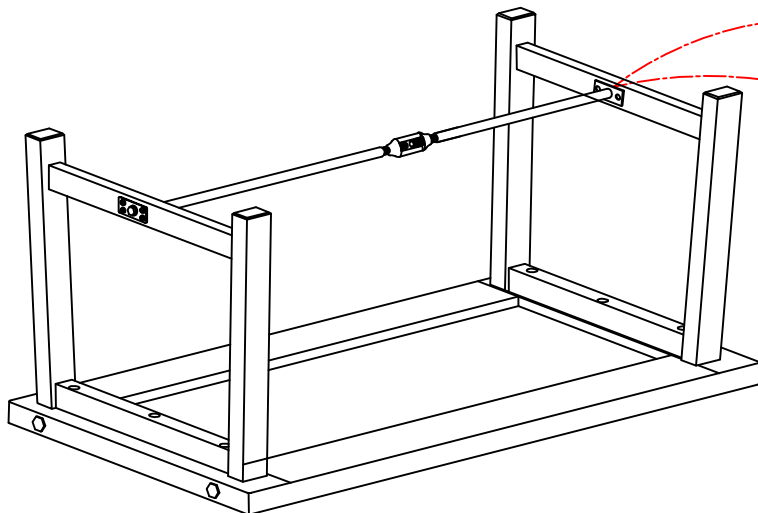


GLOB
1866-1 COCKTAIL TABLE
SKU#22118663
Assembly Instruction

STEP 1






STEP 2






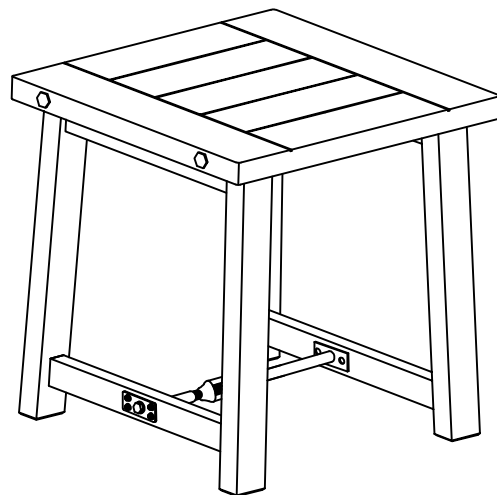
Assembly completed



GLOB
1866-2 END TABLE
SKU#23018662
Assembly Instruction

NO.	Parts List		Q' TY
A		Top	1
B		Leg	2
C		Metal stretcher	1

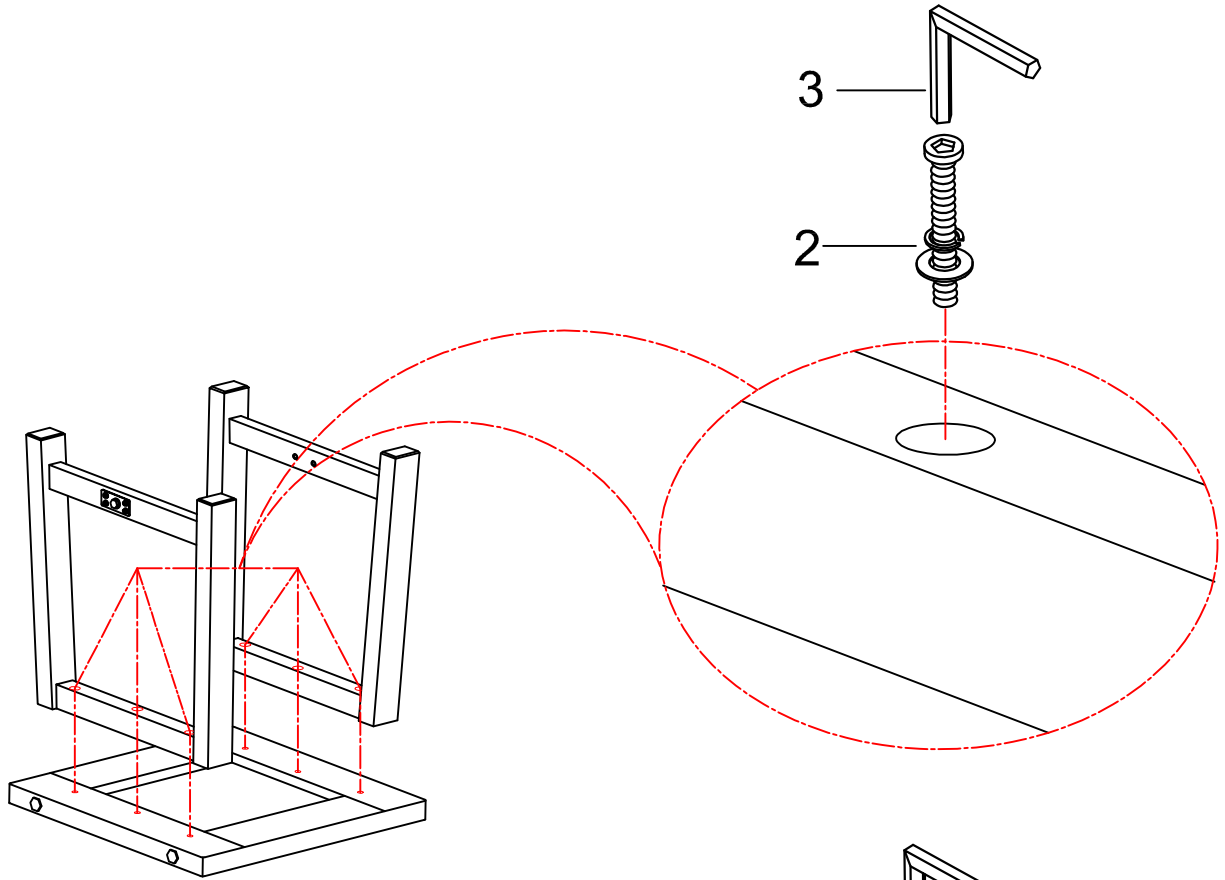
NO.	Hardware list		Q'TY
1		Bolt $\phi 5/16"$ x 18 x 3/4"L	4
		Lock washer 5/16"x $\phi 12$ x2mmT	4
		Flat washer $\phi 5/16"$ x $\phi 19$ x2mmT	4
2		Bolt $\phi 5/16"$ x 18 x 2"L	6
		Lock washer 5/16"x $\phi 12$ x2mmT	6
		Flat washer $\phi 5/16"$ x $\phi 19$ x2mmT	6
3		Allen wrench	1



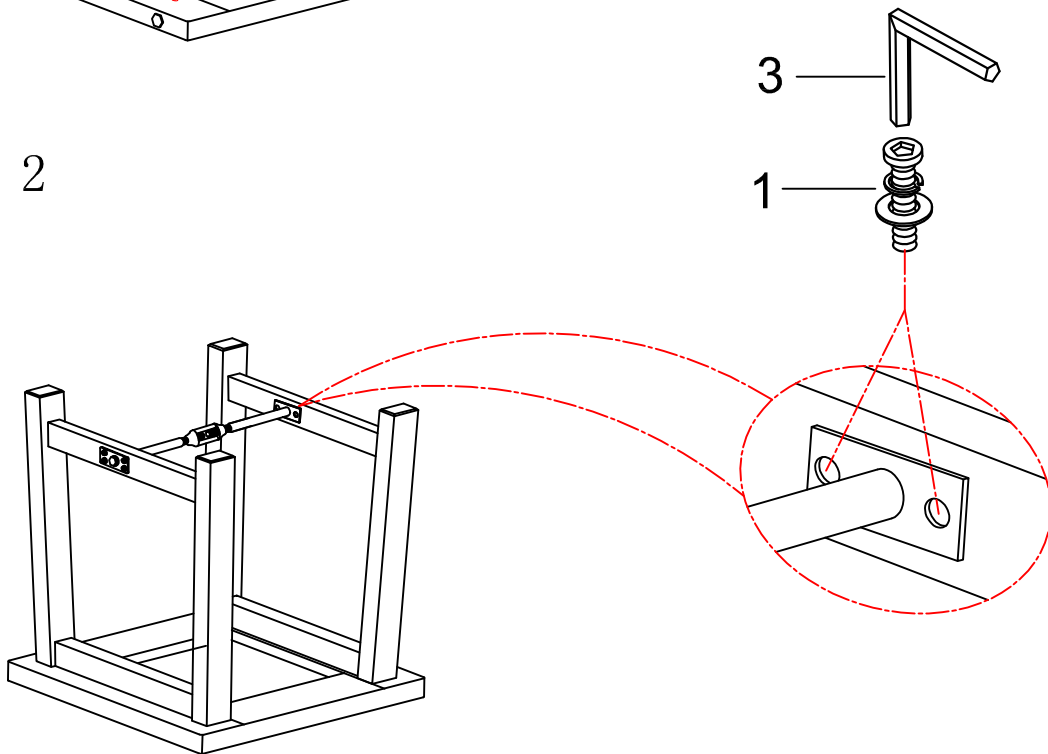


GLOB
1866-2 END TABLE
SKU#23018662
Assembly Instruction

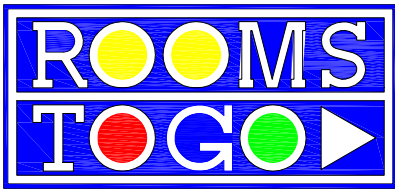
STEP 1



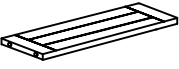


STEP 2

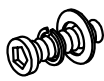
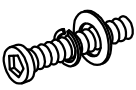



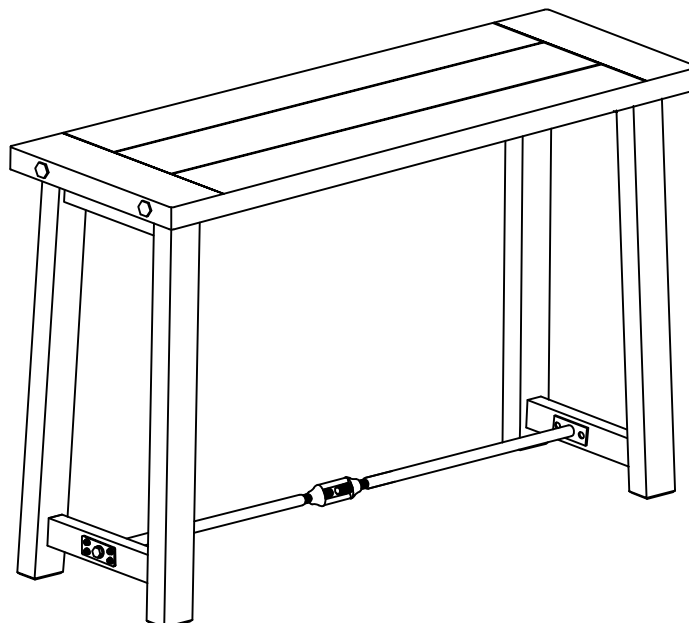
Assembly completed

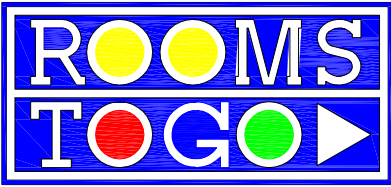


GLOB
1866-3 SOFA TABLE
SKU#23818668
Assembly Instruction

NO.	Parts List		Q' TY
A		Top	1
B		Leg	2
C		Metal stretcher	1

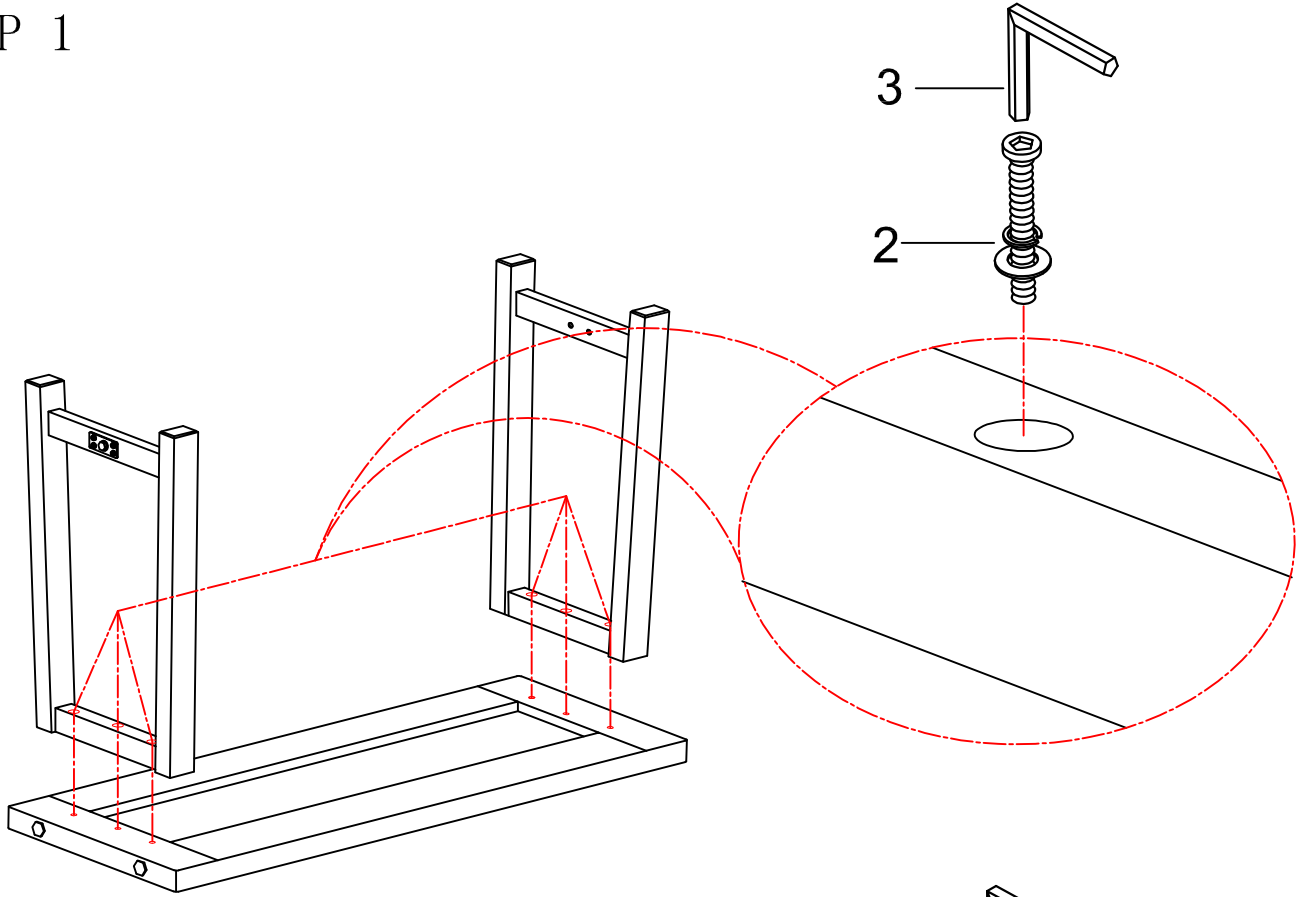
NO.	Hardware list		Q'TY
1		Bolt $\phi 5/16"$ x 18 x 3/4"L	4
		Lock washer 5/16"x $\phi 12$ x2mmT	4
		Flat washer $\phi 5/16"$ x $\phi 19$ x2mmT	4
2		Bolt $\phi 5/16"$ x 18 x 2"L	6
		Lock washer 5/16"x $\phi 12$ x2mmT	6
		Flat washer $\phi 5/16"$ x $\phi 19$ x2mmT	6
3		Allen wrench	1



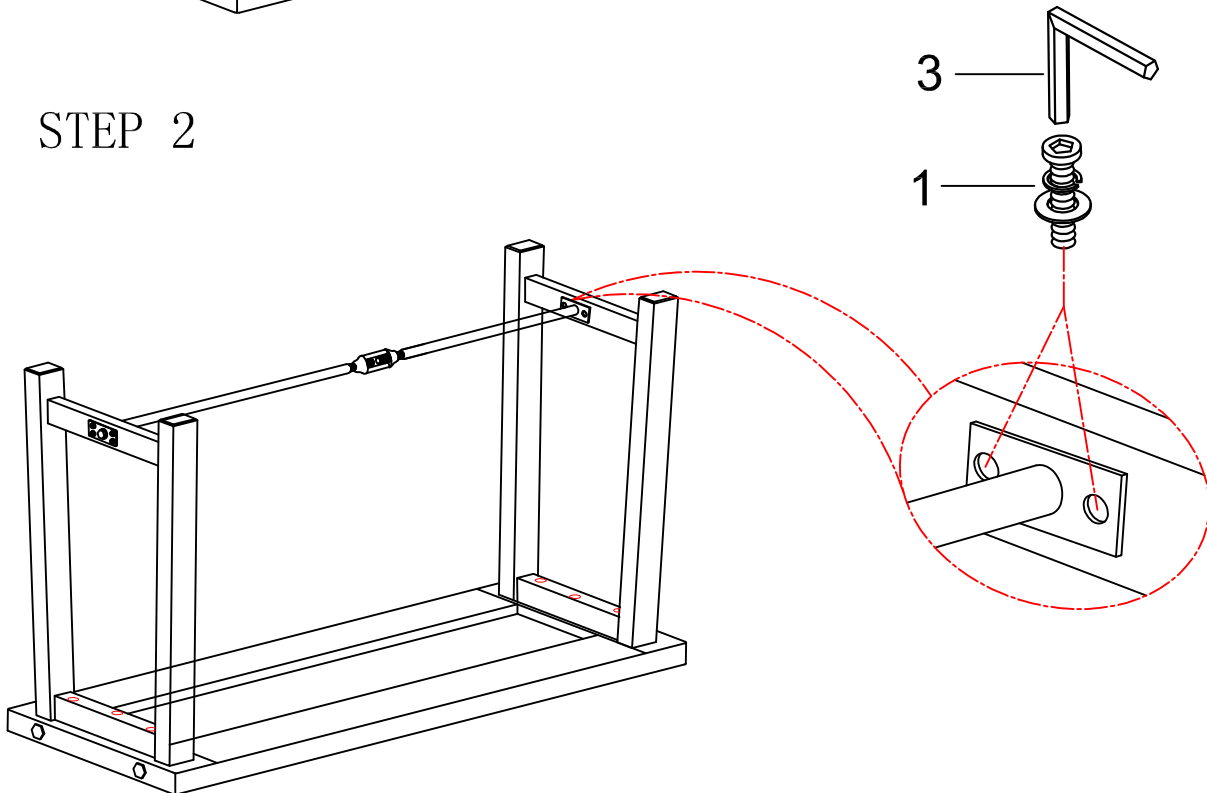


GLOB
1866-3 SOFA TABLE
SKU#23818668
Assembly Instruction

STEP 1



STEP 2



Assembly completed