

## ASSEMBLY INSTRUCTIONS

Description: **Bordeaux Coffee table**





### Important safety instructions:

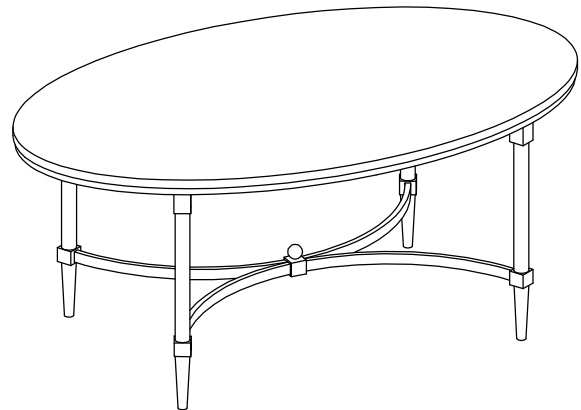
- Please carefully read all instructions before assembling the table.
- For your safety and ease, assembly by two or more adults is recommended.
- Keep instructions for future use.

### Pre-assembly:


- Do not discard any contents until after assembly is complete to avoid accidentally discarding small parts or hardware.
- Remove all parts and hardware from box along with any plastic protective packaging.

### Parts List

Item	Description		QTY
P1	Marble Top		1
P2	Posts		4
P3	Stretcher		1
P4	Feet		4

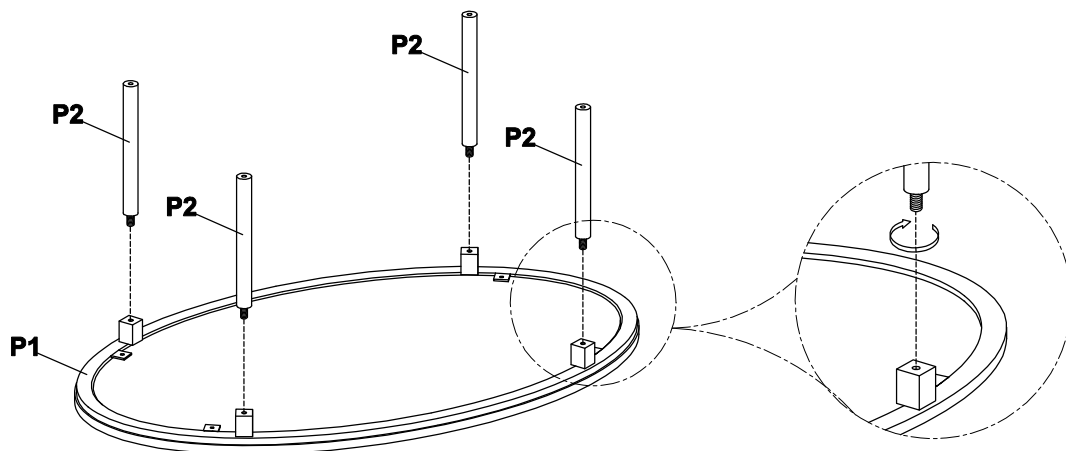


### Hardware List

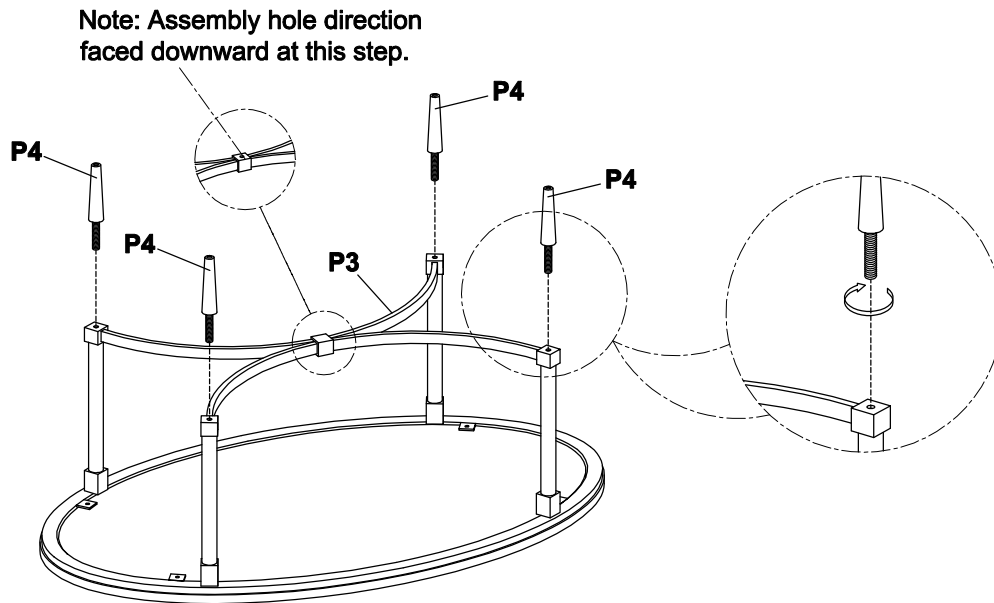
Item	Description		QTY
H1	Finial		1

### Assembly Procedures:

**Step 1.** Assemble the table on a flat, soft surface such as a carpet or cloth to prevent scratching the finish. Attach each post (P2) to the bottom of marble top (P1) as shown below. Securely tighten the posts (P2).



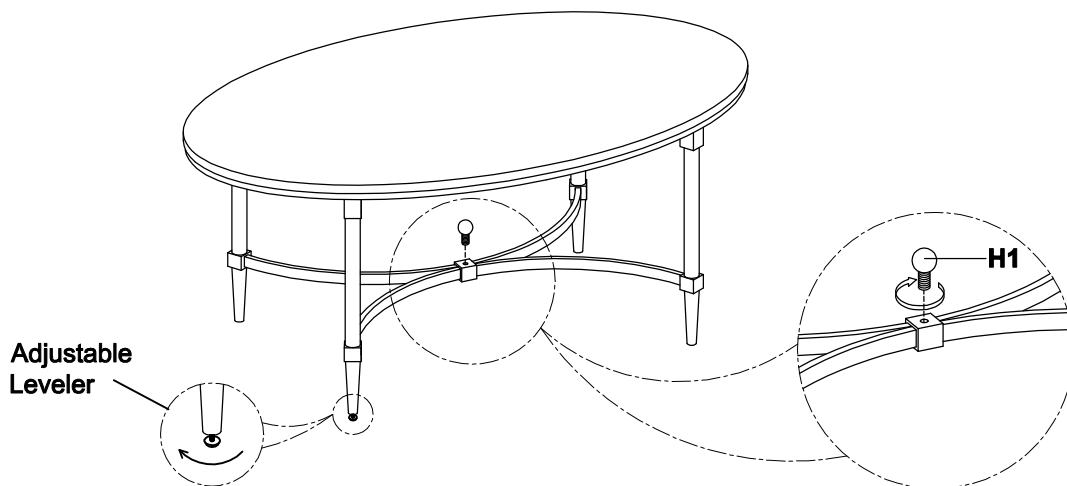
**Step 2.** Attach each foot (P4) to the post (P2) through the stretcher (P3) as shown below. Securely tighten the feet (P4).



**Step 3.**

- 1) Turn the assembled table to an upright position.
- 2) Securely tighten the finial (H1) to the stretcher (P3).
- 3) **Leveler adjustment:** Leveler are installed on the legs and adjust as needed to make sure the table is level. Assembly is complete.

(H1)x1    Finial   



**Caution:** Failure to follow these instructions may cause the bolts to misalign during assembly.

ADDITIONAL NOTE ABOUT SAFETY: BOLTS MAY LOOSEN DURING NORMAL EVERYDAY USE. THEY SHOULD BE PERIODICALLY INSPECTED AND RE-TIGHTENED TO PREVENT DAMAGE OR INJURY. ALWAYS CHECK TO BE SURE THAT ALL HARDWARE IS KEPT TIGHTENED.

**Thank you for your purchase**