

ASSEMBLY INSTRUCTIONS

Description: Coffee Table





Important safety instructions:

- Please carefully read all instructions before assembling the table.
- For your safety and ease, assembly by two or more adults is recommended.
- Keep instructions for future use.






Pre-assembly:

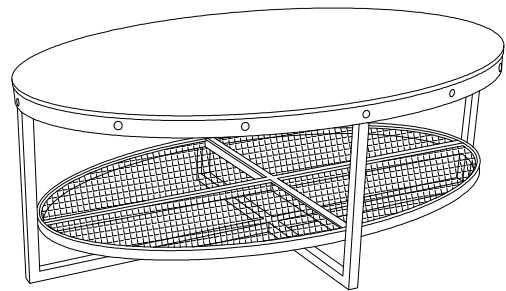
- Do not discard any contents until after assembly is complete to avoid accidentally discarding small parts or hardware.
- Remove all parts and hardware from box along with any plastic protective packaging.

Parts List

Item	Description	QTY
A	Table Top 	1
B	Bottom Shelf 	1
C	Leg 1 	1
D	Leg 2 	1

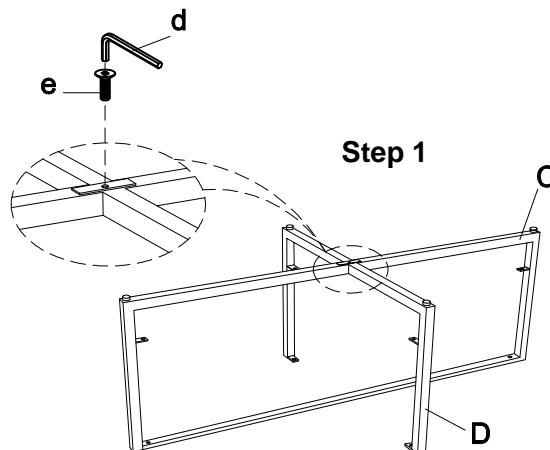
Hardware List

Item	Description	QTY
a	Bolts $\text{Ø}1/4" \times 1"$ 	8
b	Lock Washers $1/4"$ 	8
c	Flat Washers $1/4"$ 	8
d	Allen Wrench $1/4"$ 	1
e	Bolt $\text{Ø}1/4" \times 3/4"$ 	1

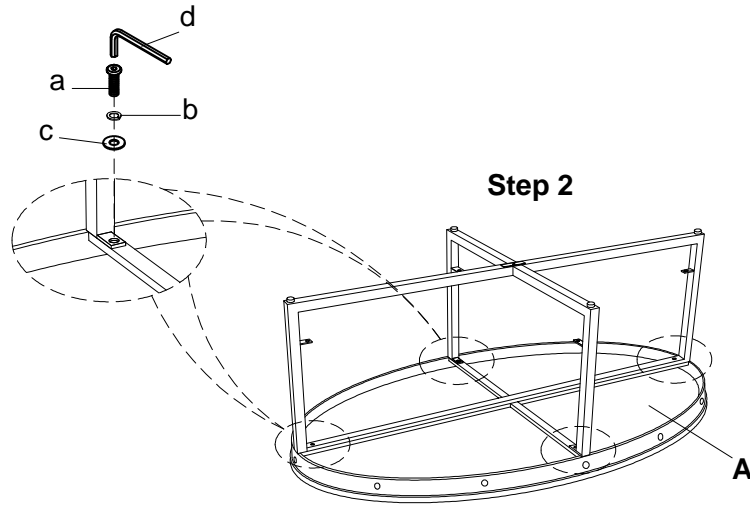


Assembly Procedures:

Step 1. Assemble the table on a flat, soft surface such as a carpet or cloth to prevent scratching the finish. Attach the leg1 (C) to the leg 2 (D) using bolt (e). Loosely tighten by Allen wrench (d).



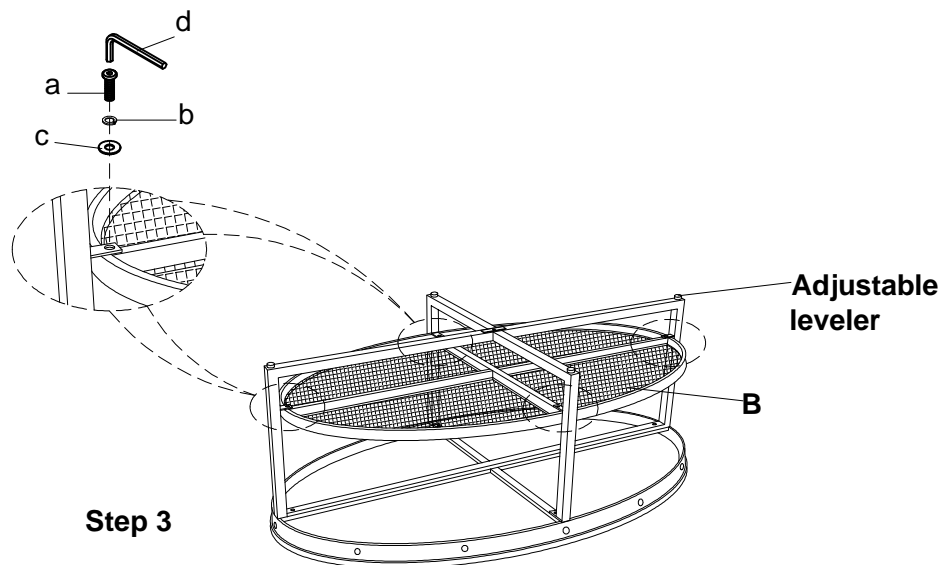
Step 2. Turn over the table top on a flat, soft surface such as a carpet or cloth to prevent scratching the finish. Attach the assembled legs (C & D) to the table top (A) using bolts (a), lock washers (b) and flat washers (c). Loosely tighten by Allen wrench (d).



Step 3. Attach the bottom shelf (B) to leg (C & D) using bolts (a), lock washers (b) and flat washers (c) as shown below.

Step 4. Securely tighten all bolts by Allen wrench (d), but do not over tighten the bolts. Turn the assembled table to a upright position.

Step 5. The legs come with adjustable levelers. To adjust, simply tilt table back/front and screw the leveler in or out to the necessary position.



Thank you for your purchase