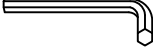

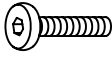
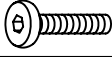
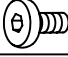


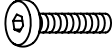
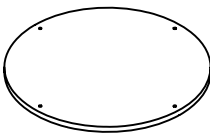
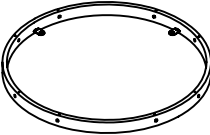
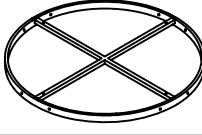
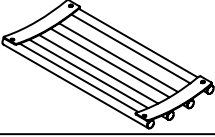
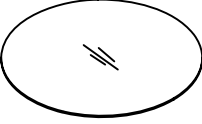
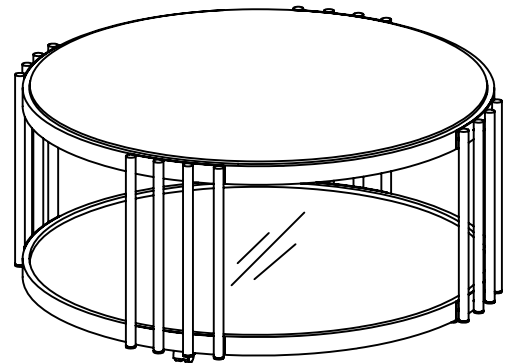


Step	Code	Hardware	QTY
	A	Allen Key 4mm 	1 Pc
	B	Wrench 	1 Pc
1	C	Bolt 1/4" x 20 x 1-1/8" 	6 Pcs
2	C	Bolt 1/4" x 20 x 1-1/8" 	6 Pcs
3	D	Bolt 1/4" x 20 x 1/2" 	4 Pcs
3	E	Wheel 	4 Pcs
4	F	Rubber Mats 	4 Pcs
5	C	Bolt 1/4" x 20 x 1-1/8" 	4 Pcs

Parts List

NO	Description	Sketch	QTY
①	Table Top		1 Pc
②	Top Frame		1 Pc
③	Bottom Frame		1 Pc
④	Side Frame		4 Pcs
⑤	Glass		1 Pc

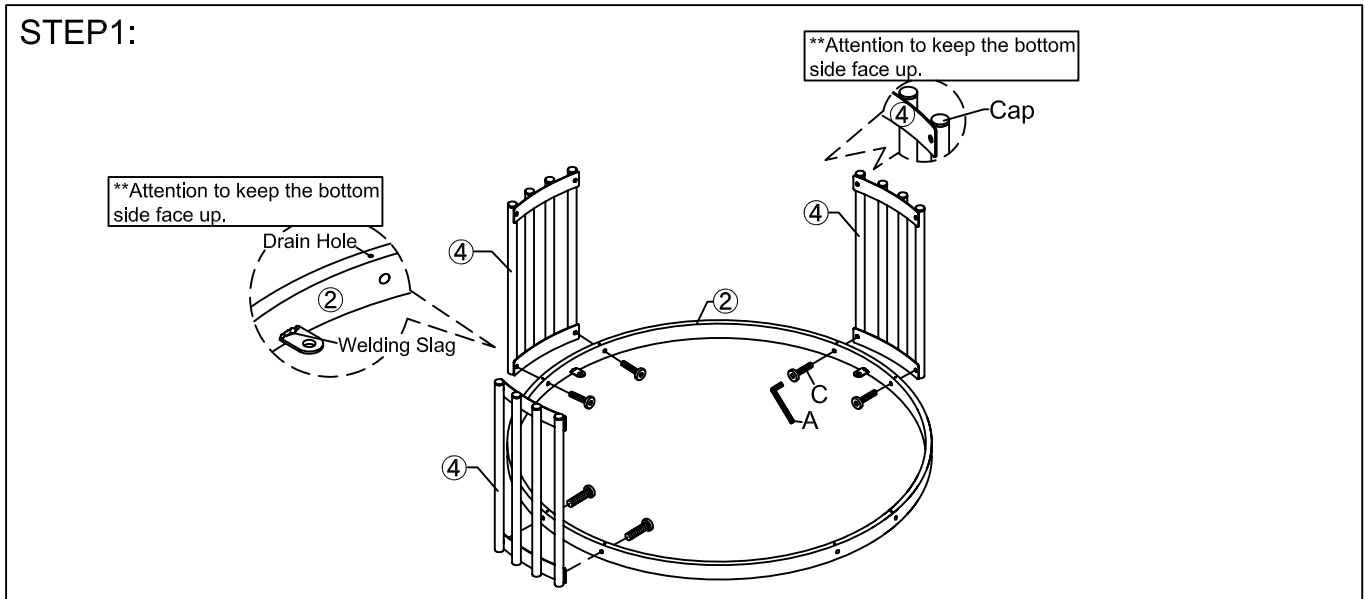


Hardware Pack Location(s):

COFFEE TABLE, SKU# 22113992

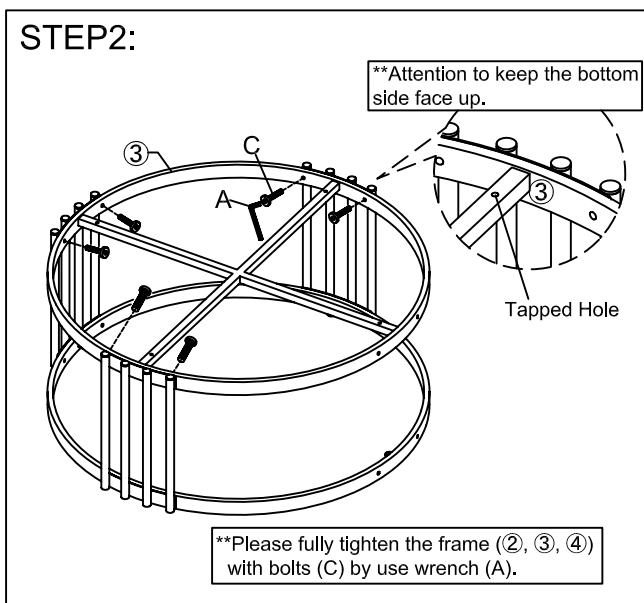
*****Caution:** Please read all instructions carefully before starting the assembly process. These parts are cumbersome and heavy. Therefore, two people are recommended in order to prevent personal injury and insure the parts are not damaged during the assembly.

STEP1:



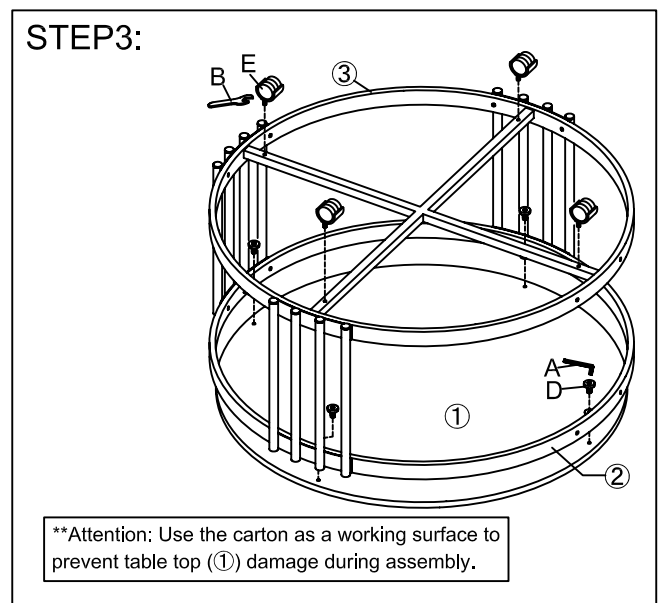
Assembly three side frames (4) to the top frame (2) with bolt (C) by use of Allen key (A).

STEP2:



Assembly bottom frame (3) to side frames (4) with bolt (C) by use of Allen key (A).

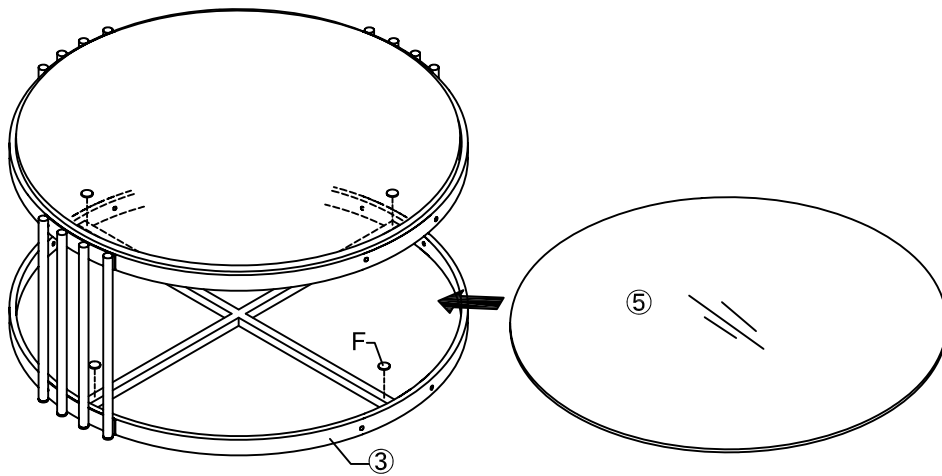
STEP3:



Assembly top frame (2) to table top (1) with bolts (D) by use of Allen key (A). Then screw wheels (E) onto the bottom frame (3) by using the wrench (B).

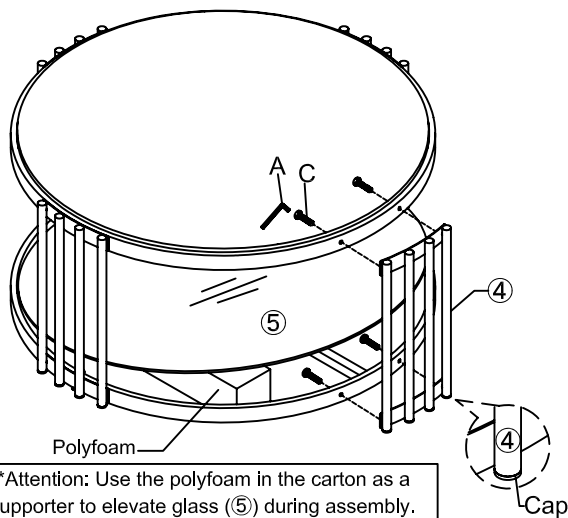
***Caution: Please read all instructions carefully before starting the assembly process. These parts are cumbersome and heavy. Therefore, two people are recommended in order to prevent personal injury and insure the parts are not damaged during the assembly.

STEP4:

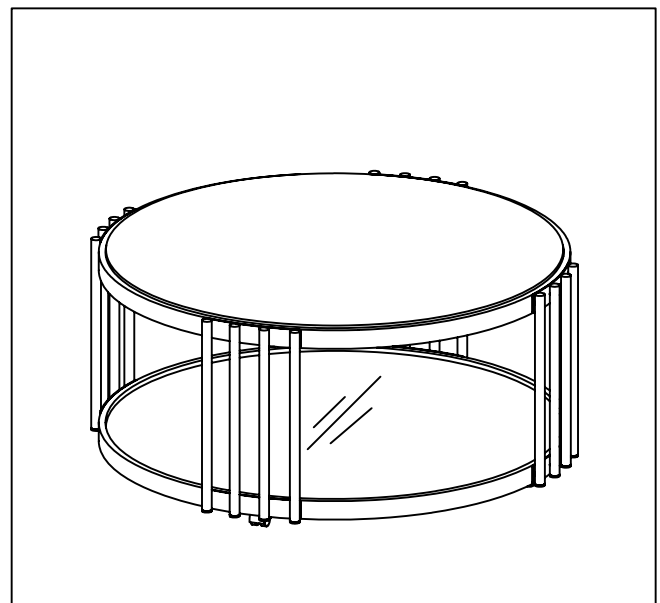


Stick rubber mats (F) onto bottom frame (3), then, place the glass (5) onto the assembled table.

STEP5:



**Attention: Use the polyfoam in the carton as a supporter to elevate glass (5) during assembly.



Assembly finish.

Assembly the last side frame (4) to the assembled table with bolts (C) by use of Allen key (A).