

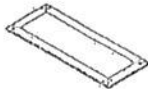




# ASSEMBLY INSTRUCTION





TCHI 1425-00 COCKTAIL TABLE SKU#22114259

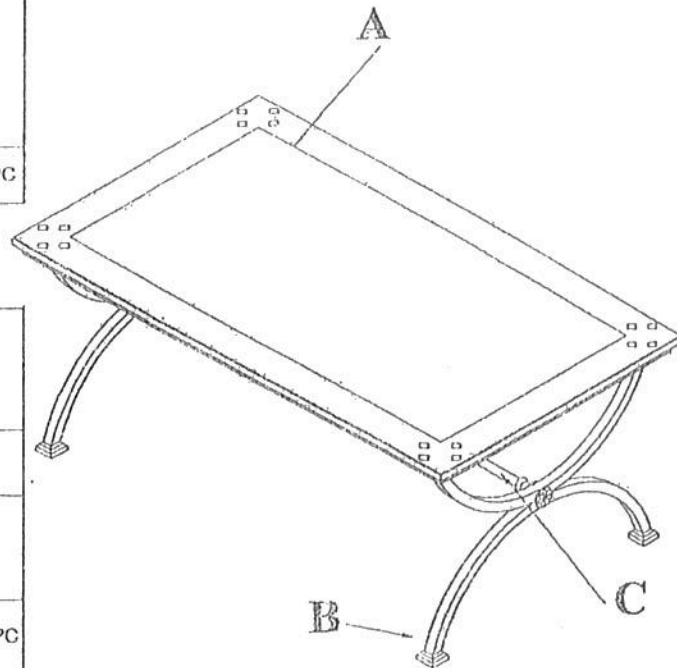
\*\*\* Thank you for purchasing this quality product. Be sure to check all packing materials carefully for small parts which may have come loose inside the carton during shipment. Identify and count all parts and compare with the parts list below.

## PARTS LIST

		
TABLE TOP: 1PC	LEG: 2PCS	STRETCHER: 1PC

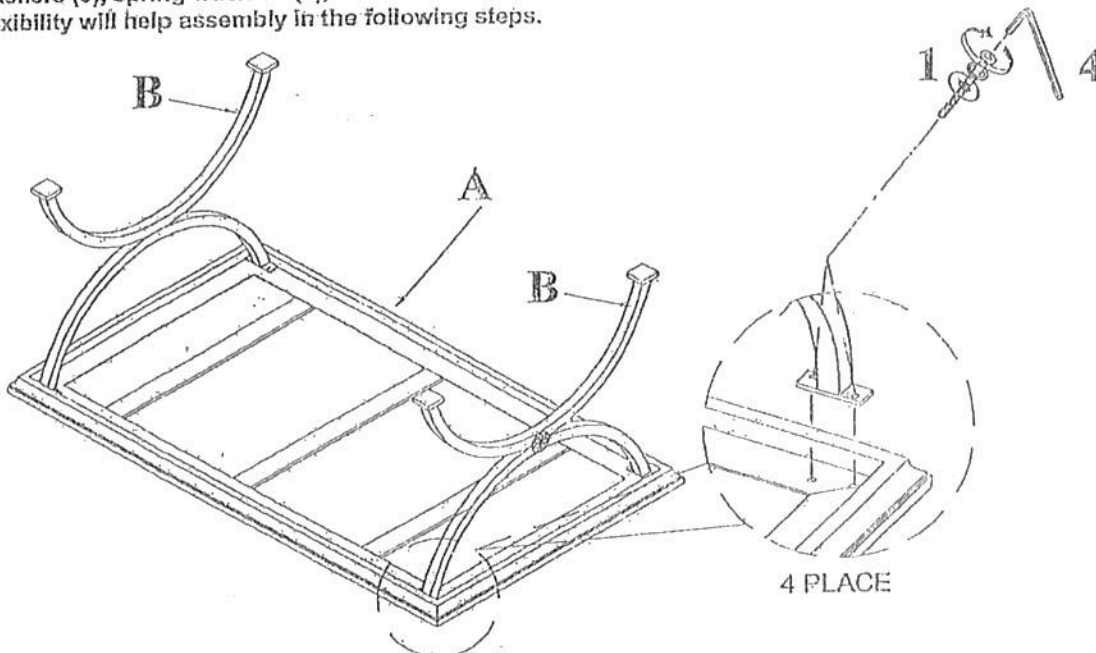
## HARDWARE LIST

	
Bolt: $\phi 5/16" \times 20 \times 3/4"$ : 8PCS Lock Washer: $\phi 5/16" \times \phi 12 \times 1.5mm$ : 8PCS Flat Washer: $\phi 5/16" \times \phi 18 \times 1.5mm$ : 8PCS	PLUG: 2PCS
	
Bolt: $\phi 5/16" \times 20 \times 3/4"$ : 2PCS Lock Washer: $\phi 5/16" \times \phi 12 \times 1.5mm$ : 2PCS Flat Washer: $\phi 5/16" \times \phi 1 \times 1.5mm$ : 2PCS	Allen Wrench: 1PC



## STEP 1

Place table top (A) upside down on a clean carpeted surface, then loosely attach legs (B) to table top (A) with flat washers (3), spring washers (2), and hex socket head bolts (1), using Allen Key (4). DO NOT fully tighten, the flexibility will help assembly in the following steps.





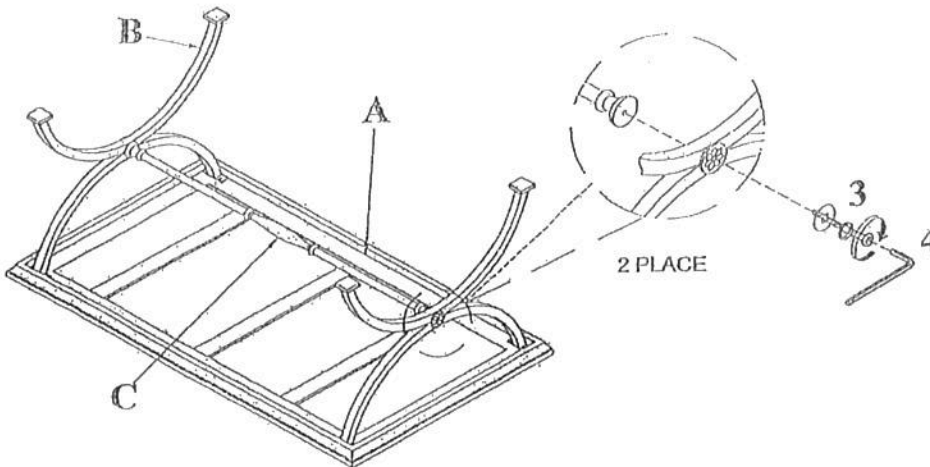
# ASSEMBLY INSTRUCTION

TCHI 1425-00 COCKTAIL TABLE SKU#22114259

\*\*\* Thank you for purchasing this quality product. Be sure to check all packing materials carefully for small parts which may have come loose inside the carton during shipment. Identify and count all parts and compare with the parts list below.

## STEP 2

Attach stretcher (C) to legs (B) with flat washers (5), spring washers (2), and hex socket head bolts (1), using Allen key (4).

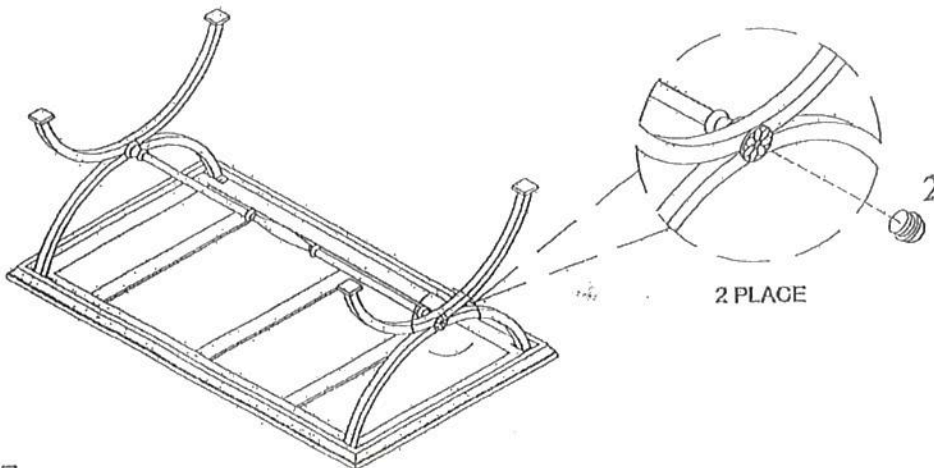


## STEP 3

Tighten all the bolts used in the above steps.

## STEP 4

Attach plugs (6) to the stretcher (C).



## STEP 5

Turn the assembled table upright. If needed, adjust the levelers underneath table legs to level with floor.

**CLEANING INSTRUCTION:** Clean with a soft cloth and warm water with a diluted mild detergent. Follow with a soft cloth and clear water rinse, then dry thoroughly with a soft cloth.