

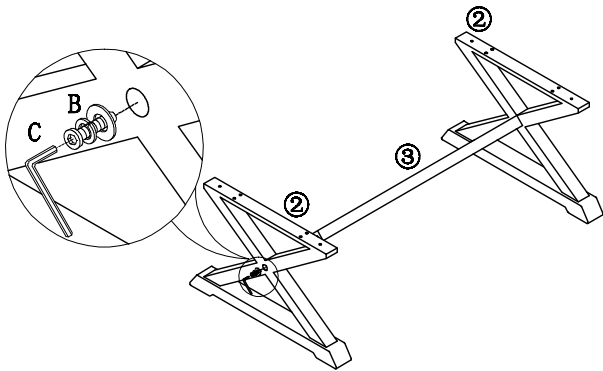


# ASSEMBLY INSTRUCTION

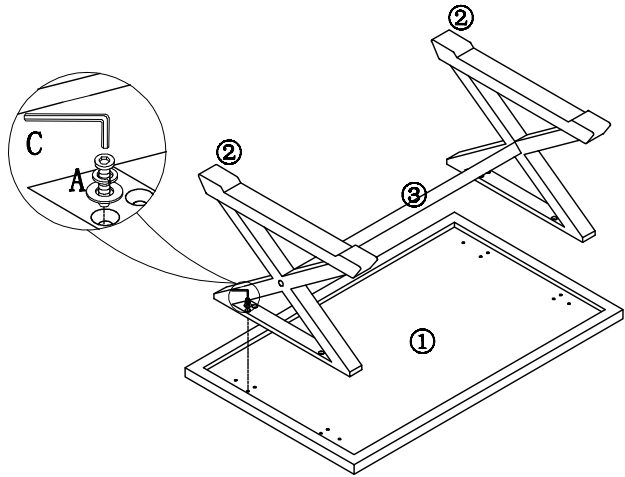
SPOL 159934-01 Rect Cocktail Table  
SKU# 22115996

Thank you for purchasing this quality product. Be sure to check all packing material carefully for small parts which may have come loose inside the carton during shipment. Identify and count all parts and compare with the Parts list below:

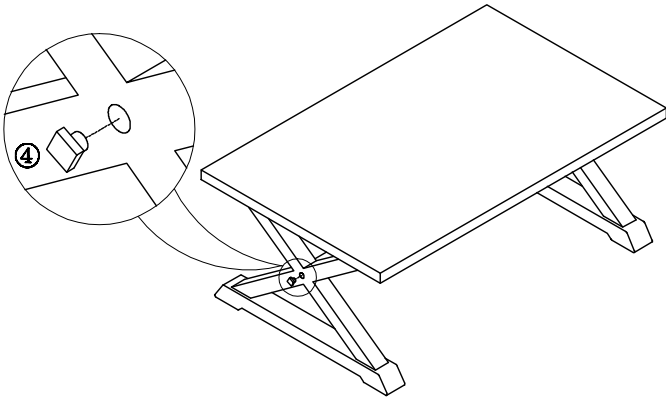
STEP:1



STEP:2



STEP:3



PART LIST

①	Top panel		1PC	③	RAIL		1PC
②	X SHAPE LEG		2PCS	④	WOOD PLAUG		2PCS

HARDWARE LIST

A		bolt:ø5/16"*1-1/4" 20 threads per inch Lock washer:ø5/16" washer:ø5/16"*19MM	3PCS			
B		bolt:ø5/16"*2-1/4" 40 threads per inch Lock washer:ø5/16" washer:ø5/16"*19MM	2PCS			
C		ALLEN WRENCH (ø5/16")	1PC			

**ASSEMBLY INSTRUCTION**

DO NOT COMPLETELY TIGHTEN UNTIL ALL ITEMES HAVE BEEN FULLY ASSEMBLED

- 1)Assembly ② to ③ with B and D.
- 2)Assembly ② to ① with A and C.
- 3)Attach ④ to ②.

**MADE IN CHINA**