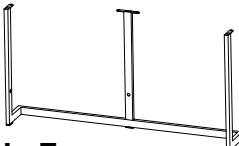
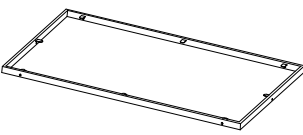

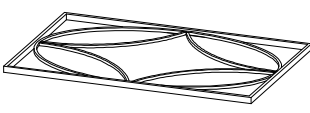
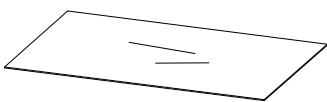


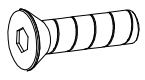



HMNF

Thank you for your purchase. Before discarding packaging material be sure you have located all the parts including the necessary hardware and tools listed on the instruction sheet below.

Parts List

<p># 1 2pcs</p>  <p>Metal Side Frame</p>	<p># 2 1pc</p>  <p>Metal Shelf Frame</p>	<p># 3 1pc</p>  <p>Glass Shelf</p>
<p># 4 1pc</p>  <p>Metal Top Frame</p>	<p># 5 1pc</p>  <p>Glass Top</p>	

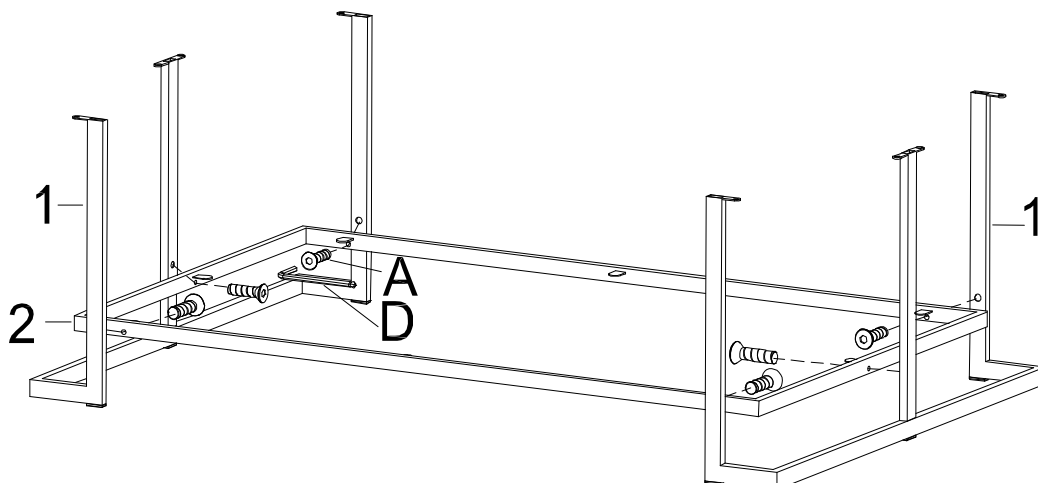
Hardware List

No	Figure	Description	QTY	No	Figure	Description	QTY
A		Tapered Bolt 1/4" x 20 x 7/8"	6	C		10mm Ø Glass Tips	12
B		Tapered Bolt 1/4" x 20 x 1/2"	8	D		4mm Hex Allen Wrench	1

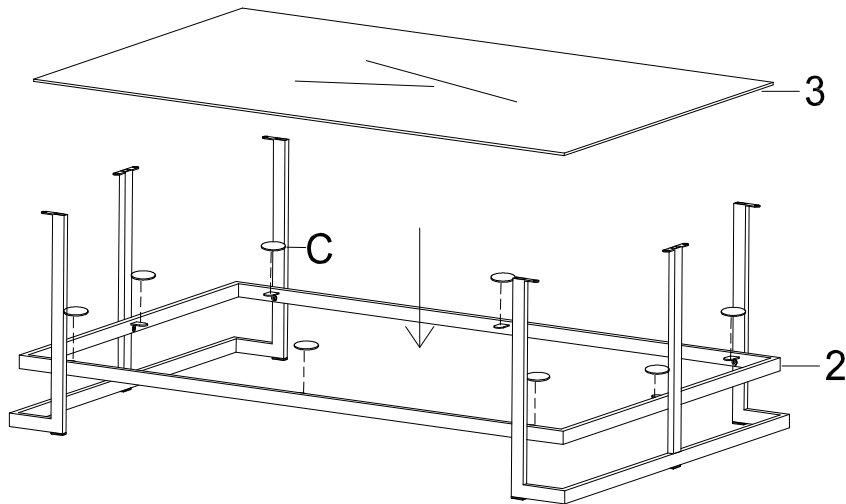
Please do not tighten any bolt firmly before you put all of them in place.

Step 1) Put all parts on a soft surface to prevent scratches. Attach metal side frame (#1) to metal shelf frame (#2) by using bolt (A) as shown.

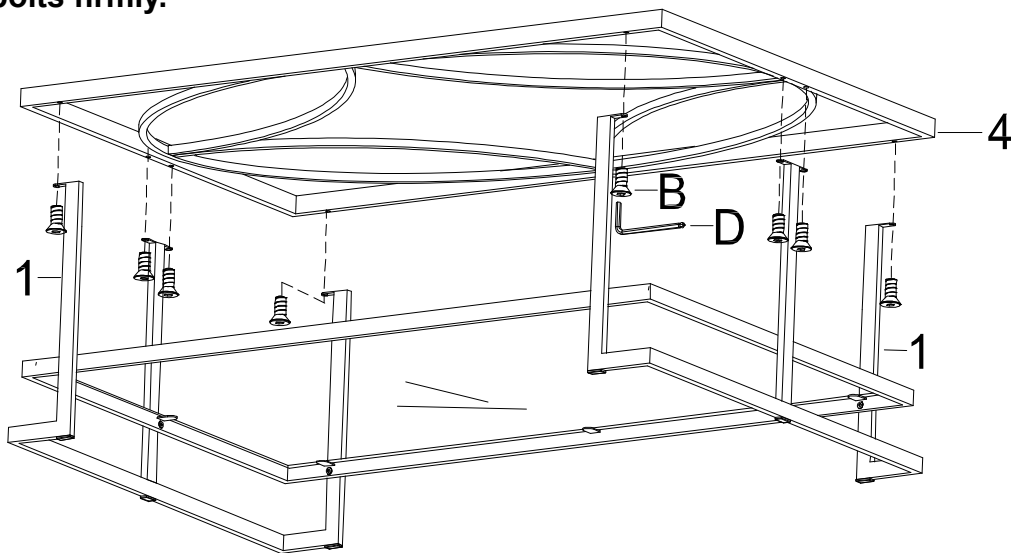
“ATTENTION: Must follow STEP sequence of assembly or GLASS SHELF could not be installed. ”



Step 2) Put glass tips (C) onto metal shelf frame (#2) then put shelf glass (#3) on frame as shown carefully.



Step 3) Attach metal side frame (#1) to metal top frame (#4) by using bolt (B) as shown then tighten all bolts firmly.



Step 4) Repeat to put glass tips (C) onto metal top frame (#4) then put glass top (#5) on frame as shown carefully. Your perfect table is completed.

