





# Assembly Instructions





SPOL

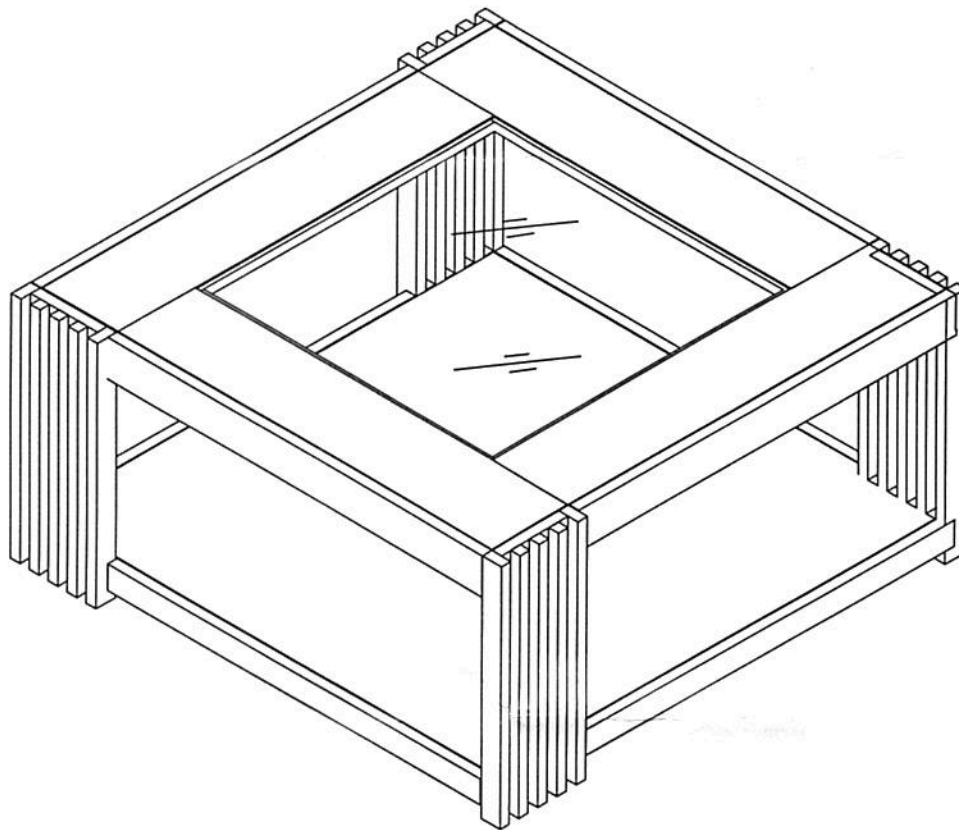
1932-41 Square Cocktail Table-Dark color

SKU#22119324

Step	Code	Hardware		Q'TY
1	A	Allen Wrench 4 x 74 x 29mm		1pc
2	B	Bolt 1/4" x 1-3/8")		16pcs
		Spring Washer 1/4"xØ11x2mmT		
		Flat Washer 1/4"xØ16x2mm		

## PARTS LIST

①Top-1pc	
②Leg-4pcs	
③Shelf-1pc	
④Glass-1pc	



HARDWARE PACK LOCATION(S):

1932-41 Square Cocktail Table-Dark color

SKU#22119324



# Assembly Instructions

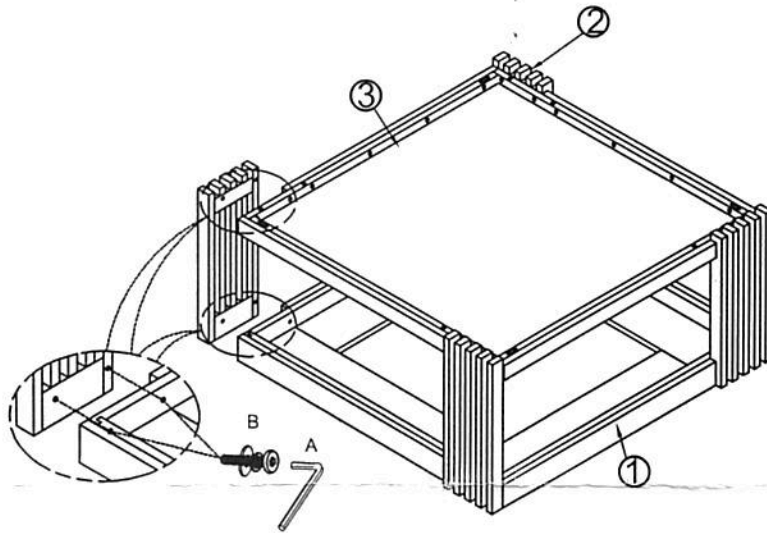
SPOL

1932-41 Square Cocktail Table-Dark color

SKU#22119324

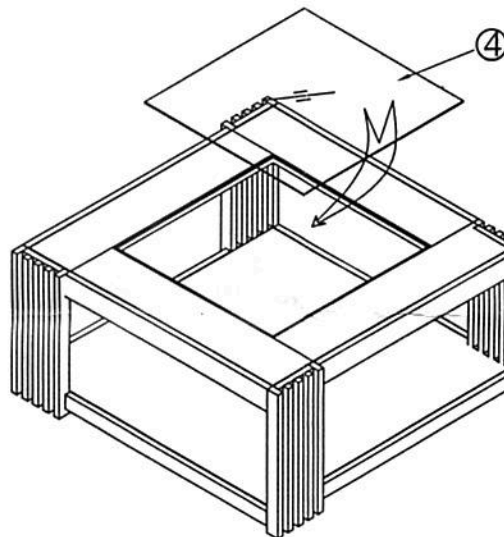
\*\*\*Caution: Please read all instructions carefully before starting the assembly process. These parts are cumbersome and heavy. Therefore, two people are recommended in order to prevent personal injury and insure the parts are not damaged during the assembly.

STEP: 1



Attach 4 legs to top and shelf

STEP: 3



Turn table to its feet . Put glass in top frame. Assembly completely