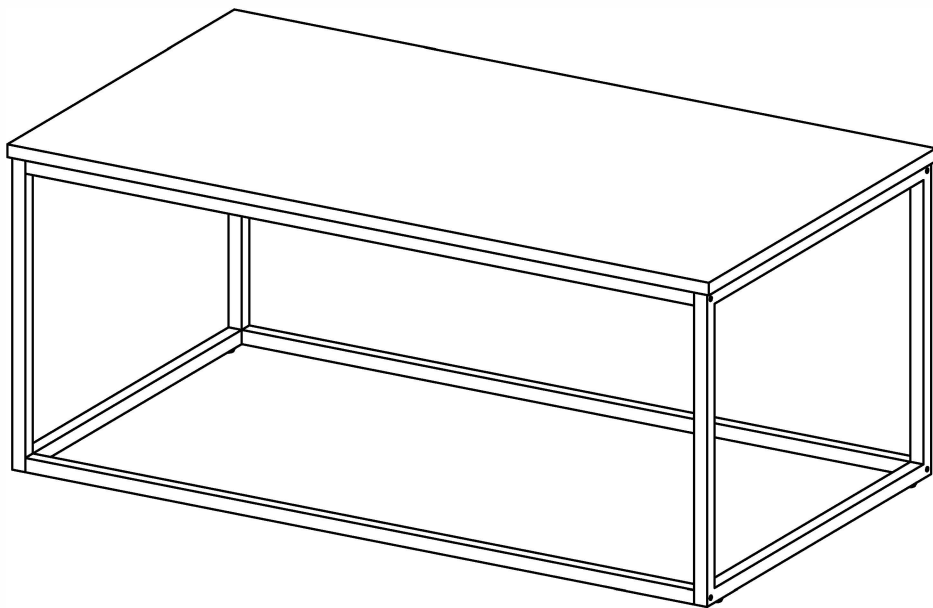


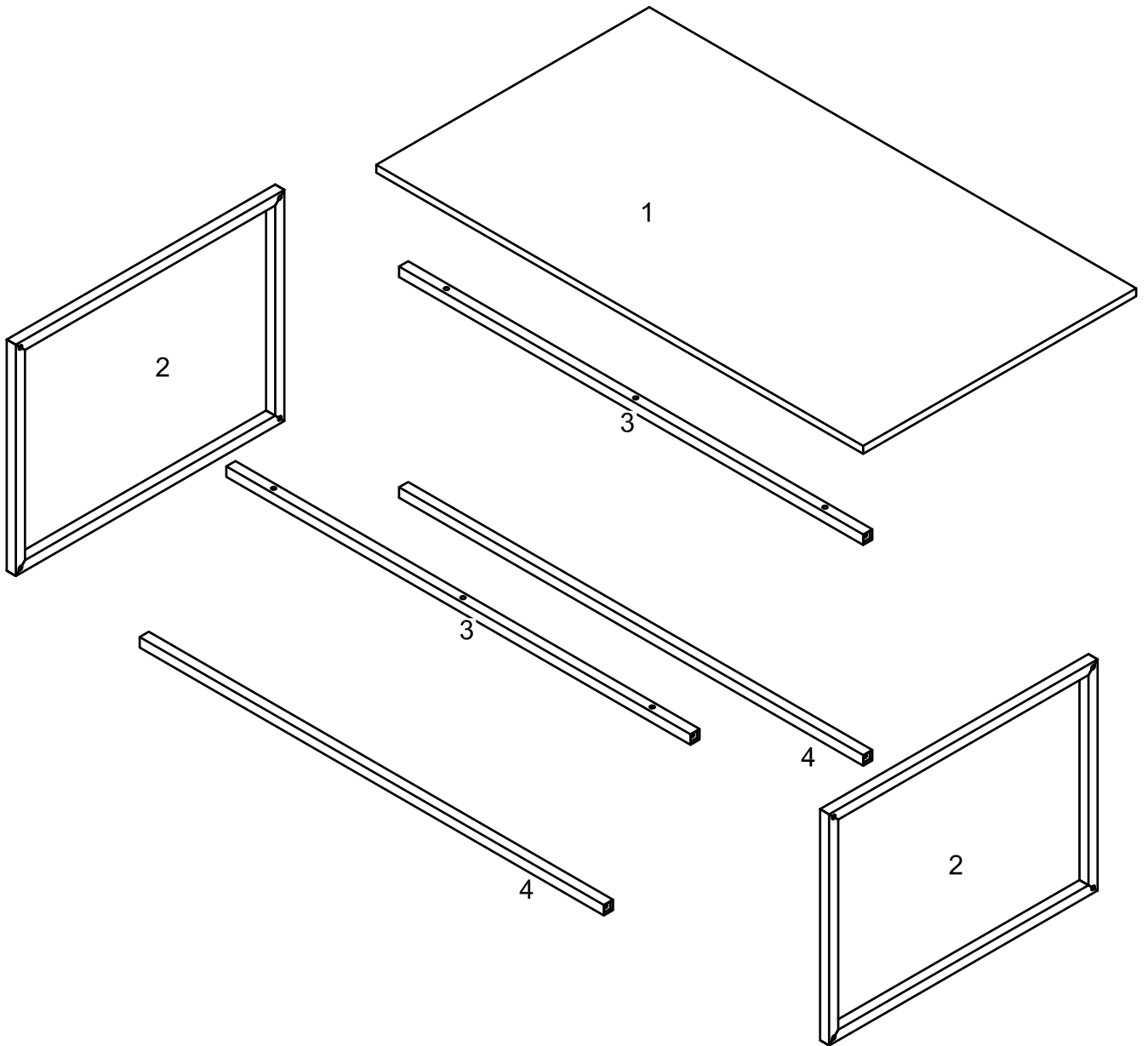
Item # : C42LWSQ
Assembly Instructions







Please visit our website for the most current instructions, assembly tips, report damage, or request parts. www.walkeredison.com

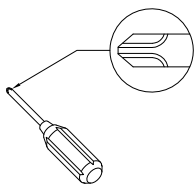
Revised 04/2017

Parts List



Hardware List

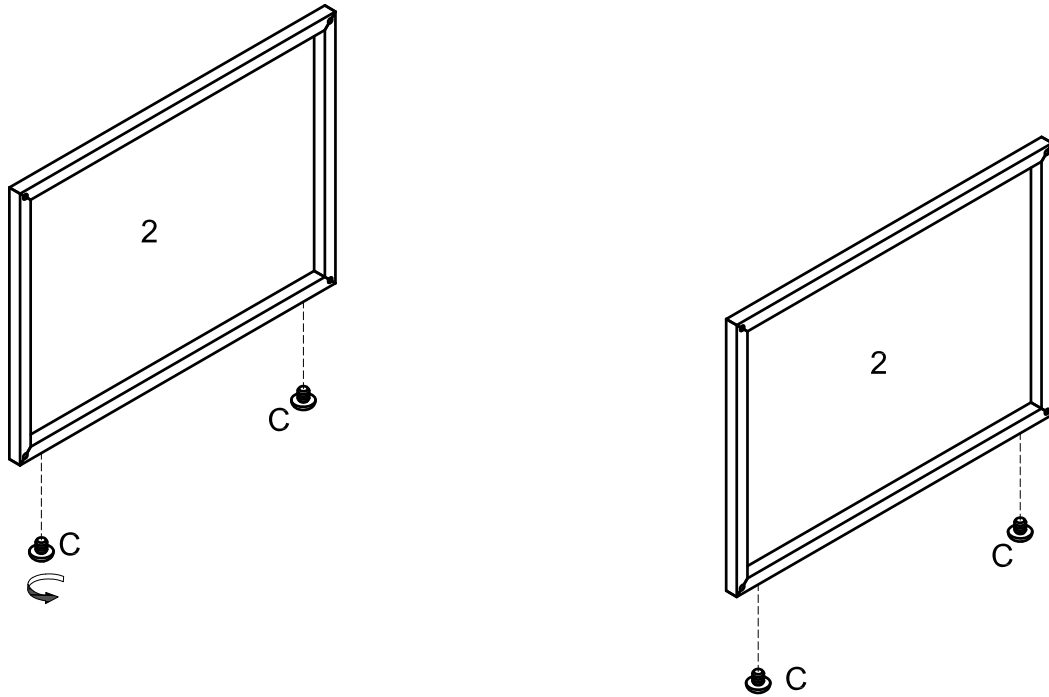
A		1/4"*45mm	Bolt	8 pcs
B		1/4"*30mm	Bolt	6 pcs
C		Ø16x1/4"	Adjustable feet	4 pcs
D			Wrench	1 pc



Philips head screwdriver required for assembly
(not included)

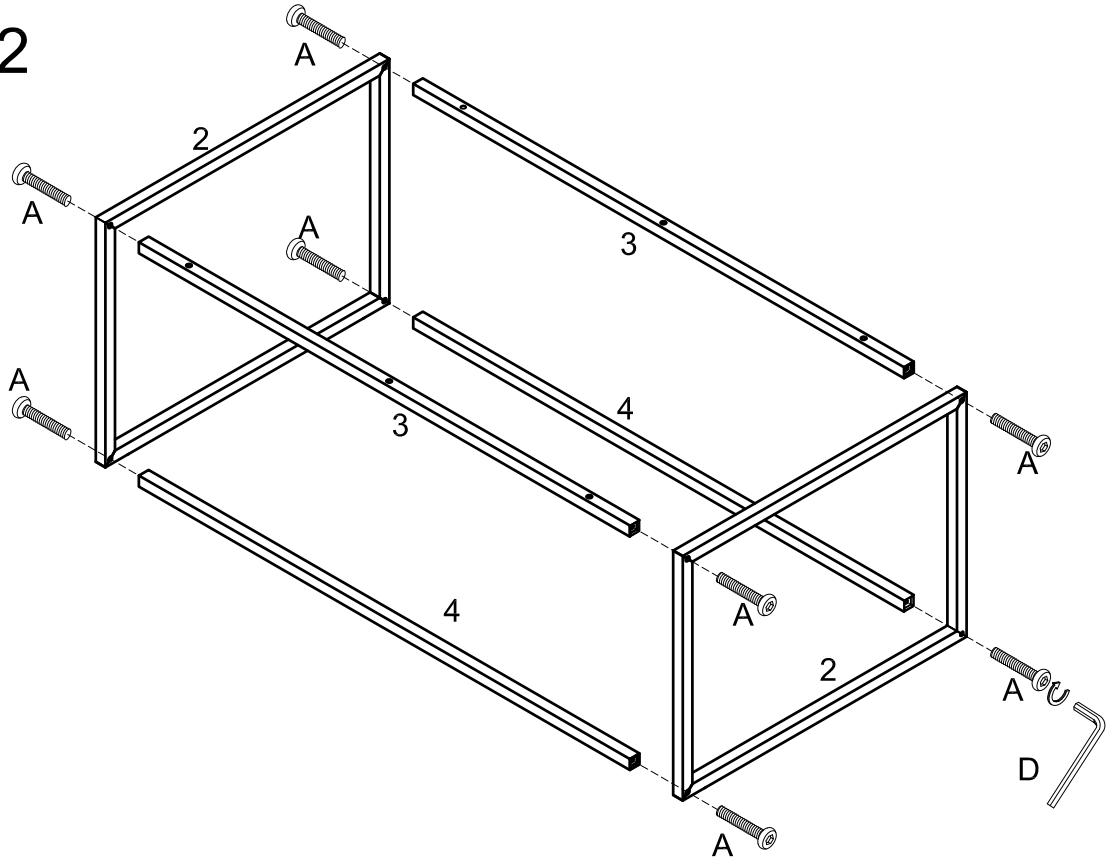
*The hardware quantities listed above are required for proper assembly.
Some extra hardware may also have been included.*

Step 1



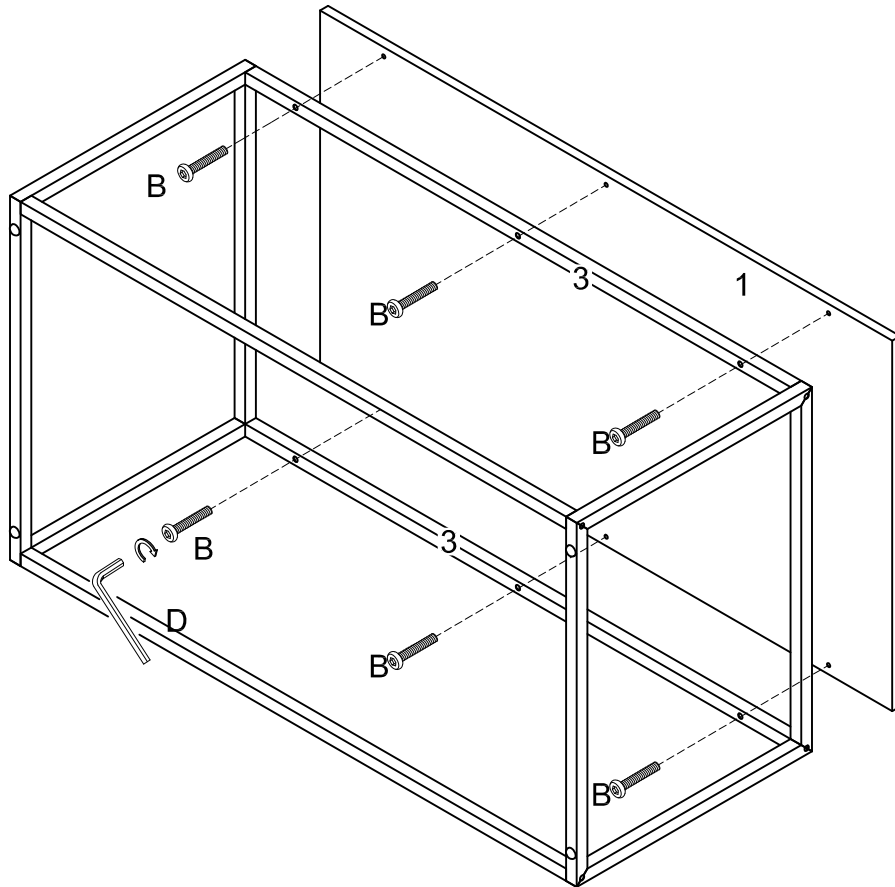
Insert adjustable feet (C) into the side frames (2).

Step 2



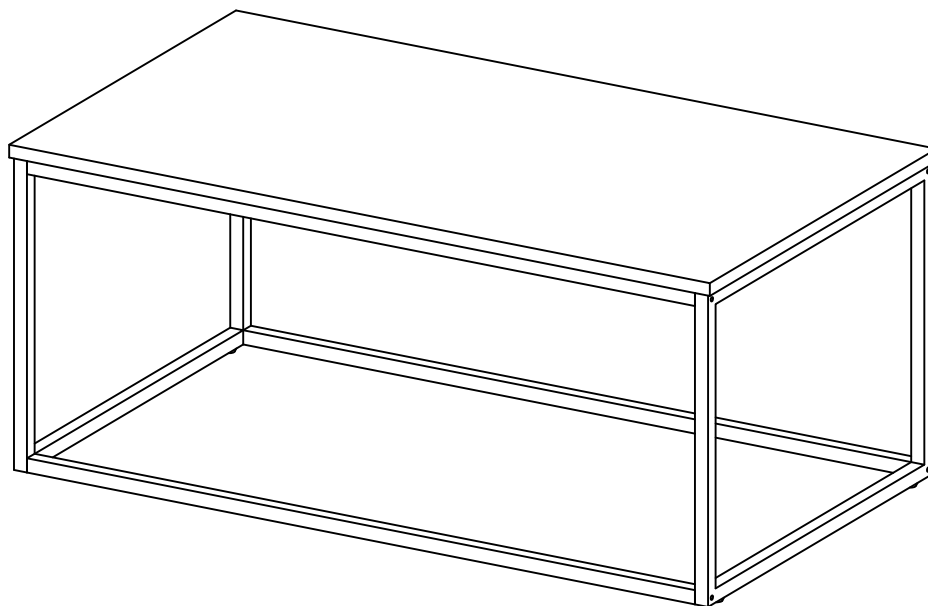
Use wrench (D) and bolt (A) to secure the side frame (2) to the cross bar (3,4).

Step 3



Use wrench (D) and bolt (B) to secure the cross bar (3) to the table top (1).

Step 4



Final Assembly