

Assembly Instructions

FRNR 2128-05
 2129-05
 Coffee table




SKU# 22122282
 SKU# 22122294

Manufactured By FRNR For Rooms To Go

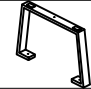

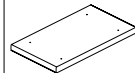
Version: 1.0

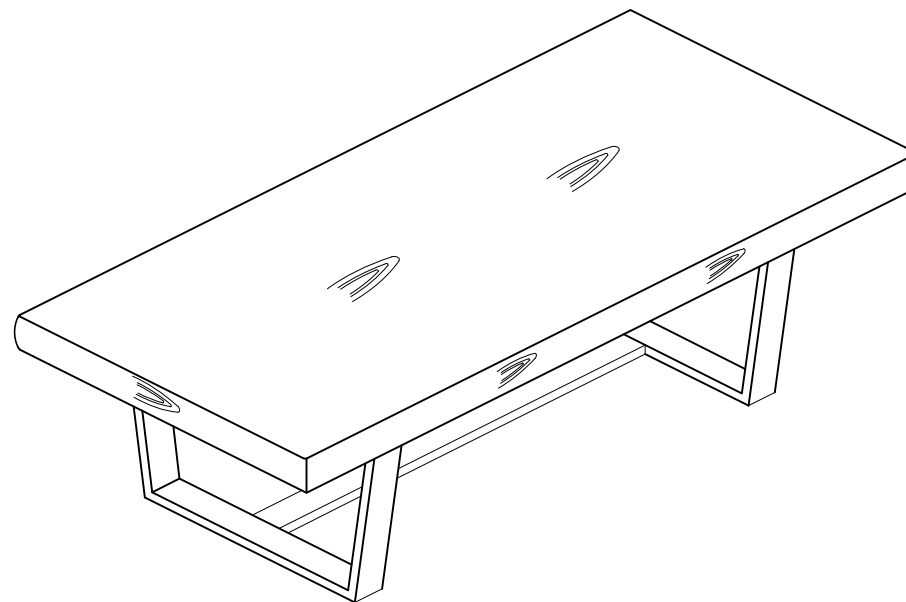
1/2025

Hardware List

Step	Code	Description	Q'TY
1	A	Bolt M6X10mm 	2Pcs
1	B	Allen Key 4mm 	1Pc
2	C	Flat Washer Ø16X1.5mm 	4Pcs
		Spring Washer Ø13X2.5mm 	4Pcs
		Bolt M8X40mm 	4Pcs
2	D	Allen Key 6mm 	1Pc

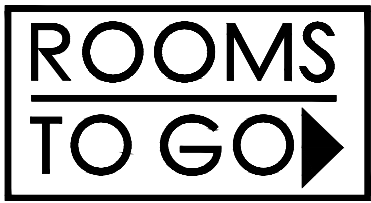
Part List

Step	Code	Description	Q'TY
1	1	Frame 	2Pcs
1	2	Connect tube 	1Pc
2	3	Top 	1Pc



Hardware Pack Location(s):

Coffee table, SKU# 22122282
 SKU# 22122294



Assembly Instructions

FRNR

2128-05

2129-05

Coffee table

SKU# 22122282

SKU# 22122294

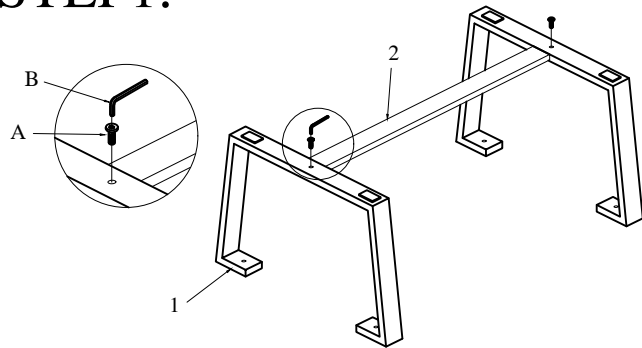
Manufactured By FRNR For Rooms To Go

Version: 1.0

1/2025

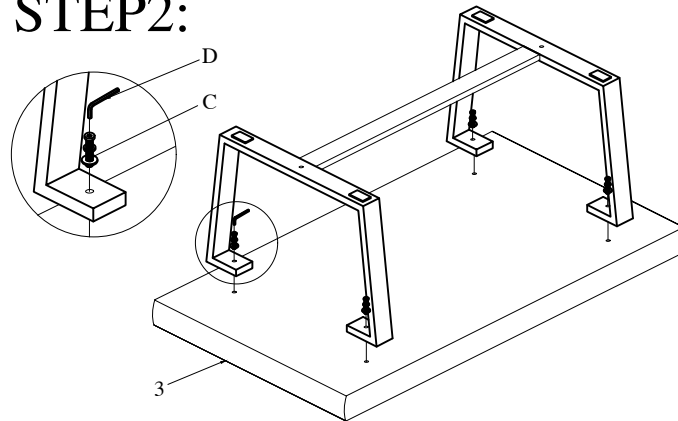
***** Caution:** Please read all instructions carefully before starting the assembly process. These parts are cumbersome and heavy. Therefore, two people are recommended in order to prevent personal injury and insure the parts are not damaged during the assembly

STEP1:



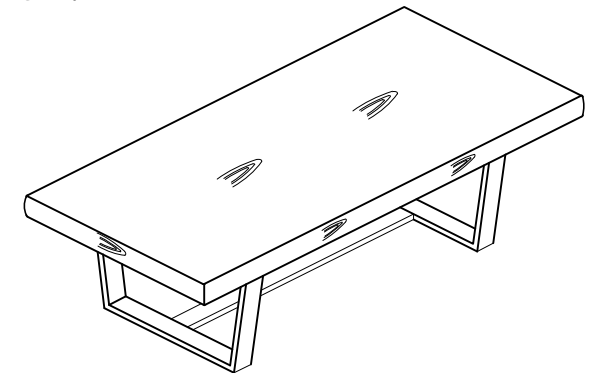
Lay the metal frames upside down, on a carpeted or protective surface, to avoid damage. Attach the stretch between the two frames by using the provided screws

STEP2:



Lay the table top upside down, on a carpeted or protective surface, to avoid damage. Attach the legs, using the provided screws and washers, aligning the holes, into the threaded inserts, tighten securely.

Finsh:



Stand the table upright.