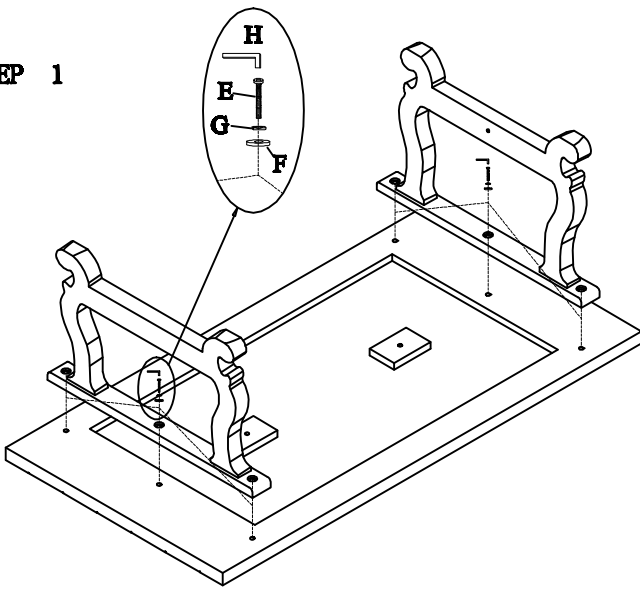


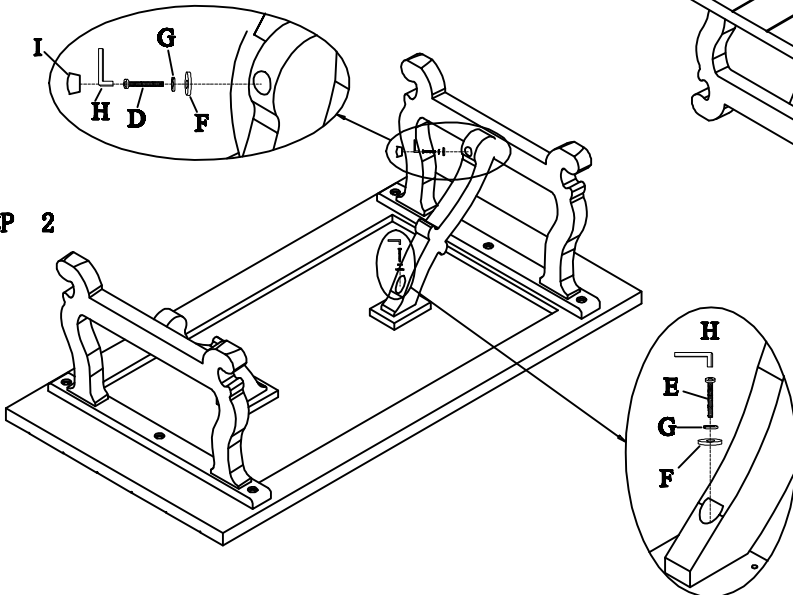
**Thank you for purchasing this quality product. Be sure to check all packing material carefully for small parts that may have come loose inside the carton during shipment. (Note: Loosely thread all screws/bolts first. Once the item is assembled then completely tighten.)**

TOOLS REQUIRED				HARDWARE LIST:				
PARTS LIST:				No.	Sketch	Description	Size	Quantity
No.	Description	Sketch	Quantity	No.	Sketch	Description	Size	Quantity
A	Top Shelf		1	D		Bolt	ø5/16" * 2-1/2"	2
B	Leg Frame		2	E		Bolt	ø5/16" * 1-1/2"	8
C	Draw Bar		2	F		Flat Washer	ø5/16" * 3/4"	10
				G		Lock Washer	ø5/16"	10
				H		Allen Wrench	M5	1
				I		Cork	ø24*12*21mm	2

**STEP 1**



**STEP 2**



**STEP 3**

