
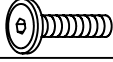

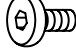

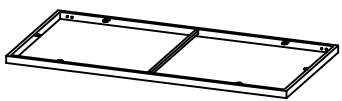


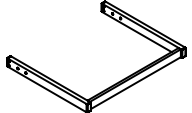
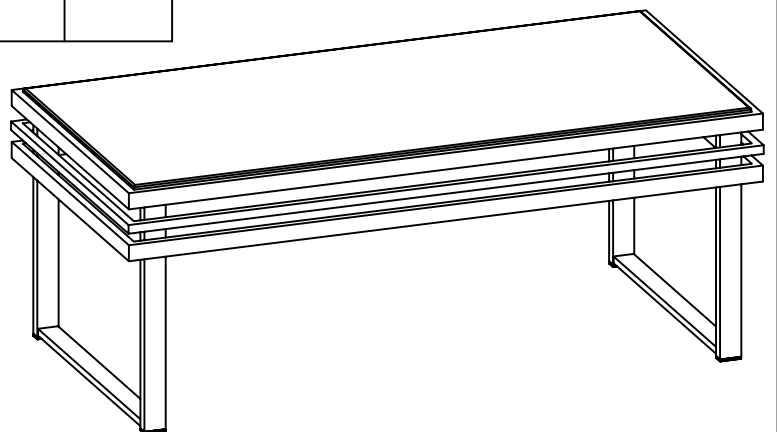


Step	Code	Hardware	QTY
	A	Allen Key 4mm 	1 Pc
1	B	Bolt 1/4" x 20 x 1-1/8" 	8 Pcs
2	B	Bolt 1/4" x 20 x 1-1/8" 	8 Pcs
3	C	Bolt 1/4" x 20 x 1/2" 	4 Pcs

Parts List

NO	Description	Sketch	QTY
①	Table Top		1 Pc
②	Top Frame		1 Pc
③	2nd Frame (16mmSQ)		1 Pc
④	3rd Frame		1 Pc
⑤	Side Frame		2 Pcs

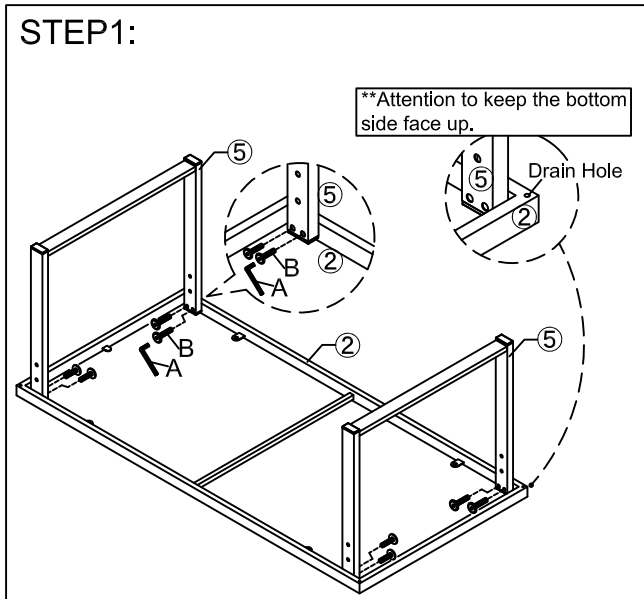


Hardware Pack Location(s):

COFFEE TABLE, SKU# 22129034

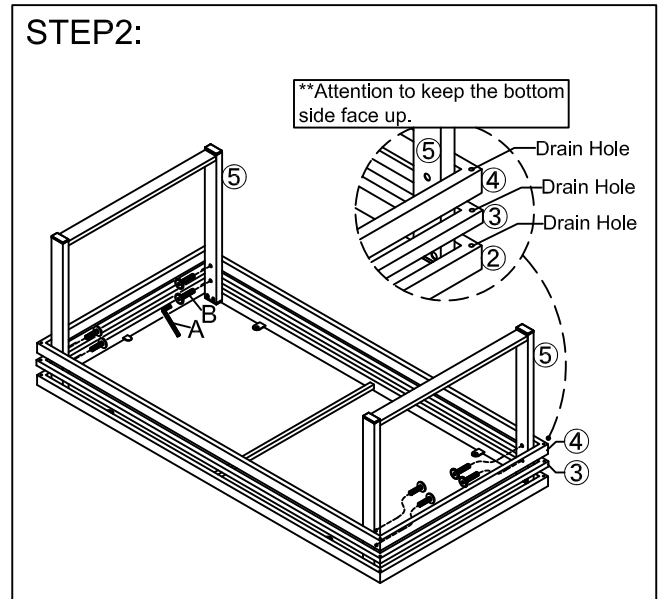
***Caution: Please read all instructions carefully before starting the assembly process. These parts are cumbersome and heavy. Therefore, two people are recommended in order to prevent personal injury and insure the parts are not damaged during the assembly.

STEP1:



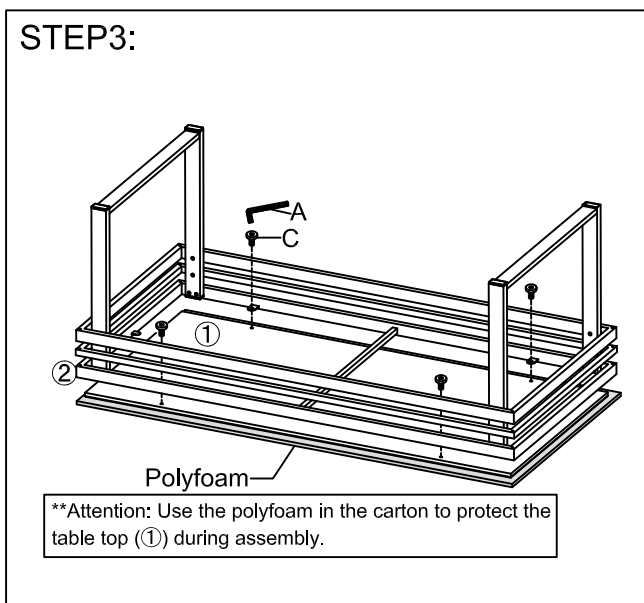
Assembly side frames (5) to top frame (2) with bolt (B) by use of Allen key (A).

STEP2:

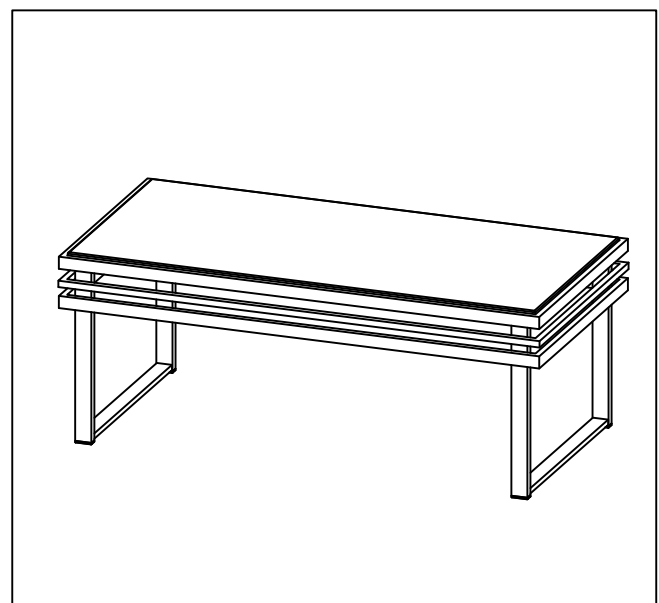


Assembly 2nd frame (3) & 3rd frame (4) to side frames (5) with bolt (B) by use of Allen key (A).

STEP3:



Assembly top frame (2) to table top (1) with bolt (C) by use of Allen key (A).



Assembly finish.