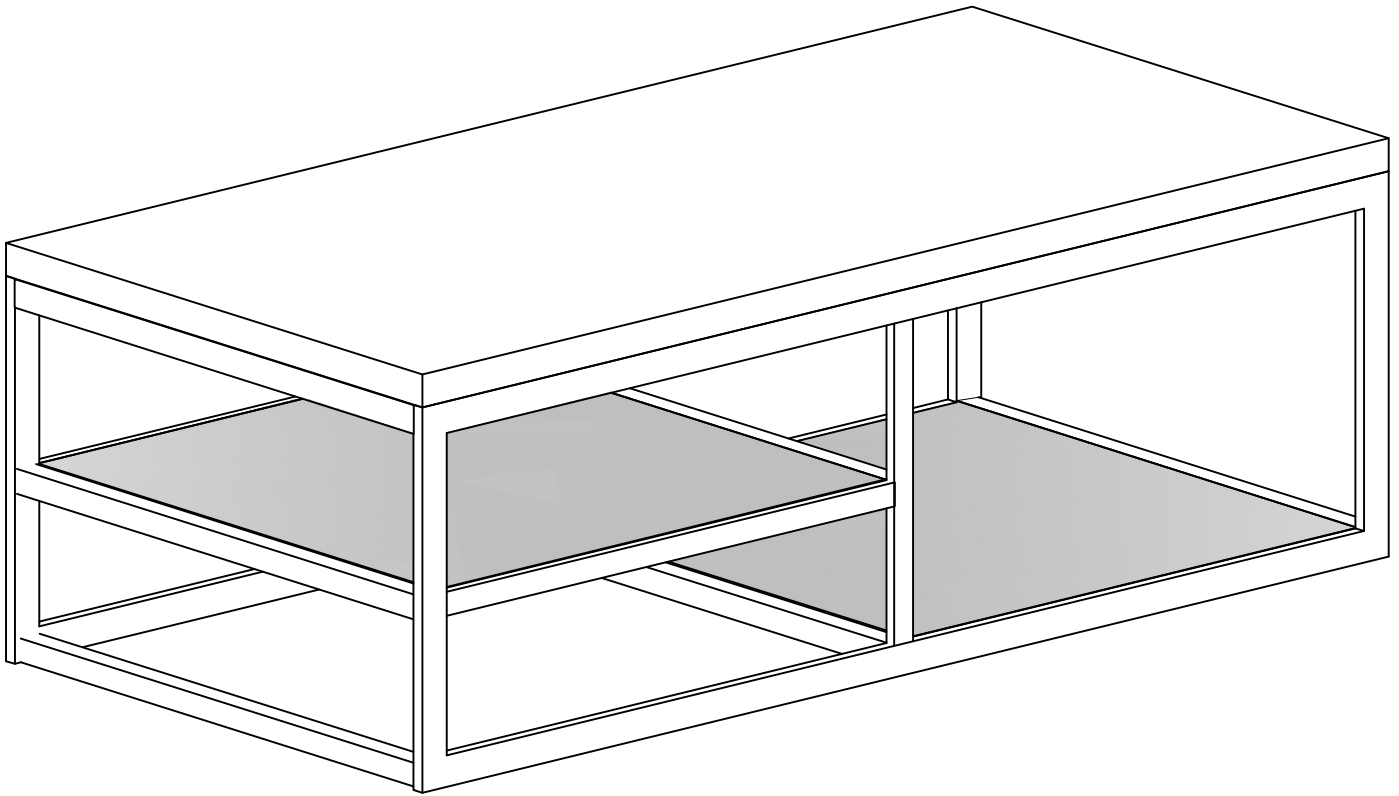




Assembly Instructions

TCHI JW347-00 RET. COCKTAIL TABLE SKU#22103472



Hardware Pack Location(s):

RET. COCKTAIL TABLE SKU#22103472



Assembly Instructions

TCHI JW347-00 RET. COCKTAIL TABLE SKU#22103472

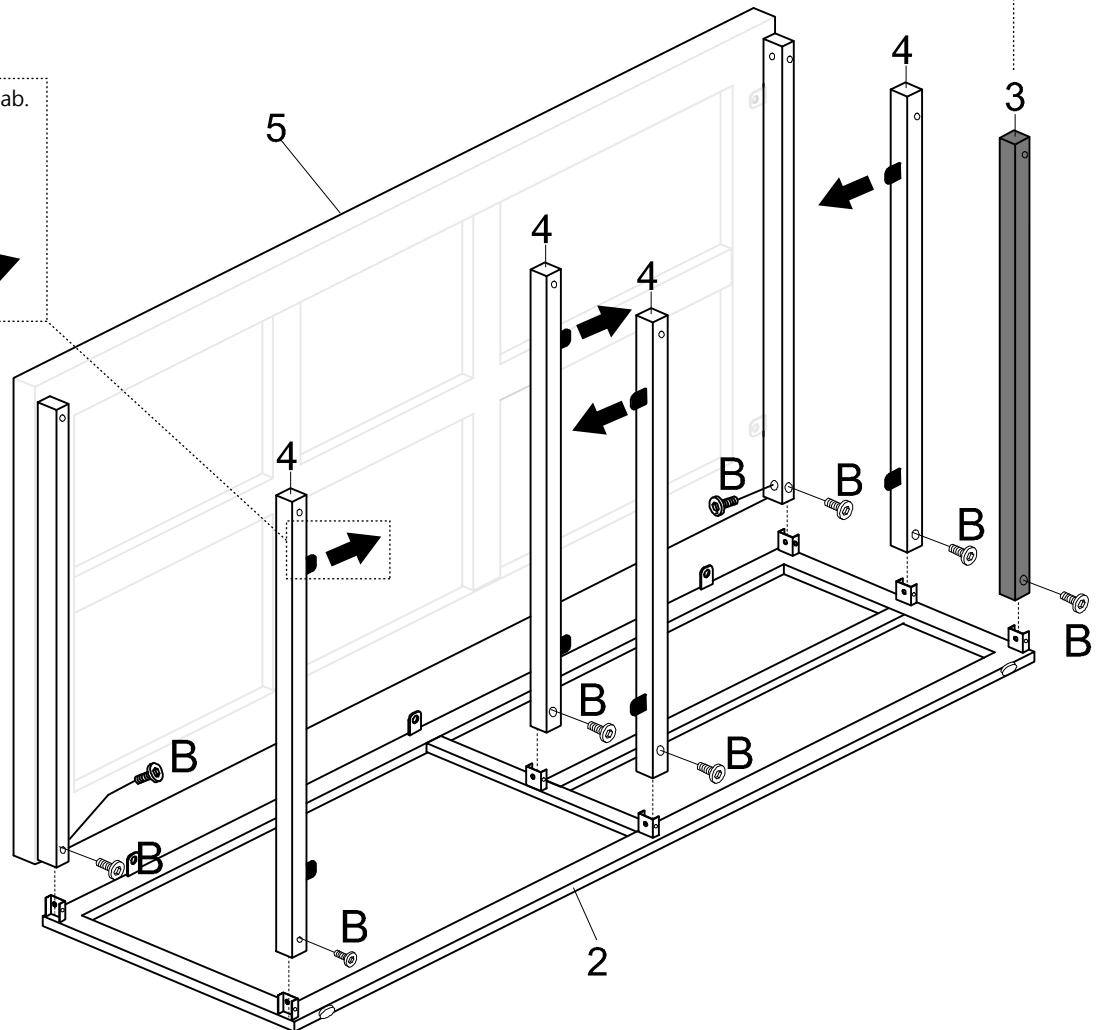
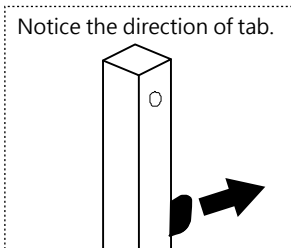
***Caution: Please read all instructions carefully before starting the assembly process. These parts are cumbersome and heavy. Therefore, two people are recommended in order to prevent personal injury and insure the parts are not damaged during the assembly.

Code	PARTS		Q'TY
1		Frame	1PC
2		Frame	1PC
3		Connector (Without tabs)	1PC
4		Connector (With tabs)	4PCS
5		Table top	1PC
6		Shelf	2PCS

Step	Code	Hardware		Q'TY
	A		Allen key 4X66X25mm	1PC
1	B		Bolt 1/4 x8 x1/2"L	9PCS
2	B		Bolt 1/4 x8 x1/2"L	9PCS
3	C		Screw Ø4.5x20MM	6PCS
4	D		Screw Ø4.5x12MM	8PCS

Attention:
This is the connector
that's WITHOUT tabs

STEP 1:

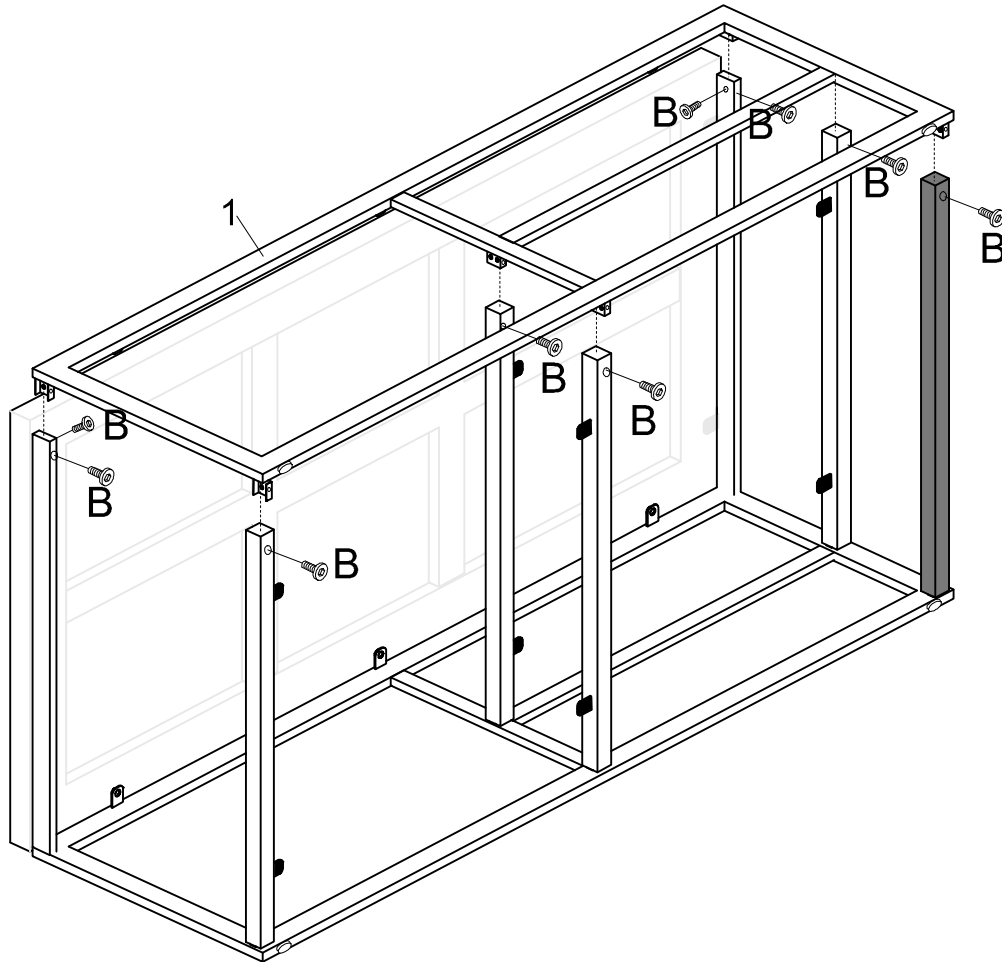




Assembly Instructions

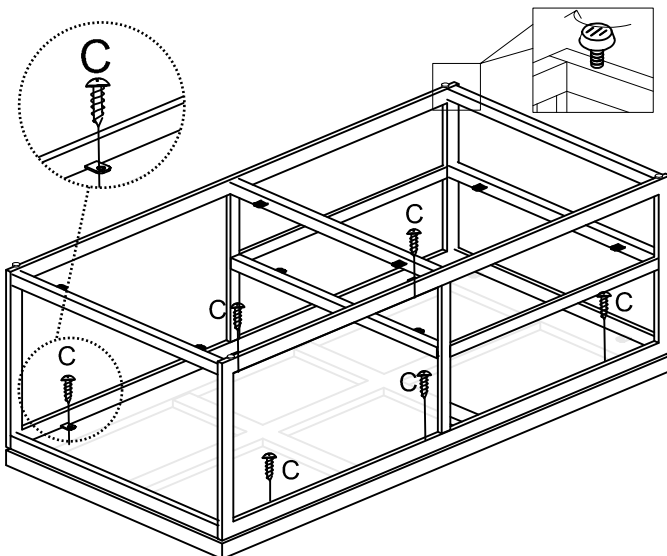
TCHI JW347-00 RET. COCKTAIL TABLE SKU#22103472

STEP 2:



STEP 3:

The table is turned upside down in this step



STEP 4:

Turn the table upright and drop the shelves into the framework. *Instead of just laying the shelves onto the padded tabs, if you wish to further secure the shelves to the metal framing, remove the pre-attached cushioning pads on tabs and fasten the screws as illustrated.*

