



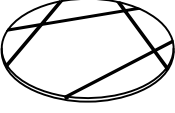
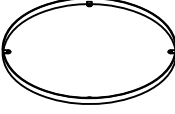
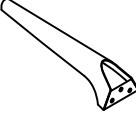
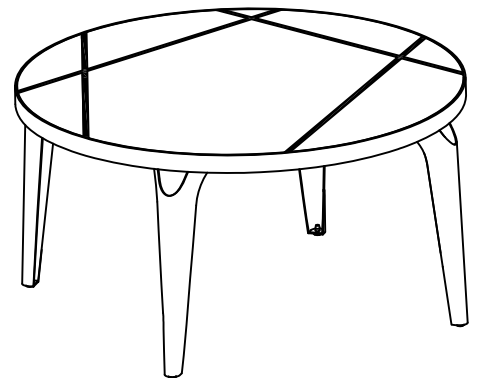


Step	Code	Hardware	QTY
	A	Allen Key 4mm 	1 Pc
1	B	Bolt 1/4"x 20 x 1/2" 	4 Pcs
2	B	Bolt 1/4"x 20 x 1/2" 	12 Pcs
3	C	Foot Nail 	4 Pcs

Parts List

NO	Description	Sketch	QTY
①	Table Top (φ719mm)		1 Pc
②	Top Frame (φ726mm)		1 Pc
③	Leg (L: 359mm)		4 Pcs

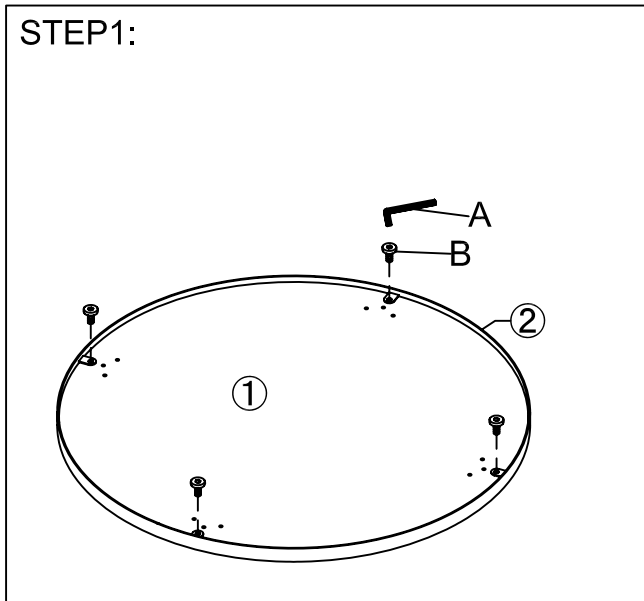


Hardware Pack Location(s):

15" Height C/T, SKU# 22133855

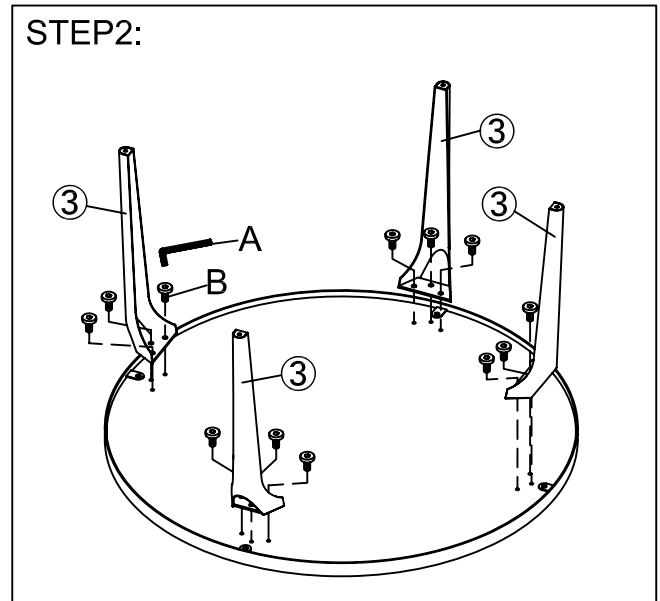
***Caution: Please read all instructions carefully before starting the assembly process. These parts are cumbersome and heavy. Therefore, two people are recommended in order to prevent personal injury and insure the parts are not damaged during the assembly.

STEP1:



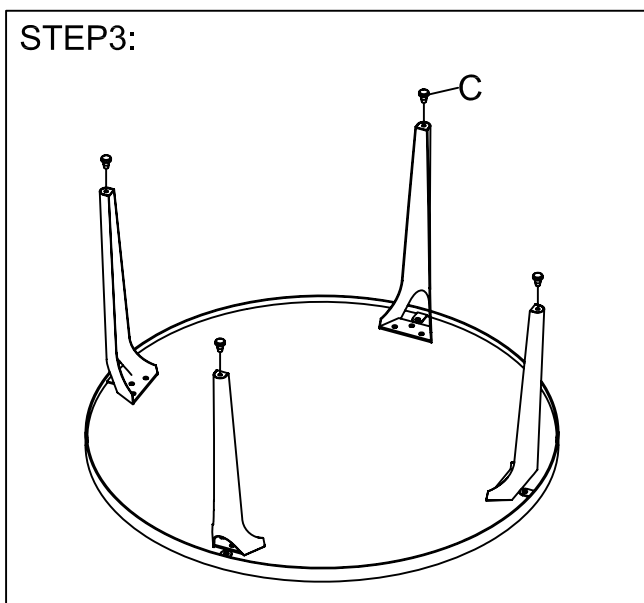
Assembly table top (1) to top frame (2) with bolt (B) by use of Allen key (A).

STEP2:



Assembly legs (3) to table top (1) with bolt (B) by use of Allen key (A).

STEP3:



Insert foot nail (C) into the hole on leg as shown in illustration.