





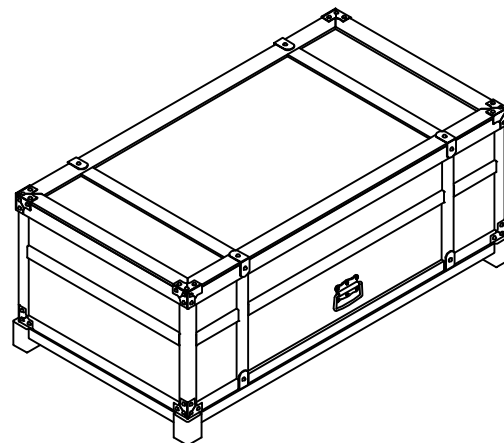
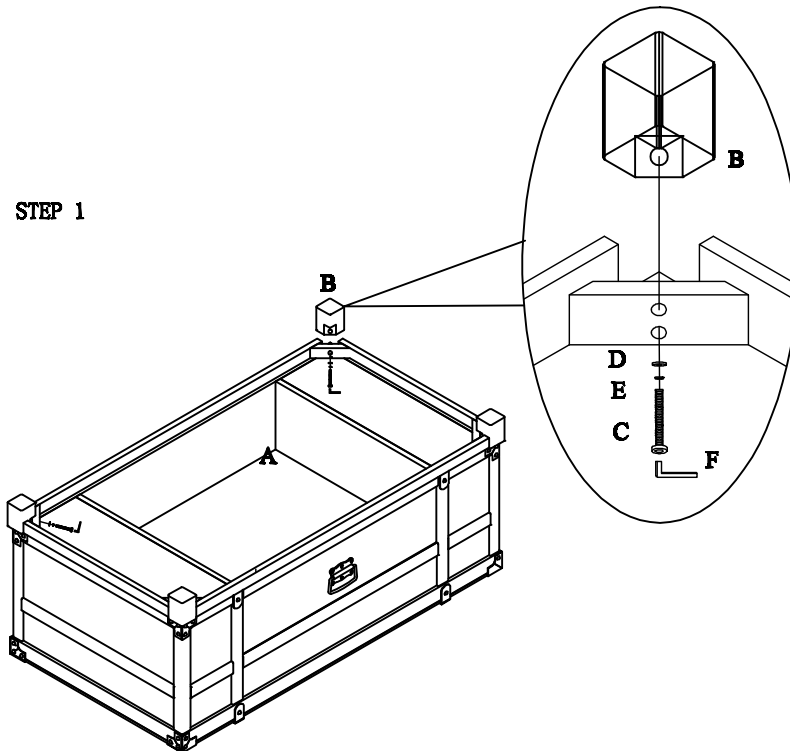


Thank you for purchasing this quality product. Be sure to check all packing material carefully for small parts that may have come loose inside the carton during shipment.(Note:Loosely thread all screws/bolts first. Once the item is assembled then completely tighten.)

TOOLS REQUIRED				HARDWARE LIST:				
PARTS LIST:				No.	Sketch	Description	Size	Quantity
No.	Description	Sketch	Quantity	C		Bolt	$\phi \frac{5}{16}'' * 2''$	4
A	Top		1	D		Flat Washer	$\phi \frac{5}{16}'' * \frac{3}{4}''$	4
B	Leg		4	E		Lock Washer	$\phi \frac{5}{16}''$	4
				F		Allen Wrench	M5	1

STEP 1



STEP 2