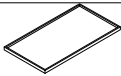
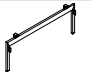

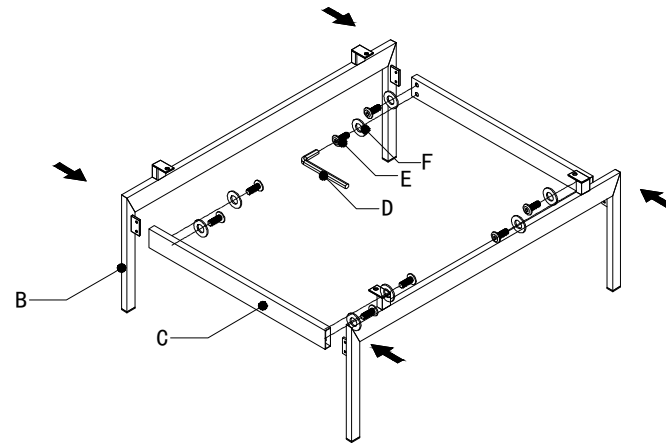





PART LIST:

NO.	DESCRIPTION	PART PHOTO	QTY	NO.	DESCRIPTION	PART PHOTO	QTY
A	TOP		1PC				
B	SIDE FRAME		2PCS				
C	CONNECTING		2PCS				

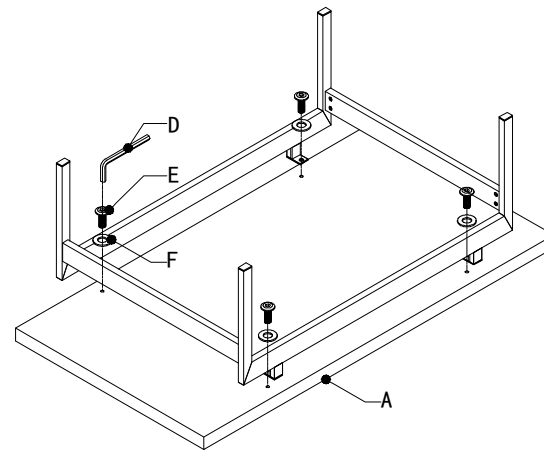
STEP 1



HARDWARE LIST :

NO.	DESCRIPTION	PART PHOTO	QTY	NO.	DESCRIPTION	PART PHOTO	QTY
D	φ4		1PC				
E	M6*16		12PCS				
F	φ (13-8) *1.5		12PCS				

STEP 2



FINISH

