









Assembly Instructions

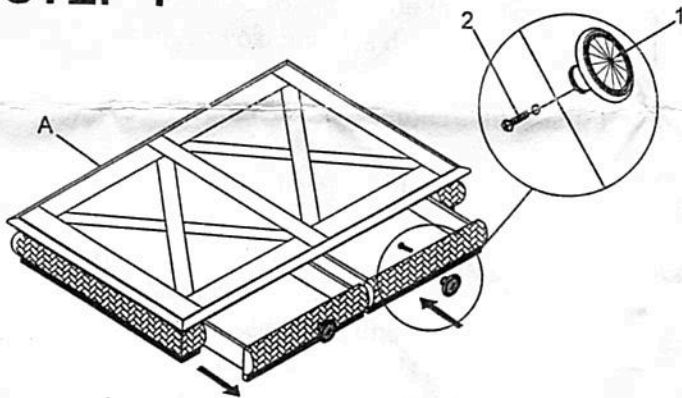
YUYU N938-1 COCKTAIL TABLE SKU #:22139388

Thank you for purchasing this quality product. Be sure to check all packing materials carefully for small parts, which may have come loose inside the carton during shipment. Identify and count all parts and compare with the **HARDWARE LIST** below.

NO.	PARTS LIST		Q' TY
A		Table Top	1
B		Bottom shelf	1
C		Posts	4
D		Bun feet	4

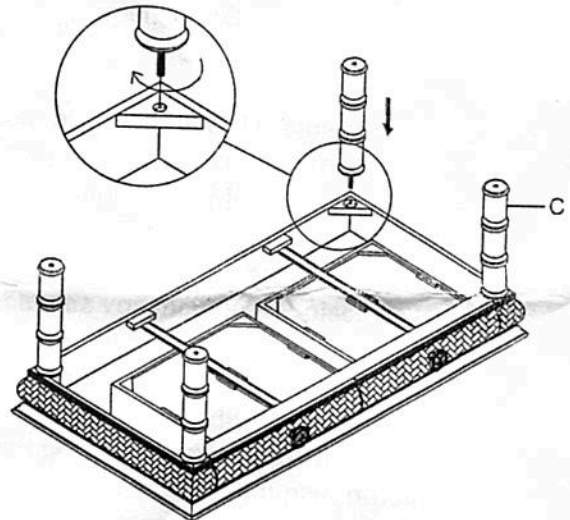
NO.	Hardware List		Q' TY
1		Knob	2
2		Bolt	2

STEP 1



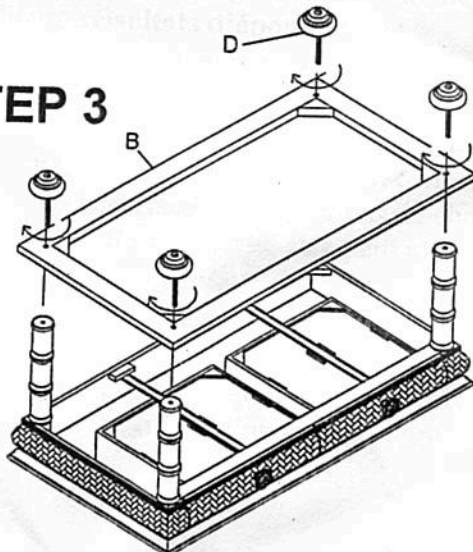
1. Pull out the drawers from the table to assemble the knob.

STEP 2



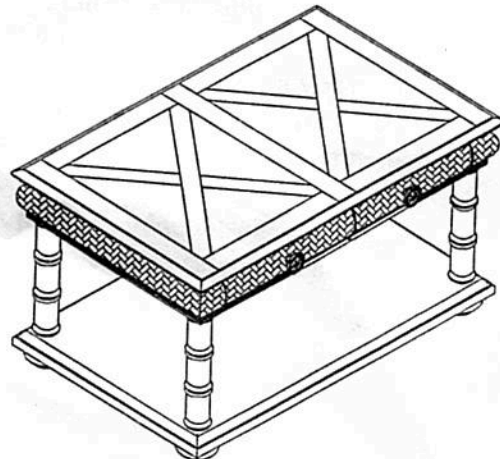
2. Turn the table top face down on a smooth soft surface to prevent damage. Attach each post to the bottom of the table.

STEP 3



3. Attach bottom shelf and bun feet to the posts.

COMPLETE



4. Place assembled table in upright position. Put the drawers back into drawer frame.